

# SHOPPING TROLLEYS SHELTER

ZAŠČITNI NADSTREŠEK ZA VOZIČKE  
ZAŠTITNA KUĆICA ZA KOLICA ZA KUPNJU



## SHOPPING TROLLEYS SHELTER EURO-T



*Shelter with frame  
to fasten trolleys  
(standard equipment):*

**Finish:** zinc plated + powder coated

**Construction:** steel

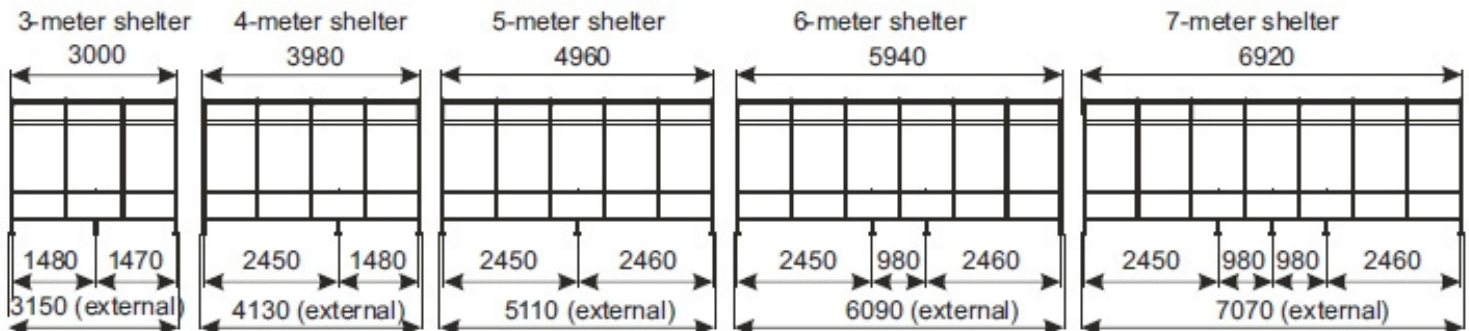
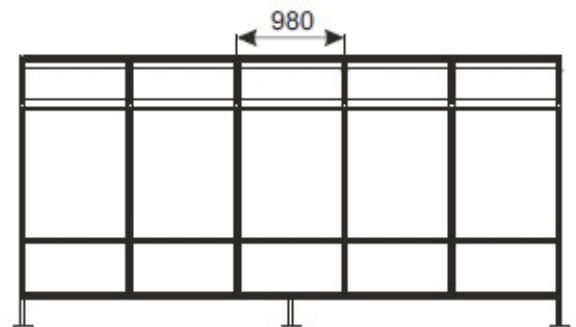
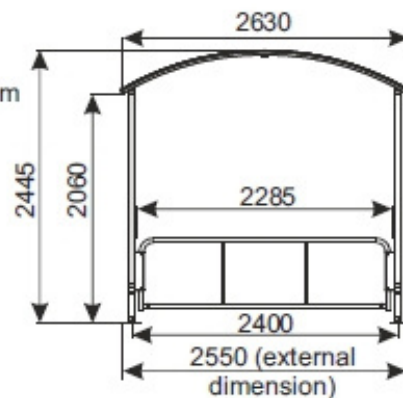
**Walls and roof:**

standard - chamber polycarbonate 6 mm  
optionally - solid polycarbonate 6 mm

**Standard colors:**

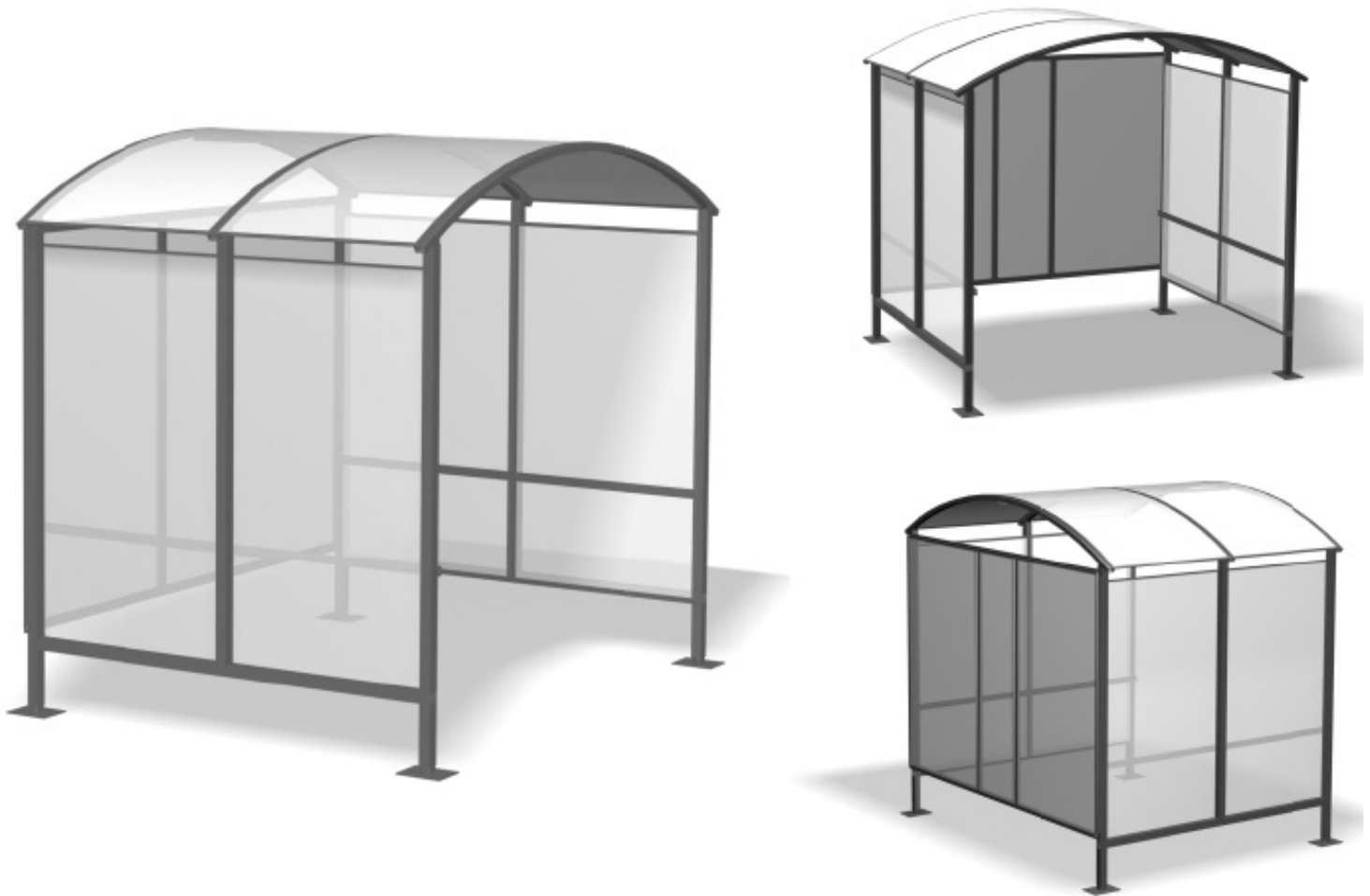
- RAL 9006 - light gray
- RAL 9007 - graphite
- RAL 3020 - red
- RAL 6024 - green
- RAL 5010 - blue

Other colors to be discussed.



PRODUCT NAME	FINISH	INDEX
3-meter shelter EURO-T	zinc plated + powder coated	919-344-193
4-meter shelter EURO-T	zinc plated + powder coated	919-344-194
5-meter shelter EURO-T	zinc plated + powder coated	919-344-195
6-meter shelter EURO-T	zinc plated + powder coated	919-344-196
7-meter shelter EURO-T	zinc plated + powder coated	919-344-197
Frame to fasten trolleys - standard equipment	zinc plated	919-350-868

## 2-METER SHELTER EURO-T




Shelter is intended to i.e. as a place for bikes, smoking area.

**Finish:** zinc plated + powder coated

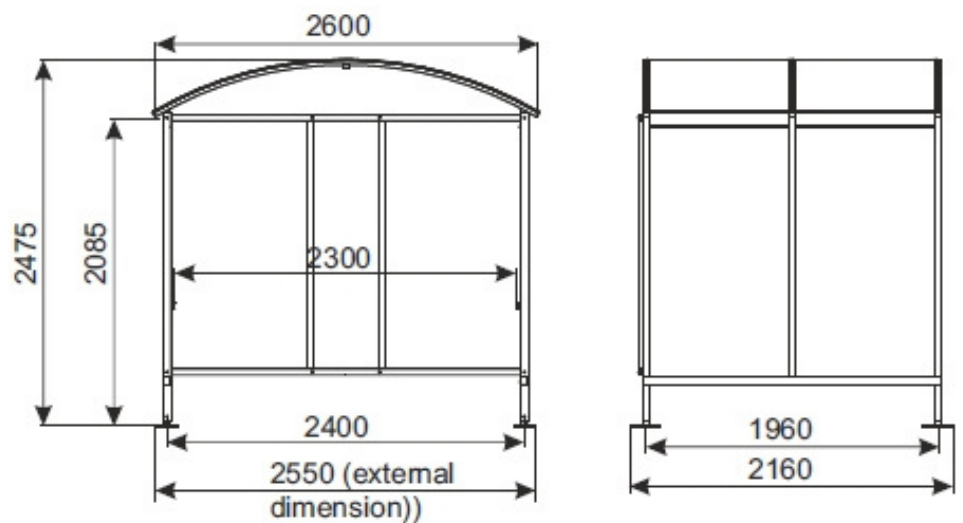
**Construction:** steel

**Walls and roof:** polycarbonate 6 mm

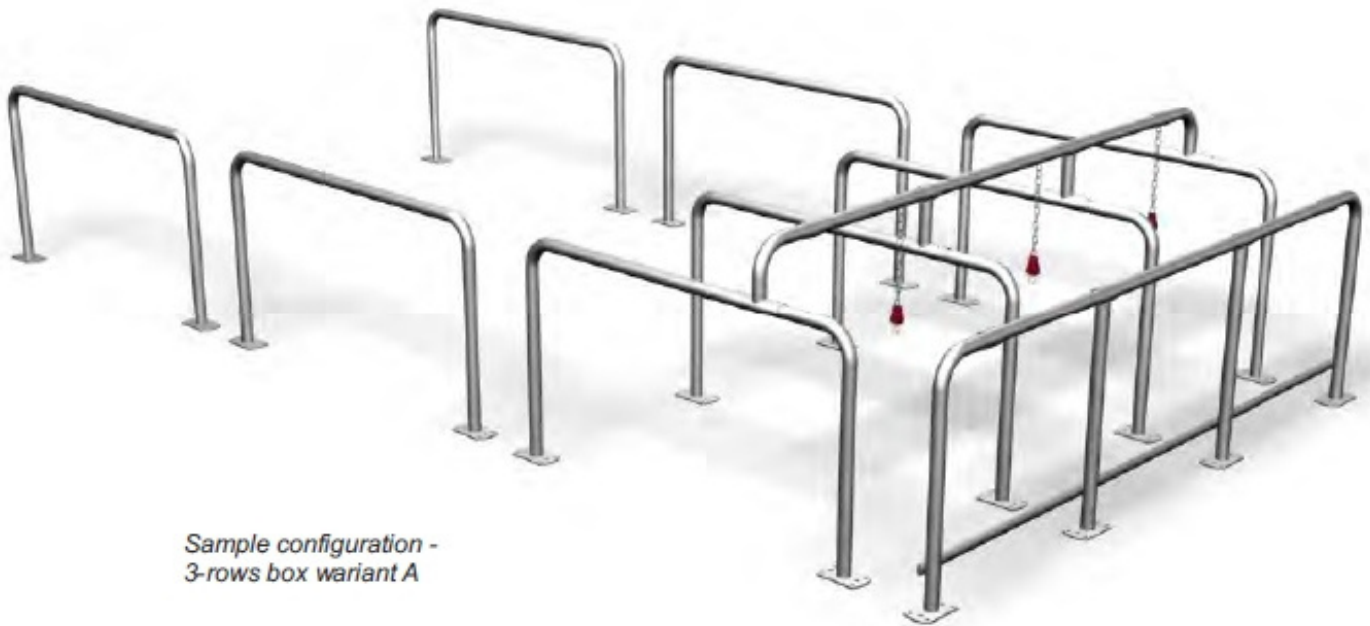
**Standard colors:**

-  RAL 9006 - light gray
-  RAL 9007 - graphite
-  RAL 3020 - red
-  RAL 6024 - green
-  RAL 5010 - blue

Other colors to be discussed.



## MODULAR BOX FOR TROLLEYS WARIANT A

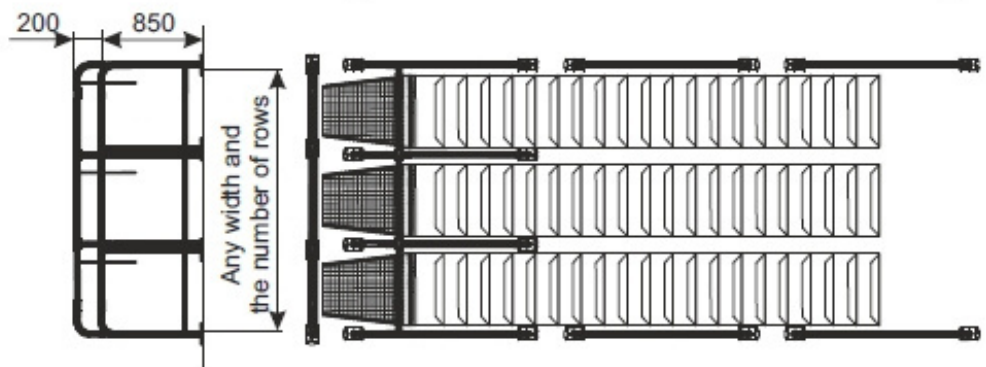
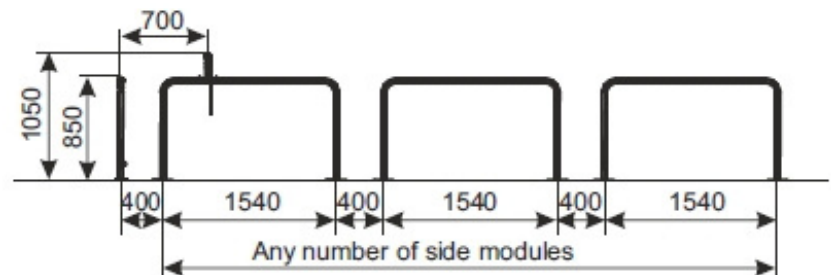


Sample configuration -  
3-rows box wariant A

Modular box for trolleys is used to park shopping and transport trolleys. The modular construction of the box allows for any configuration of the width, length and number of rows. That allows to adjust the box to the width and the planned amount of the trolley. Option A has modules that separate from each other rows of trolleys.

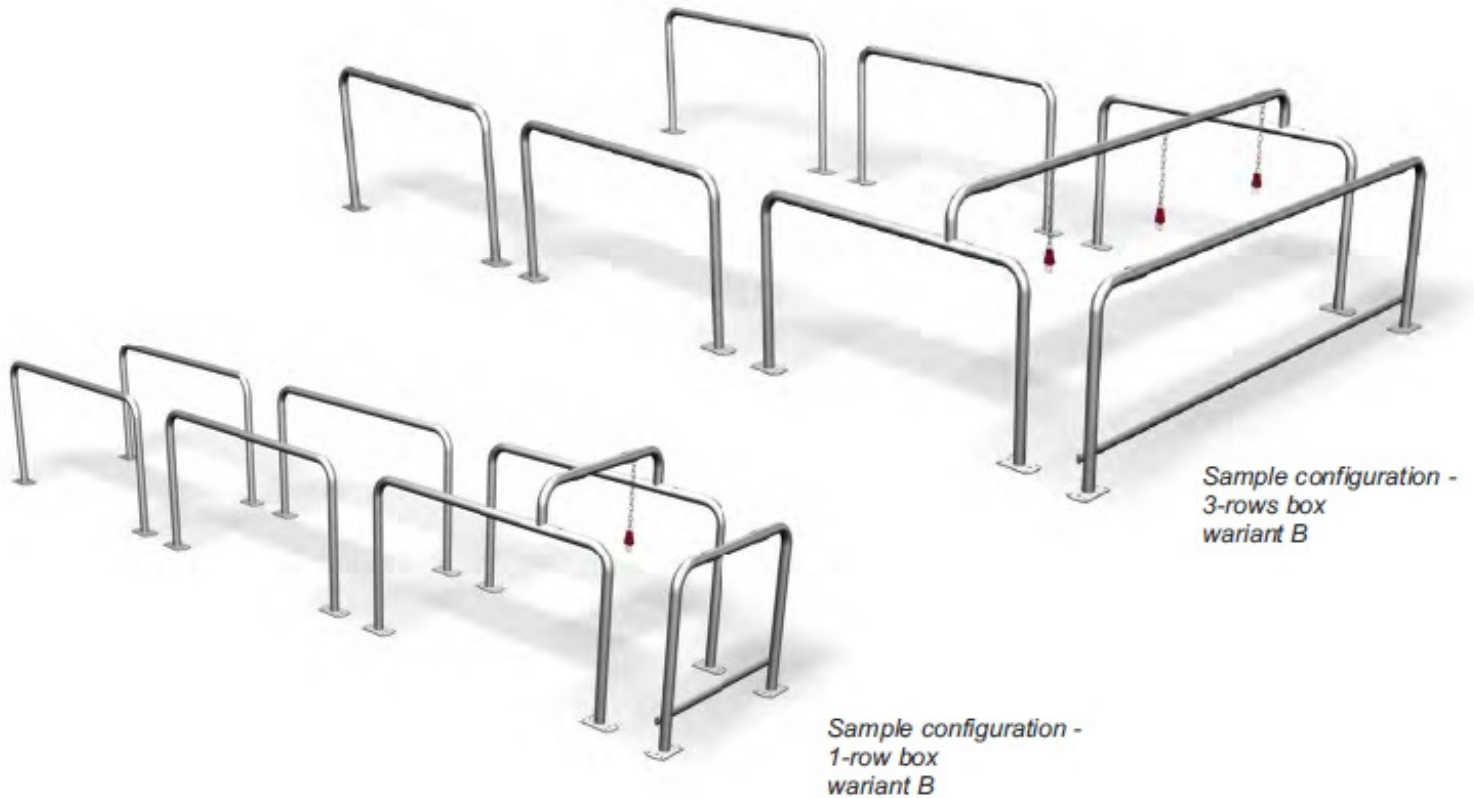
**Finish:** zinc plated and powder coated.

Modular box is available in two options of mounting to the ground:  
-with feet (bolted to the ground)  
-with anchos (concreted in the ground)





## MODULAR BOX FOR TROLLEYS WARIANT B



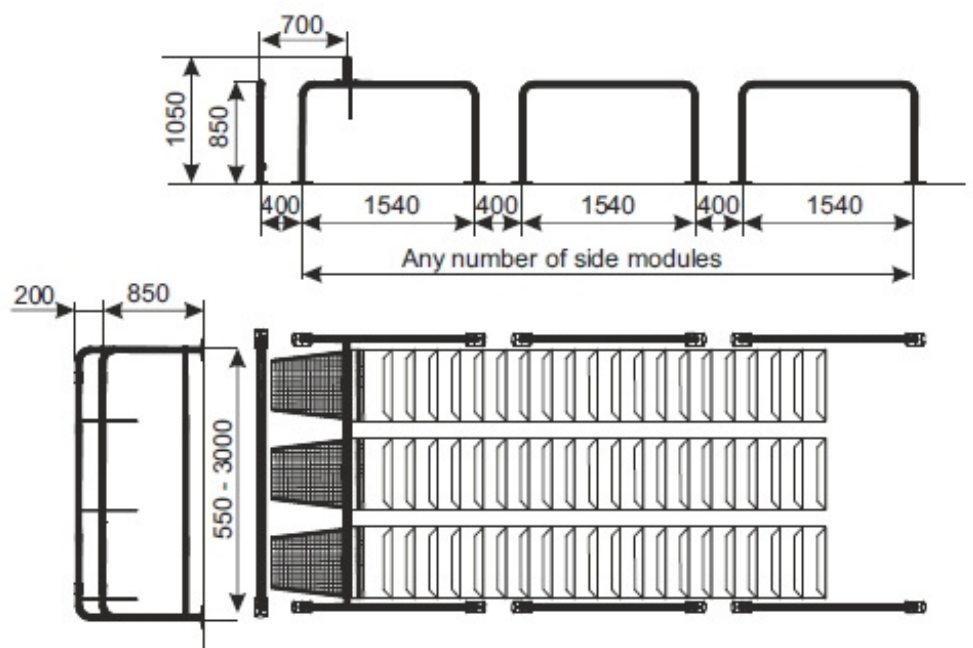
Modular box for trolleys is used to park shopping and transport trolleys. The modular construction of the box allows for any configuration of the width, length and number of rows. That allows to adjust the box to the width and the planned amount of the trolley.

The possibility of ordering the box with the width from 550 mm to 3000 mm allows for adjust the box to 1,2,3 or 4 rows with trolleys.

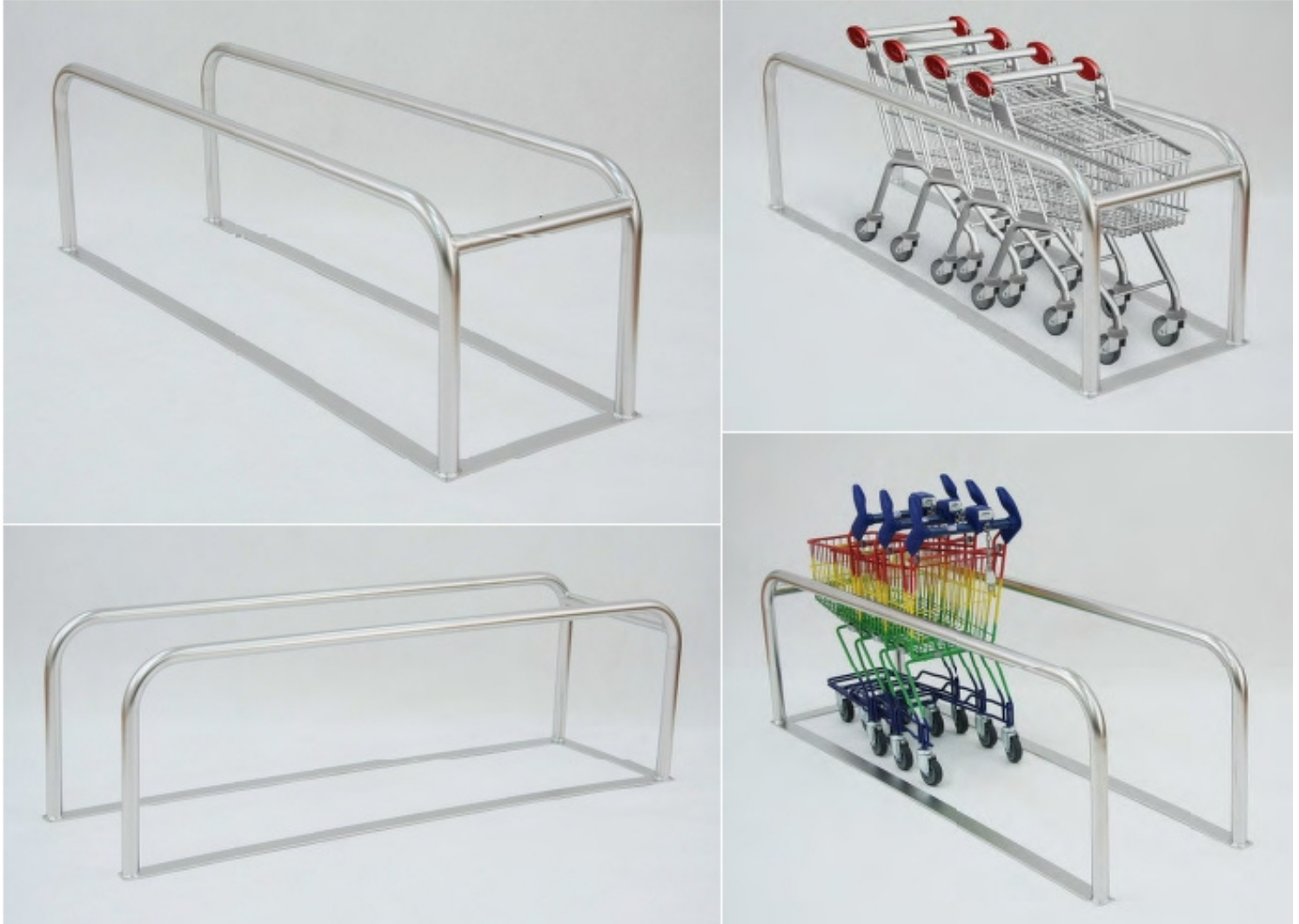
**Finish:** zinc plated and powder coated.

Modular box is available in two options of mounting to the ground:

- with feet (bolted to the ground)
- with anchors (concreted in the ground)



## BOX (PARKING) MADE OF STAINLESS DEDICATED TO KIDS'TROLLEYS



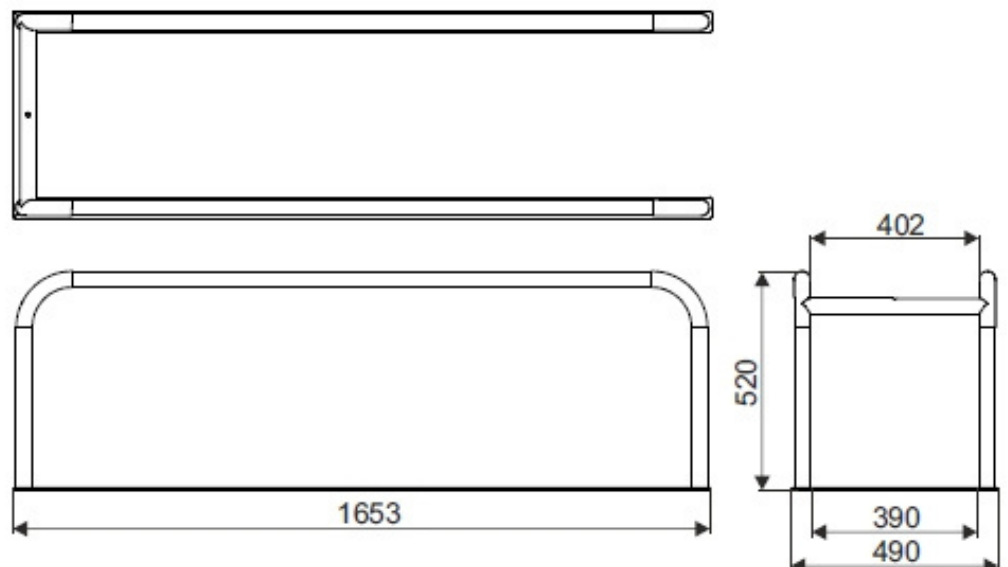
Box is intended to park small kids' trolleys with maximum width 390 mm: Avant MINI 20, Avant P20, MINI 22 L.

**Standard coating:** stainless steel and electropolishing.

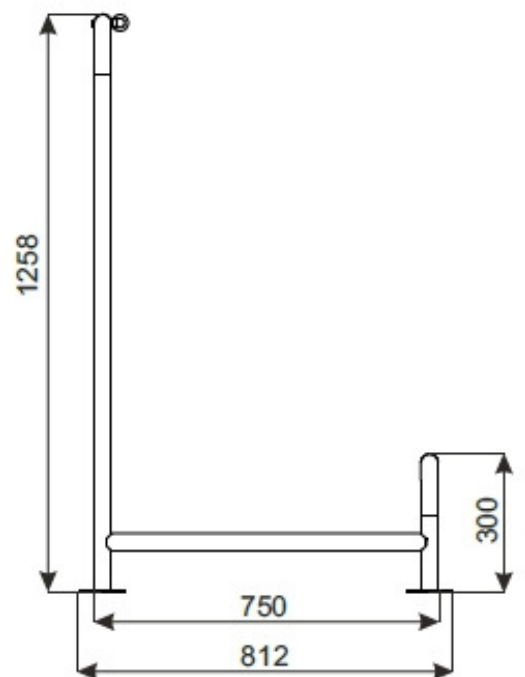
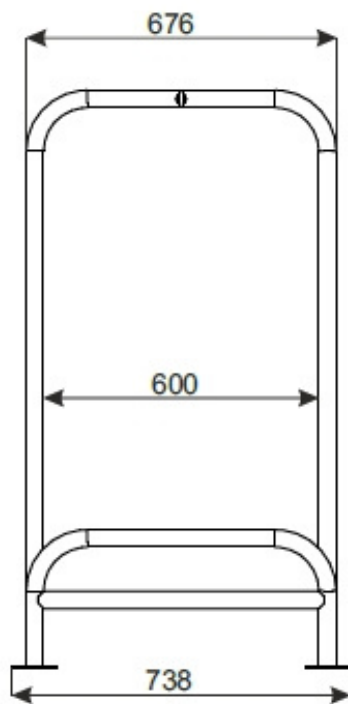
**Technical data:** Box is made of tube and the base of flat bar; it's intended for one line of trolleys.

It's possible to fix starting key to the fixing of trolleys' column.

Fixing to the ground is maintained by its own by the usage of glue or adhesive tape.



BOX FOR TROLLEYS



**Finish:** stainless steel.  
**Technical data:** Box made of pipe  
 screwed to the floor with screws,  
 designed for one row of trolley.

**START KEY L-1000MM (LP-100)/L-1200MM  
(TO FASTEN COLUMN OF TROLLEYS)**



**Lenght:** 1000 mm lub 1200 mm,  
**Elements:** chain, fasten lock, fitting (assembling),  
**Finish:** zinc plated.