

OBEŠALNE KLJUKICE

katalog

TOPIKA d.o.o.
Slovenija

+386 41 696 270

info@topika.si

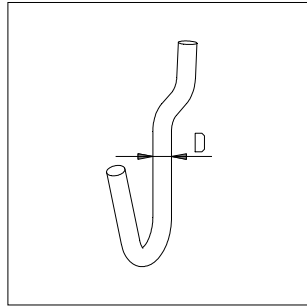
www.topika.si

Fittings for pegmetal panels



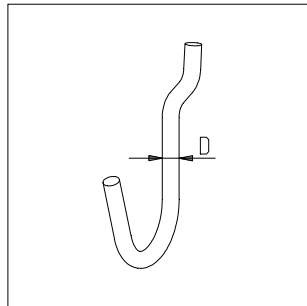
Fittings for pegmetal panels

1873 Hooks for perforated metal panels, bright zinc



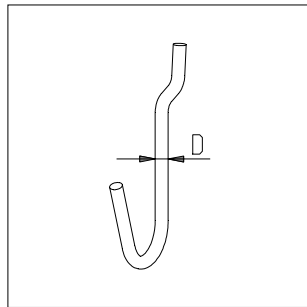
Ref. no.	L	D	B	ZA	VE
110 000 000 01 20	35	3,5	-	-	100
110 ... fits LA 15 mm and 25 mm					

1874 Hooks for perforated metal panels, bright zinc



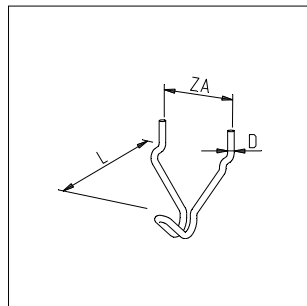
Ref. no.	L	D	B	ZA	VE
110 020 000 01 20	45	3,5	-	-	100
110 ... fits LA 15 mm and 25 mm					

1875 Hooks for perforated metal panels, bright zinc



Ref. no.	L	D	B	ZA	VE
110 030 000 01 20	50	3,5	-	-	100
110 ... fits LA 15 mm and 25 mm					

1938 Hooks for perforated metal panels, bright zinc



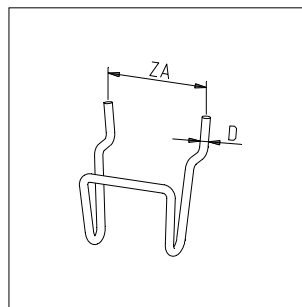
Ref. no.	L	D	B	ZA	VE
110 200 000 01 20	40	2,5	-	-	100
110 ... fits LA 15 mm and 25 mm					



1876 Hooks for perforated metal panels, bright zinc



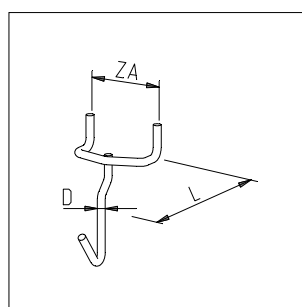
Ref. no.	L	D	B	ZA
110 220 000 01 20	35	2,0	-	-
110 ... fits LA 15 mm and 25 mm				100



1804/1800 Hanger with bridge, bright zinc



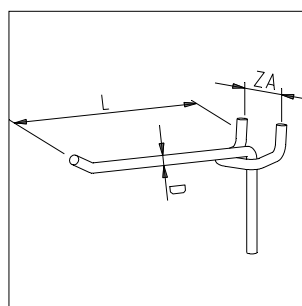
Ref. no.	L	D	B	ZA	VE
111 000 000 01 20	35	2,5	-	15	100
123 100 000 01 20	35	2,5	-	25	100
111 ... fits LA 15 mm,					
123 ... fits LA 25 mm					



1883 Single prong hook, Ø 3,5 mm, bright zinc



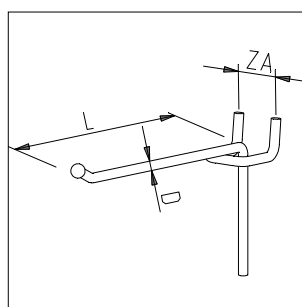
Ref. no.	L	D	B	ZA	VE
111 012 000 01 22	60	3,5	-	15	200
111 013 000 01 22	80	3,5	-	15	200
111 014 000 01 22	100	3,5	-	15	200
111 015 000 01 22	120	3,5	-	15	200
111 016 000 01 22	140	3,5	-	15	200
111 017 000 01 22	160	3,5	-	15	200
111 018 000 01 22	200	3,5	-	15	200
111 ... fits LA 15 mm					



1883/KSingle prong hook with ball end, Ø 3,5 mm, bright zinc

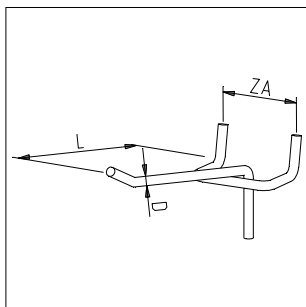


Ref. no.	L	D	B	ZA	VE
111 012 851 01 17	60	3,5	-	15	50
111 013 851 01 17	80	3,5	-	15	50
111 014 851 01 17	100	3,5	-	15	50
111 015 851 01 17	120	3,5	-	15	50
111 016 851 01 17	140	3,5	-	15	50
111 017 851 01 17	160	3,5	-	15	50
111 018 851 01 17	200	3,5	-	15	50
111 ... fits LA 15 mm					



Fittings for pegmetal panels

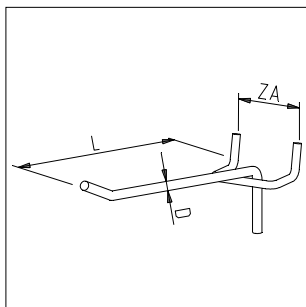
1893/1894 Single hook, Ø 3,5 mm, bright zinc



Ref. no.	L	D	B	ZA	VE
111 021 000 01 22	60	3,5	-	30	200
111 022 000 01 22	80	3,5	-	30	200
111 023 000 01 22	100	3,5	-	30	200
111 024 000 01 22	120	3,5	-	30	200
111 025 000 01 22	140	3,5	-	30	200
111 026 000 01 22	160	3,5	-	30	200
111 028 000 01 22	200	3,5	-	30	200
112 021 000 01 22	60	3,5	-	25	200
112 022 000 01 22	80	3,5	-	25	200
112 023 000 01 22	100	3,5	-	25	200
112 024 000 01 22	120	3,5	-	25	200
112 025 000 01 22	140	3,5	-	25	200
112 026 000 01 22	160	3,5	-	25	200
112 028 000 01 22	200	3,5	-	25	200

111 ... fits LA 15 mm, 112 ... fits LA 25 mm

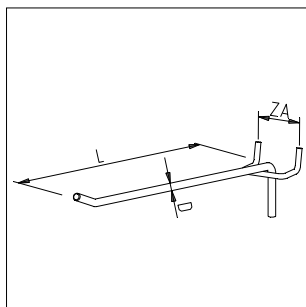
1795/1796 Single hook, Ø 4,0 mm, bright zinc



Ref. no.	L	D	B	ZA	VE
111 042 000 01 22	100	4,0	-	30	200
111 044 000 01 22	150	4,0	-	30	200
111 046 000 01 22	200	4,0	-	30	200
112 042 000 01 22	100	4,0	-	25	200
112 044 000 01 22	150	4,0	-	25	200
112 046 000 01 22	200	4,0	-	25	200

111 ... fits LA 15 mm, 112 ... fits LA 25 mm

1781/1791 Single hook, Ø 4,8 mm, bright zinc



Ref. no.	L	D	B	ZA	VE
111 051 000 01 20	150	4,8	-	30	100
111 053 000 01 20	200	4,8	-	30	100
111 055 000 01 20	250	4,8	-	30	100
111 056 000 01 20	300	4,8	-	30	100
111 057 000 01 20	350	4,8	-	30	100
112 051 000 01 20	150	4,8	-	25	100
112 053 000 01 20	200	4,8	-	25	100
112 055 000 01 20	250	4,8	-	25	100
112 056 000 01 20	300	4,8	-	25	100
112 057 000 01 20	350	4,8	-	25	100

111 ... fits LA 15 mm, 112 ... fits LA 25 mm

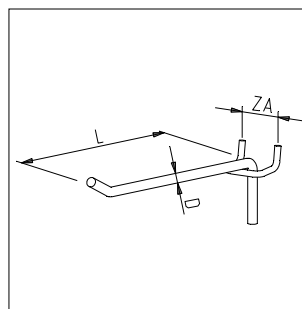


1929/1939 Single hook, heavy duty, Ø 6,0 mm, bright zinc



Ref. no.	L	D	B	ZA	VE
111 060 000 01 20	100	6,0	-	30	100
111 061 000 01 20	150	6,0	-	30	100
111 062 000 01 20	200	6,0	-	30	100
111 064 000 01 20	300	6,0	-	30	100
111 065 000 01 20	350	6,0	-	30	100
111 066 000 01 20	400	6,0	-	30	100
111 068 000 01 20	500	6,0	-	30	100
112 060 000 01 20	100	6,0	-	25	100
112 061 000 01 20	150	6,0	-	25	100
112 062 000 01 20	200	6,0	-	25	100
112 064 000 01 20	300	6,0	-	25	100
112 065 000 01 20	350	6,0	-	25	100
112 066 000 01 20	400	6,0	-	25	100
112 068 000 01 20	500	6,0	-	25	100

111 ... fits LA 15 mm, 112 ... fits LA 25 mm

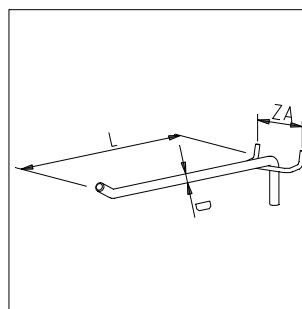


1924/1934 Extra heavy duty single hook, Ø 8,0 mm, bright zinc



Ref. no.	L	D	B	ZA	VE
111 082 000 01 20	200	8,0	-	45	100
111 083 000 01 20	300	8,0	-	45	100
111 085 000 01 20	400	8,0	-	45	100
111 087 000 01 20	500	8,0	-	45	100
112 082 000 01 20	200	8,0	-	50	100
112 083 000 01 20	300	8,0	-	50	100
112 085 000 01 20	400	8,0	-	50	100
112 087 000 01 20	500	8,0	-	50	100

111 ... fits LA 15 mm, 112 ... fits LA 25 mm

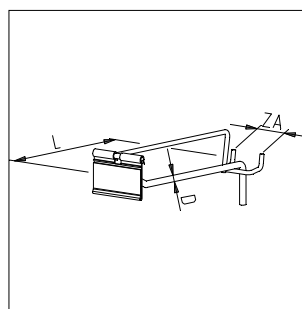


A1929/... Single prong hook with overarm and swinging ticket price holder, right zinc



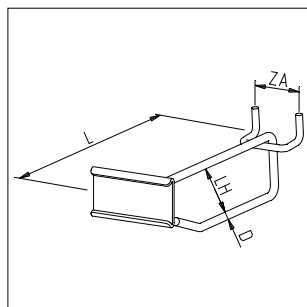
Ref. no.	L	D	B	ZA	VE
111 062 ... 01 20	200	6,0	-	30	0
111 064 ... 01 20	300	6,0	-	30	0
111 066 ... 01 20	400	6,0	-	30	0
112 062 ... 01 20	200	6,0	-	25	0
112 064 ... 01 20	300	6,0	-	25	0
112 066 ... 01 20	400	6,0	-	25	0

111 ... fits LA 15 mm, 112 ... fits LA 25 mm, Please specify ticket holder size. Refer to page 78.



Fittings for pegmetal panels

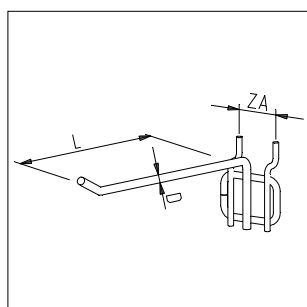
1631/1731 Single prong hook with price plate, Ø 4,0 mm, bright zinc



Ref. no.	L	D	LH	ZA	VE
111 144 695 01 20	200	4,0	20	30	100
112 144 695 01 20	200	4,0	20	25	100

111 ... fits LA 15 mm, 112 ... fits LA 25 mm, Ticket prize plate B = 45 mm, H = 25 mm

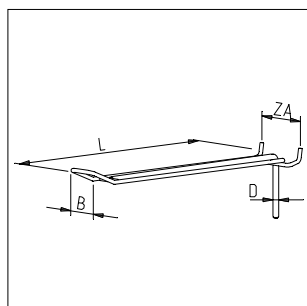
1624/1634 Single prong hook, Ø 4,8 mm, bright zinc



Ref. no.	L	D	B	ZA	VE
111 350 000 01 14	200	4,8	-	30	25
112 350 000 01 14	200	4,8	-	25	25

111 ... fits LA 15 mm, 112 ... fits LA 25 mm

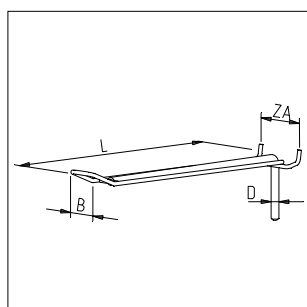
E2283/E2293 Heavy duty looped hook, fixed bridge, Ø 6,0/4,0 mm, bright zinc



Ref. no.	L	D	B	ZA	VE
113 261 000 01 20	300	6,0	28	45	100
113 264 000 01 20	400	6,0	28	45	100
114 261 000 01 20	300	6,0	28	50	100
114 264 000 01 20	400	6,0	28	50	100

113 ... fits LA 15 mm, 114 ... fits LA 25 mm

E2383/E2393 Heavy duty looped hook, fixed bridge, with central core, Ø 8,0/4,0 mm, bright zinc



Ref. no.	L	D	B	ZA	VE
113 281 000 01 20	300	8,0	28	45	100
113 283 000 01 20	400	8,0	28	45	100
114 281 000 01 20	300	8,0	28	50	100
114 283 000 01 20	400	8,0	28	50	100

113 ... fits LA 15 mm, 114 ... fits LA 25 mm



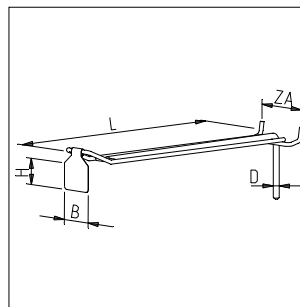
F2283G/F2293G Heavy duty looped hook with price flap, with central core, Ø 6,0/4,0 mm, bright zinc



Ref. no.	L	D	B	ZA	VE
113 261 132 01 20	300	6,0	28	45	100
113 263 132 01 20	400	6,0	28	45	100

114 261 132 01 20	300	6,0	28	50	100
114 264 132 01 20	400	6,0	28	50	100

113 ... fits LA 15 mm, 114 ... fits LA 25 mm, price flaps H = 27 mm, Other price flaps on request.



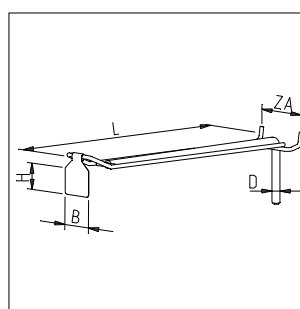
F2383G/F2393G Heavy duty looped hook with price flap, with central core, Ø 8,0/4,0 mm, bright zinc



Ref. no.	L	D	B	ZA	VE
113 281 132 01 20	300	8,0	28	45	100
113 283 132 01 20	400	8,0	28	45	100

114 281 132 01 20	300	8,0	28	50	100
114 283 132 01 20	400	8,0	28	50	100

113 ... fits LA 15 mm, 114 ... fits LA 25 mm, price flaps H = 27 mm, Other price flaps on request.



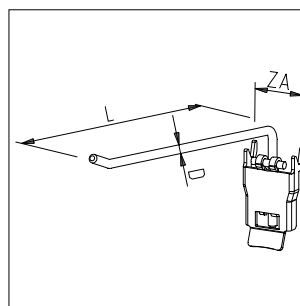
4148/5148 Single prong hook with direct entry clasp, Ø 4,8 mm, bright zinc



Ref. no.	L	D	B	ZA	VE
111 552 000 01 20	120	4,8	-	30	100
111 555 000 01 20	160	4,8	-	30	100
111 556 000 01 20	200	4,8	-	30	100
111 558 000 01 20	300	4,8	-	30	100
111 559 000 01 20	400	4,8	-	30	100

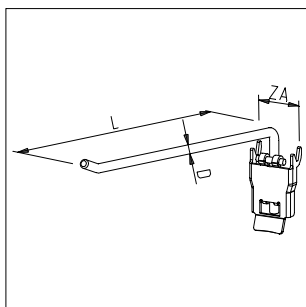
112 552 000 01 20	120	4,8	-	25	100
112 555 000 01 20	160	4,8	-	25	100
112 556 000 01 20	200	4,8	-	25	100
112 558 000 01 20	300	4,8	-	25	100
112 559 000 01 20	400	4,8	-	25	100

111 ... fits LA 15 mm, 112 ... fits LA 25 mm



Fittings for pegmetal panels

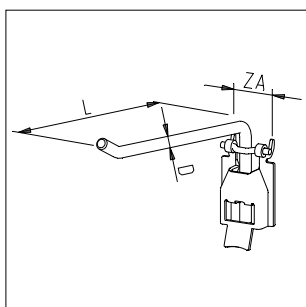
4160/5160 Single prong hook with direct entry clasp, Ø 6,0 mm, bright zinc



Ref. no.	L	D	B	ZA	VE
111 601 000 01 20	200	6,0	-	30	100
111 604 000 01 20	300	6,0	-	30	100
111 606 000 01 20	400	6,0	-	30	100
112 601 000 01 20	200	6,0	-	25	100
112 604 000 01 20	300	6,0	-	25	100
112 606 000 01 20	400	6,0	-	25	100

111 ... fits LA 15 mm, 112 ... fits LA 25 mm

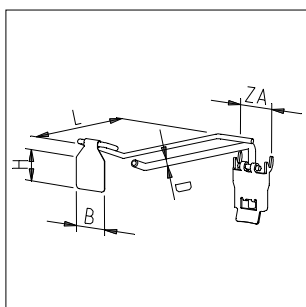
4180 Single prong hook with direct entry clasp, Ø 8,0 mm, bright zinc



Ref. no.	L	D	B	ZA	VE
111 680 000 01 20	200	8,0	-	30	100
111 681 000 01 20	300	8,0	-	30	100
111 682 000 01 20	400	8,0	-	30	100
111 684 000 01 20	500	8,0	-	30	100

111 ... fits LA 15 mm

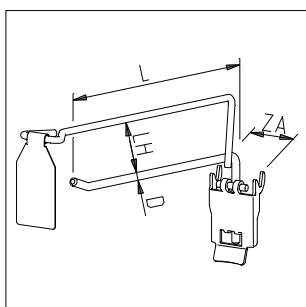
Z4160.7G/Z5160.7G Single prong hook with direct entry clasp and side arm with price flap, Ø 6,0 mm



Ref. no.	L	D	B	ZA	VE
111 604 842 01 20	300	6,0	28	30	100
111 606 842 01 20	400	6,0	28	30	100
112 604 842 01 20	300	6,0	28	25	100
112 606 842 01 20	400	6,0	28	25	100

111 ... fits LA 15 mm, 112 ... fits LA 25 mm, price flaps H = 27 mm, Other price flaps on request.
bright zinc

A4148FE/A5148FE Single prong direct entry clasp style hook with price flap, Ø 4,8 mm, bright zinc



Ref. no.	L	D	LH	ZA	VE
111 551 333 01 20	100	4,8	37	30	100
111 556 333 01 20	200	4,8	37	30	100
111 558 333 01 20	300	4,8	37	30	100
112 551 333 01 20	100	4,8	37	25	100
112 556 333 01 20	200	4,8	37	25	100
112 558 333 01 20	300	4,8	37	25	100

111 ... fits LA 15 mm, 112 ... fits LA 25 mm, price flaps H = 30 mm, Other price flaps on request.

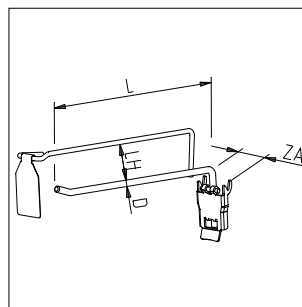


A4160FE/A5160FE Single prong direct entry clasp style hook with price flap, Ø 6,0 mm



Ref. no.	L	D	LH	ZA	VE
111 601 333 01 20	200	6,0	37	30	100
111 604 333 01 20	300	6,0	37	30	100
111 606 333 01 20	400	6,0	37	30	100
112 601 333 01 20	200	6,0	37	25	100
112 604 333 01 20	300	6,0	37	25	100
112 606 333 01 20	400	6,0	37	25	100

111 ... fits LA 15 mm, 112 ... fits LA 25 mm, price flaps H = 30 mm, Other price flaps on request.



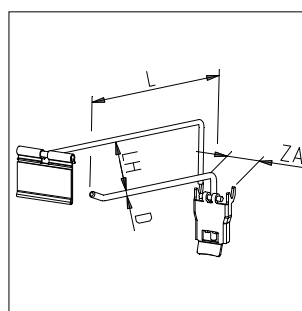
A4148/.../A5148/... Single prong direct entry clasp style hook with swinging ticket holder, Ø 4,8 mm



Ref. no.	L	D	LH	ZA	VE
111 552 ... 01 20	120	4,8	30	30	100
111 556 ... 01 20	200	4,8	30	30	100
111 558 ... 01 20	300	4,8	30	30	100
111 559 ... 01 20	400	4,8	30	30	100
112 552 ... 01 20	120	4,8	30	25	100
112 556 ... 01 20	200	4,8	30	25	100
112 558 ... 01 20	300	4,8	30	25	100
112 559 ... 01 20	400	4,8	30	25	100

111 ... fits LA 15 mm, 112 ... fits LA 25 mm, bright zinc; Please specify ticket holder size.

Refer to page 78.



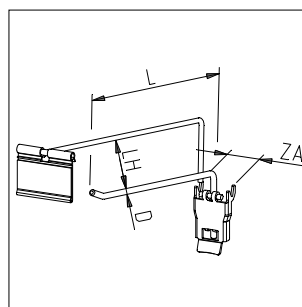
A4160/.../A5160/... Single prong direct entry clasp style hook with swinging ticket holder, Ø 6,0 mm



Ref. no.	L	D	LH	ZA	VE
111 601 ... 01 20	200	6,0	30	30	100
111 604 ... 01 20	300	6,0	30	30	100
111 606 ... 01 20	400	6,0	30	30	100
112 601 ... 01 20	200	6,0	30	25	100
112 604 ... 01 20	300	6,0	30	25	100
112 606 ... 01 20	400	6,0	30	25	100

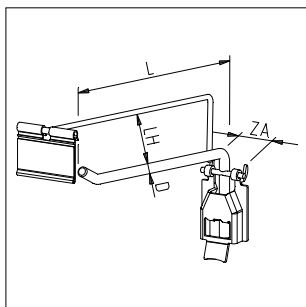
111 ... fits LA 15 mm, 112 ... fits LA 25 mm, bright zinc; Please specify ticket holder size.

Refer to page 78



Fittings for pegmetal panels

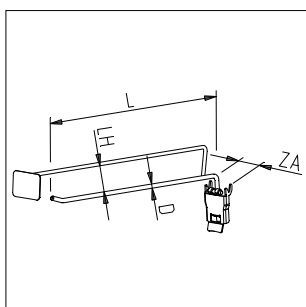
A4180/... Single prong direct entry clasp style hook with swinging ticket holder, Ø 8,0 mm, bright zinc



Ref. no.	L	D	LH	ZA	VE
111 680 ... 01 20	200	8,0	30	30	100
111 681 ... 01 20	300	8,0	30	30	100
111 682 ... 01 20	400	8,0	30	30	100
111 684 ... 01 17	500	8,0	30	30	50

111 ... fits LA 15 mm. Please specify ticket holder size. Refer to page 78.

A4148/.../A5148/... Single prong direct entry clasp style hook with price plate, Ø 4,8 mm, bright zinc

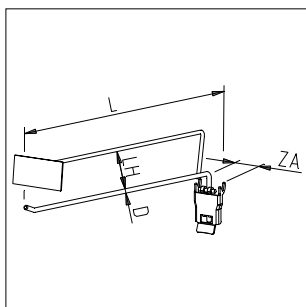


Ref. no.	L	D	LH	ZA	VE
111 556 ... 01 17	200	4,8	30	30	50
111 558 ... 01 17	300	4,8	30	30	50
111 559 ... 01 17	400	4,8	30	30	50

112 556 ... 01 17	200	4,8	30	25	50
112 558 ... 01 17	300	4,8	30	25	50
112 559 ... 01 17	400	4,8	30	25	50

111 ... fits LA 15 mm, 112 ... fits LA 25 mm. Please specify ticket holder size. Refer to page 78.

B4148/.../B5148/... Single prong direct entry clasp style hook with price plate, Ø 4,8 mm, bright zinc

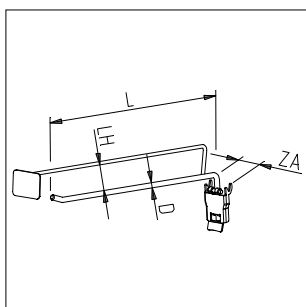


Ref. no.	L	D	LH	ZA	VE
111 556 ... 01 17	200	4,8	40	30	50
111 558 ... 01 17	300	4,8	40	30	50
111 559 ... 01 17	400	4,8	40	30	50

112 556 ... 01 17	200	4,8	40	25	50
112 558 ... 01 17	300	4,8	40	25	50
112 559 ... 01 17	400	4,8	40	25	50

111 ... fits LA 15 mm, 112 ... fits LA 25 mm. Please specify ticket holder size. Refer to page 78.

A4160/.../A5160/... Single prong direct entry clasp style hook with price plate, Ø 6,0 mm, bright zinc



Ref. no.	L	D	LH	ZA	VE
111 601 ... 01 17	200	6,0	30	30	50
111 604 ... 01 17	300	6,0	30	30	50
111 606 ... 01 17	400	6,0	30	30	50

112 601 ... 01 17	200	6,0	30	25	50
112 604 ... 01 17	300	6,0	30	25	50
112 606 ... 01 17	400	6,0	30	25	50

111 ... fits LA 15 mm, 112 ... fits LA 25 mm. Please specify ticket holder size. Refer to page 78.

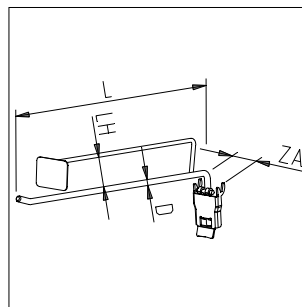


B4160/.../B5160/... Single prong direct entry clasp style hook with price plate, Ø 6,0 mm, bright zinc



Ref. no.	L	D	LH	ZA	VE
111 601 ... 01 17	200	6,0	40	30	50
111 604 ... 01 17	300	6,0	40	30	50
111 606 ... 01 17	400	6,0	40	30	50
112 601 ... 01 17	200	6,0	40	25	50
112 604 ... 01 17	300	6,0	40	25	50
112 606 ... 01 17	400	6,0	40	25	50

111 ... fits LA 15 mm, 112 ... fits LA 25 mm. Please specify ticket holder size. Refer to page 78.

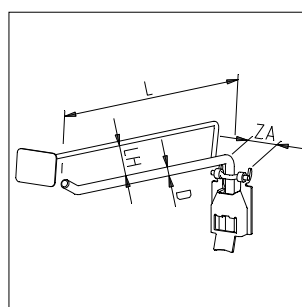


A4180/.../ Single prong direct entry clasp style hook with price plate, Ø 8,0 mm, bright zinc



Ref. no.	L	D	LH	ZA	VE
111 680 ... 01 17	200	8,0	26	30	50
111 681 ... 01 17	300	8,0	26	30	50
111 682 ... 01 17	400	8,0	26	30	50
111 684 ... 01 17	500	8,0	26	30	50

111 ... fits LA 15 mm. Please specify ticket holder size. Refer to page 78.

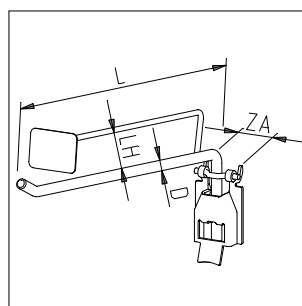


B4180/.../ Single prong direct entry clasp style hook with price plate, Ø 8,0 mm, bright zinc



Ref. no.	L	D	LH	ZA	VE
111 680 ... 01 17	200	8,0	40	30	50
111 681 ... 01 17	300	8,0	40	30	50
111 682 ... 01 17	400	8,0	40	30	50

111 ... fits LA 15 mm. Please specify ticket holder size. Refer to page 78.

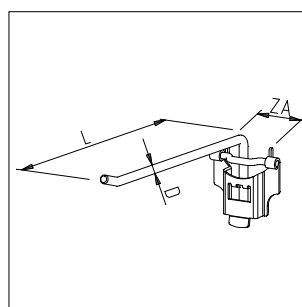


2117... Single prong direct entry hook with heavy duty clasp, bright zinc



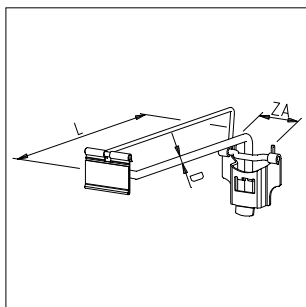
Ref. no.	L	D	B	ZA	VE
211 760 000 01 17	200	6,0	-	45	50
211 761 000 01 17	300	6,0	-	45	50
211 762 000 01 17	400	6,0	-	45	50
211 780 000 01 17	200	8,0	-	45	50
211 781 000 01 17	300	8,0	-	45	50
211 782 000 01 17	400	8,0	-	45	50
211 783 000 01 17	500	8,0	-	45	50
211 712 000 01 17	400	10,0	-	45	50
211 713 000 01 17	500	10,0	-	45	50

211 ... fits LA 15 mm



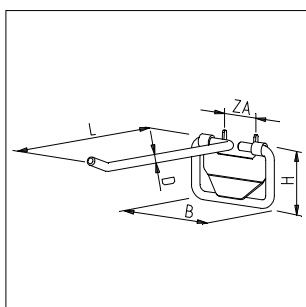
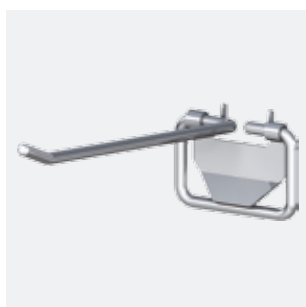
Fittings for pegmetal panels

2117... Single prong direct entry hook with heavy duty clasp and swinging ticket holder, bright zinc



Ref. no.	L	D	B	ZA	VE
211 760 ... 01 17	200	6,0	-	45	50
211 761 ... 01 17	300	6,0	-	45	50
211 762 ... 01 17	400	6,0	-	45	50
211 780 ... 01 17	200	8,0	-	45	50
211 781 ... 01 17	300	8,0	-	45	50
211 782 ... 01 17	400	8,0	-	45	50
211 783 ... 01 17	500	8,0	-	45	50
211 712 ... 01 17	400	10,0	-	45	50
211 713 ... 01 17	500	10,0	-	45	50

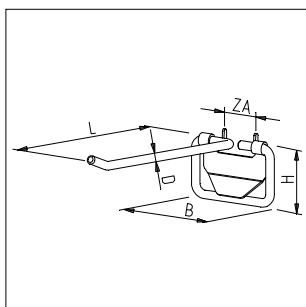
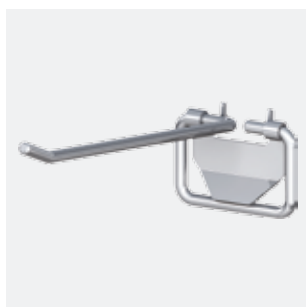
2962/2960 Single prong direct entry plate style hook, Ø 4,8 mm, H: 45 mm, bright zinc



Ref. no.	L	D	B	ZA	VE
111 852 000 01 20	200	4,8	65	30	100
111 854 000 01 20	300	4,8	65	30	100
111 855 000 01 20	400	4,8	65	30	100
112 852 000 01 20	200	4,8	65	25	100
112 854 000 01 20	300	4,8	65	25	100
112 855 000 01 20	400	4,8	65	25	100

111 ... fits LA 15 mm, 112 ... fits LA 25 mm

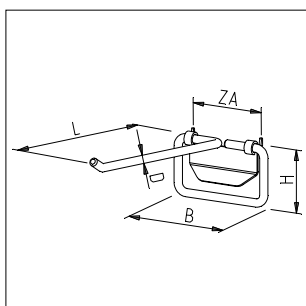
2992/2990 Single prong direct entry plate style hook, Ø 6,0 mm, H: 45 mm, bright zinc



Ref. no.	L	D	B	ZA	VE
111 862 000 01 20	200	6,0	65	30	100
111 864 000 01 20	300	6,0	65	30	100
111 866 000 01 20	400	6,0	65	30	100
112 862 000 01 20	200	6,0	65	25	100
112 864 000 01 20	300	6,0	65	25	100
112 866 000 01 20	400	6,0	65	25	100

111 ... fits LA 15 mm, 112 ... fits LA 25 mm

1960 Single prong heavy duty direct entry plate style hook, Ø 8,0 mm, H: 62 mm, bright zinc



Ref. no.	L	D	B	ZA	VE
117 801 000 01 17	200	8,0	103	75	50
117 802 000 01 17	300	8,0	103	75	50
117 804 000 01 17	400	8,0	103	75	50

117 ... fits, LA 15 mm and 25 mm



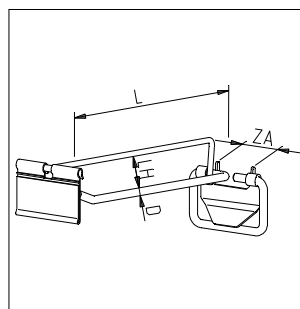
A2990/.../A2992/.../ Single prong direct entry plate style hook with swinging ticket holder, Ø 6,0 mm



Ref. no.	L	D	LH	ZA	VE
111 862 ... 01 20	200	6,0	30	30	100
111 864 ... 01 20	300	6,0	30	30	100
111 866 ... 01 20	400	6,0	30	30	100
112 862 ... 01 20	200	6,0	30	25	100
112 864 ... 01 20	300	6,0	30	25	100
112 866 ... 01 20	400	6,0	30	25	100

111 ... fits LA 15 mm, 112 ... fits LA 25 mm, bright zinc. Please specify ticket holder size.

Refer to page 78.

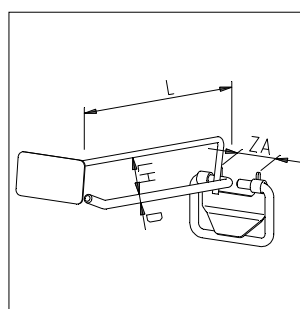


A2990/.../A2992/.../ Single prong direct entry plate style hook with price plate, Ø 6,0 mm, bright zinc



Ref. no.	L	D	LH	ZA	VE
111 862 ... 01 17	200	6,0	30	30	50
111 864 ... 01 17	300	6,0	30	30	50
111 866 ... 01 17	400	6,0	30	30	50
112 862 ... 01 17	200	6,0	30	25	50
112 864 ... 01 17	300	6,0	30	25	50
112 866 ... 01 17	400	6,0	30	25	50

111 ... fits LA 15 mm, 112 ... fits LA 25 mm. Please specify ticket holder size. Refer to page 78.

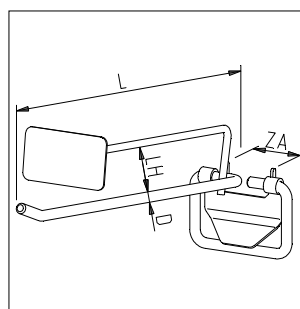


B2990/.../B2992/.../ Single prong direct entry plate style hook with price plate, Ø 6,0 mm, bright zinc



Ref. no.	L	D	LH	ZA	VE
111 862 ... 01 17	200	6,0	40	30	50
111 864 ... 01 17	300	6,0	40	30	50
111 866 ... 01 17	400	6,0	40	30	50
112 862 ... 01 17	200	6,0	40	25	50
112 864 ... 01 17	300	6,0	40	25	50
112 866 ... 01 17	400	6,0	40	25	50

111 ... fits LA 15 mm, 112 ... fits LA 25 mm. Please specify ticket holder size. Refer to page 78.

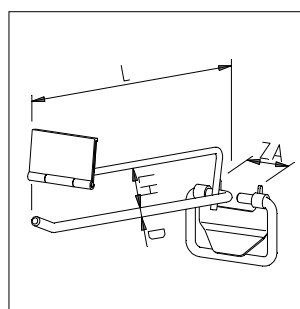


B2990/.../B2992/.../ Single prong direct entry hook with adjustable plastic price plate, Ø 6,0 mm, bright zinc



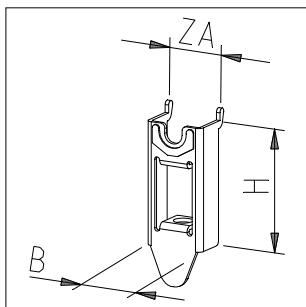
Ref. no.	L	D	LH	ZA	VE
111 862 ... 01 20	200	6,0	40	30	100
111 864 ... 01 20	300	6,0	40	30	100
111 866 ... 01 20	400	6,0	40	30	100
112 862 ... 01 20	200	6,0	40	25	100
112 864 ... 01 20	300	6,0	40	25	100
112 866 ... 01 20	400	6,0	40	25	100

111 ... fits LA 15 mm, 112 ... fits LA 25 mm. Please specify ticket holder size. Refer to page 78.



Fittings for pegmetal panels

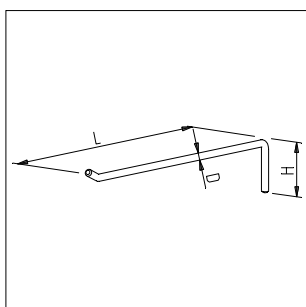
35.8/36.0 Backpanel adapter for single and heavy duty hooks, Ø 8,0/10,0 mm, bright zinc



Ref. no.	H	B	ZA	VE
119 180 000 01 20	65	32	30	100
119 110 000 01 20	65	32	30	100

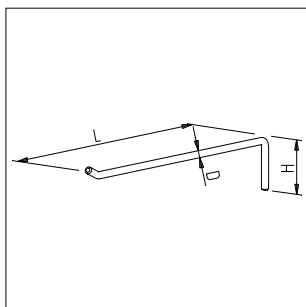
119 ... fits LA 15 mm, 119 180 ... for Ø 8,0 mm, 119 110 ... for Ø 10,0 mm

1708.0 Single prong hook for backpanel adapter, Ø 8,0 mm, bright zinc



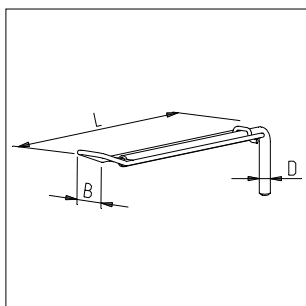
Ref. no.	L	D	B	ZA	VE
109 180 000 01 20	200	8,0	60	-	100
109 181 000 01 20	300	8,0	60	-	100
109 182 000 01 20	400	8,0	60	-	100
109 183 000 01 20	500	8,0	60	-	100

1710.0 Single prong hook for backpanel adapter, Ø 10,0 mm, bright zinc



Ref. no.	L	D	H	ZA	VE
109 111 000 01 20	300	10,0	60	-	100
109 112 000 01 20	400	10,0	60	-	100
109 113 000 01 20	500	10,0	60	-	100

3708.0 Heavy duty hook for backpanel adapter, with central core, Ø 8,0/4,0 mm, bright zinc



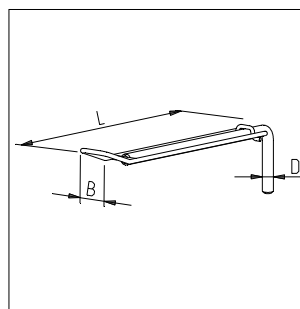
Ref. no.	L	D	B	ZA	VE
109 381 000 01 20	300	8,0	28	-	100
109 383 000 01 20	400	8,0	28	-	100
109 385 000 01 20	500	8,0	28	-	100



3710.0 Heavy duty hook for backpanel adapter, with central core, Ø 10,0/4,0 mm, bright zinc



Ref. no.	L	D	B	ZA	VE
109 311 000 01 20	300	10,0	28	-	100
109 313 000 01 20	400	10,0	28	-	100
109 315 000 01 20	500	10,0	28	-	100

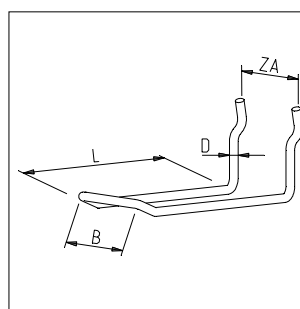


1805 Plain looped hook, slight incline, Ø 3,5 mm, bright zinc



Ref. no.	L	D	B	ZA	VE
110 230 930 01 22	50	3,5	28	-	200
110 232 000 01 22	100	3,5	28	-	200
110 233 000 01 22	120	3,5	28	-	200
110 234 000 01 22	140	3,5	28	-	200
110 235 000 01 22	160	3,5	28	-	200
110 236 000 01 22	200	3,5	28	-	200

110 ... fits LA 15 mm and 25 mm, 101 230 930 ... round ended, 101 232 000 ... square ended

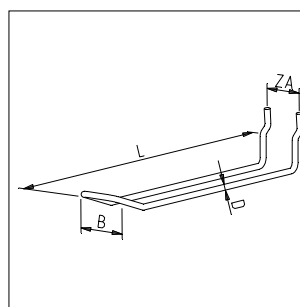


1915 Plain looped hook, slight incline, Ø 4,0 mm, bright zinc



Ref. no.	L	D	B	ZA	VE
110 240 000 01 22	200	4,0	28	-	200
110 241 000 01 22	250	4,0	28	-	200
110 242 000 01 22	275	4,0	28	-	200
110 243 000 01 22	300	4,0	28	-	200
110 245 000 01 22	350	4,0	28	-	200

110 ... fits LA 15 mm and 25 mm

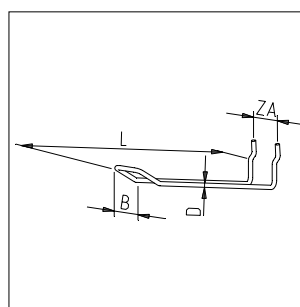


1916 Plain looped hook, steeply inclined, Ø 4,0 mm, bright zinc



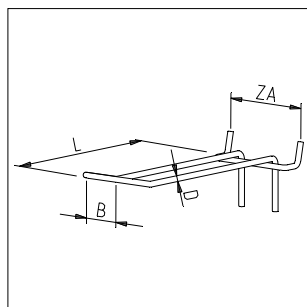
Ref. no.	L	D	B	ZA	VE
110 250 000 01 22	200	4,0	28	-	200
110 251 000 01 22	250	4,0	28	-	200
110 252 000 01 22	275	4,0	28	-	200
110 253 000 01 22	300	4,0	28	-	200
110 255 000 01 22	350	4,0	28	-	200

110 ... fits LA 15 mm and 25 mm



Fittings for pegmetal panels

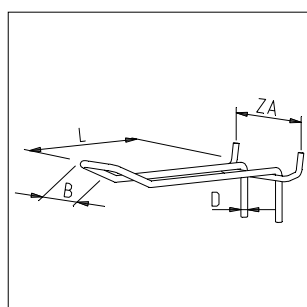
1985/1995 Looped hook with fixed bridge, Ø 3,5 mm, bright zinc



Ref. no.	L	D	B	ZA	VE
113 034 000 01 20	160	3,5	28	45	100
113 036 000 01 20	200	3,5	28	45	100
114 034 000 01 20	160	3,5	28	50	100
114 036 000 01 20	200	3,5	28	50	100

113 ... fits LA 15 mm, 114 ... fits LA 25 mm

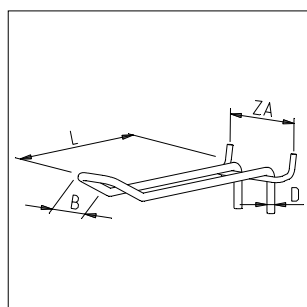
1983/1993 Looped hook with fixed bridge, Ø 4,0 mm, bright zinc



Ref. no.	L	D	B	ZA	VE
113 044 000 01 20	160	4,0	28	45	100
113 045 000 01 20	200	4,0	28	45	100
113 046 000 01 20	250	4,0	28	45	100
113 047 000 01 20	300	4,0	28	45	100
113 049 000 01 20	400	4,0	28	45	100
114 044 000 01 20	160	4,0	28	50	100
114 045 000 01 20	200	4,0	28	50	100
114 046 000 01 20	250	4,0	28	50	100
114 047 000 01 20	300	4,0	28	50	100
114 049 000 01 20	400	4,0	28	50	100

113 ... fits LA 15 mm, 114 ... fits LA 25 mm

1981/1991 Looped hook with fixed bridge, Ø 4,8 mm, bright zinc



Ref. no.	L	D	B	ZA	VE
113 052 000 01 20	200	4,8	28	45	100
113 054 000 01 20	300	4,8	28	45	100
113 057 000 01 20	400	4,8	28	45	100
114 052 000 01 20	200	4,8	28	50	100
114 054 000 01 20	300	4,8	28	50	100
114 057 000 01 20	400	4,8	28	50	100

113 ... fits LA 15 mm, 114 ... fits LA 25 mm

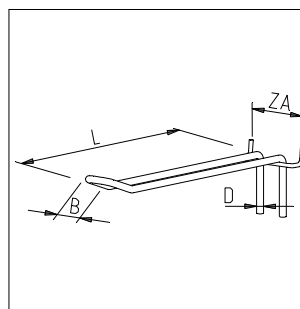


1980/1990 Looped hook with fixed bridge, Ø 6,0 mm, bright zinc



Ref. no.	L	D	B	ZA	VE
113 060 000 01 20	300	6,0	28	45	100
113 062 000 01 20	400	6,0	28	45	100
114 060 000 01 20	300	6,0	28	50	100
114 062 000 01 20	400	6,0	28	50	100

113 ... fits LA 15 mm, 114 ... fits LA 25 mm

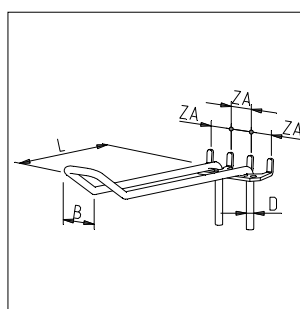


1986 Looped hook with 4 insert prongs, Ø 3,5 mm, bright zinc



Ref. no.	L	D	B	ZA	VE
125 455 000 01 20	160	3,5	28	15	100
125 434 000 01 20	200	3,5	28	15	100

125 ... fits LA 15 mm

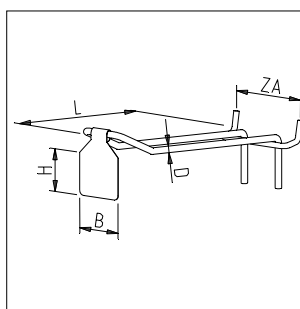


F1983G/F1993G Double hook with beweglicher Preisfahne, Ø 4,0 mm, bright zinc



Ref. no.	L	D	B	ZA	VE
113 045 132 01 20	200	4,0	28	45	100
113 047 132 01 20	300	4,0	28	45	100
114 045 132 01 20	200	4,0	28	50	100
114 047 132 01 20	300	4,0	28	50	100

113 ... fits LA 15 mm, 114 ... fits LA 25 mm, price flap H = 27 mm. Other price flaps on request.

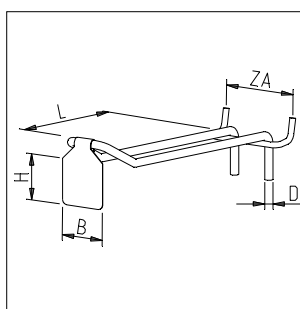


F1981G/F1991G Looped hook with price flap, Ø 4,8 mm, bright zinc



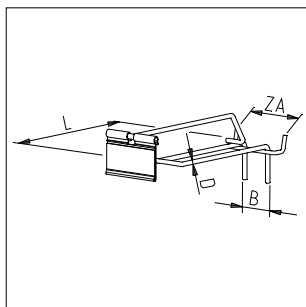
Ref. no.	L	D	B	ZA	VE
113 052 132 01 20	200	4,8	28	45	100
113 054 132 01 20	300	4,8	28	45	100
113 057 132 01 20	400	4,8	28	45	100
114 052 132 01 20	200	4,8	28	50	100
114 054 132 01 20	300	4,8	28	50	100
114 057 132 01 20	400	4,8	28	50	100

113 ... fits LA 15 mm, 114 ... fits LA 25 mm, price flap H = 27 mm. Other price flaps on request.



Fittings for pegmetal panels

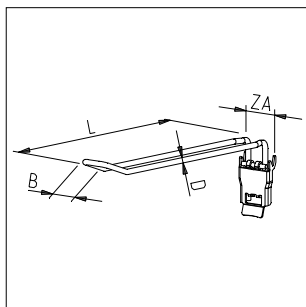
A1983/.../A1993/... Looped hook with overarm and swinging ticket holder, bright zinc



Ref. no.	L	D	B	ZA	VE
113 040 ... 01 20	100	4,0	28	45	100
113 043 ... 01 20	150	4,0	28	45	100
113 044 ... 01 20	160	4,0	28	45	100
113 045 ... 01 20	200	4,0	28	45	100
113 046 ... 01 20	250	4,0	28	45	100
113 047 ... 01 20	300	4,0	28	45	100
114 040 ... 01 20	100	4,0	28	50	100
114 043 ... 01 20	150	4,0	28	50	100
114 044 ... 01 20	160	4,0	28	50	100
114 045 ... 01 20	200	4,0	28	50	100
114 046 ... 01 20	250	4,0	28	50	100
114 047 ... 01 20	300	4,0	28	50	100

113 ... fits LA 15 mm, 114 ... fits LA 25 mm, Please specify ticket holder size. Refer to page 78.

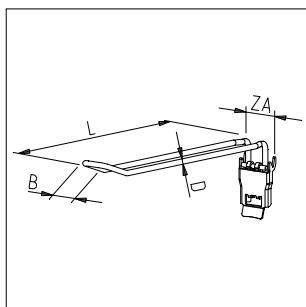
4240/5240 Looped hook, direct entry clasp style, Ø 4,0 mm, bright zinc



Ref. no.	L	D	B	ZA	VE
113 540 000 01 20	80	4,0	28	30	100
113 541 000 01 20	100	4,0	28	30	100
113 542 000 01 20	120	4,0	28	30	100
113 544 000 01 20	160	4,0	28	30	100
114 540 000 01 20	80	4,0	28	25	100
114 541 000 01 20	100	4,0	28	25	100
114 542 000 01 20	120	4,0	28	25	100
114 544 000 01 20	160	4,0	28	25	100

113 ... fits LA 15 mm, 114 ... fits LA 25 mm

4248/5248 Looped hook, direct entry clasp style, Ø 4,8 mm, bright zinc



Ref. no.	L	D	B	ZA	VE
113 554 000 01 20	200	4,8	28	30	100
113 555 000 01 20	250	4,8	28	30	100
113 556 000 01 20	300	4,8	28	30	100
113 557 000 01 20	330	4,8	28	30	100
113 558 000 01 20	400	4,8	28	30	100
114 554 000 01 20	200	4,8	28	25	100
114 555 000 01 20	250	4,8	28	25	100
114 556 000 01 20	300	4,8	28	25	100
114 557 000 01 20	330	4,8	28	25	100
114 558 000 01 20	400	4,8	28	25	100

113 ... fits LA 15 mm, 114 ... fits LA 25 mm

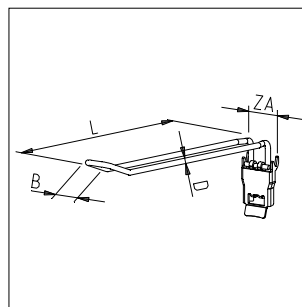


4260/5260 Looped hook, direct entry clasp style, Ø 6,0 mm, bright zinc



Ref. no.	L	D	B	ZA	VE
113 604 000 01 20	300	6,0	28	30	100
113 606 000 01 20	400	6,0	28	30	100
114 604 000 01 20	300	6,0	28	25	100
114 606 000 01 20	400	6,0	28	25	100

113 ... fits LA 15 mm, 114 ... fits LA 25 mm

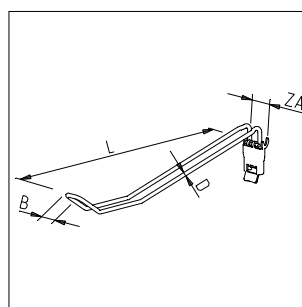


4748/5748 Gravity feed hook, direct entry clasp style, Ø 4,8 mm, bright zinc



Ref. no.	L	D	B	ZA	VE
113 751 000 01 20	300	4,8	28	30	100
113 752 000 01 20	400	4,8	28	30	100
114 751 000 01 20	300	4,8	28	25	100
114 752 000 01 20	400	4,8	28	25	100

113 ... fits LA 15 mm, 114 ... fits LA 25 mm, price flap H = 30 mm. Other price flaps on request.

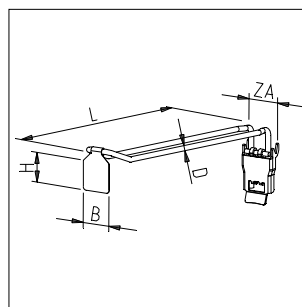


F4240E/F5240E Looped hook with price flap, direct entry clasp style, Ø 4,0 mm, bright zinc



Ref. no.	L	D	B	ZA	VE
113 541 133 01 20	100	4,0	28	30	100
113 542 133 01 20	120	4,0	28	30	100
114 541 133 01 20	120	4,0	28	25	100
114 542 133 01 20	120	4,0	28	25	100

113 ... fits LA 15 mm, 114 ... fits LA 25 mm, price flap H = 30 mm. Other price flaps on request.



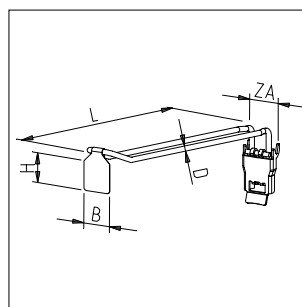
F4248G/F5248G Looped hook with price flap, direct entry clasp style, Ø 4,8 mm, bright zinc



Ref. no.	L	D	B	ZA	VE
113 554 132 01 20	200	4,8	28	30	100
113 555 132 01 20	250	4,8	28	30	100
113 556 132 01 20	300	4,8	28	30	100
113 557 132 01 20	330	4,8	28	30	100
113 558 132 01 20	400	4,8	28	30	100
114 554 132 01 20	200	4,8	28	25	100
114 555 132 01 20	250	4,8	28	25	100
114 556 132 01 20	300	4,8	28	25	100
114 557 132 01 20	330	4,8	28	25	100
114 558 132 01 20	400	4,8	28	25	100

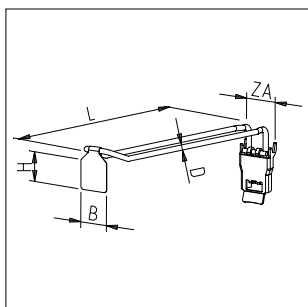
113 ... fits LA 15 mm, 114 ... fits LA 25 mm,

price flap H = 27 mm. Other price flaps on request.



Fittings for pegmetal panels

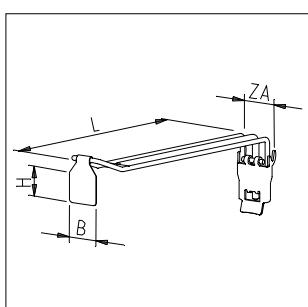
F4260G/F5260G Looped hook with price flap, direct entry clasp style, Ø 6,0 mm, bright zinc



Ref. no.	L	D	B	ZA	VE
113 604 132 01 20	300	6,0	28	30	100
113 606 132 01 20	400	6,0	28	30	100
114 604 132 01 20	300	6,0	28	25	100
114 606 132 01 20	400	6,0	28	25	100

113 ... fits LA 15 mm, 114 ... fits LA 25 mm, price flap H = 27 mm. Other price flaps on request.

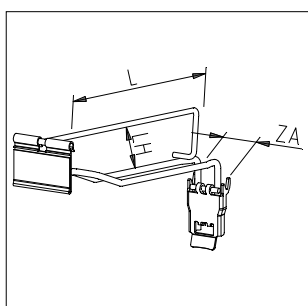
F4166G Heavy duty looped hook with price flap, direct entry clasp style, with central core, Ø 6,0 mm/4,0 mm



Ref. no.	L	D	B	ZA	VE
113 660 132 01 17	200	6,0	28	30	50
113 661 132 01 17	300	6,0	28	30	50
113 664 132 01 17	400	6,0	28	30	50

113 ... fits LA 15 mm, price flap H = 27 mm, bright zinc. Other price flaps on request.

A4248/.../A5248/... Looped hook with swinging ticket holder, direct entry clasp style, Ø 4,8 mm, bright zinc



Ref. no.	L	D	LH	ZA	VE
113 551 ... 01 20	120	4,8	37	30	100
113 554 ... 01 20	200	4,8	37	30	100
113 556 ... 01 20	300	4,8	37	30	100
113 558 ... 01 20	400	4,8	37	30	100
114 551 ... 01 20	120	4,8	37	25	100
114 554 ... 01 20	200	4,8	37	25	100
114 556 ... 01 20	300	4,8	37	25	100
114 558 ... 01 20	400	4,8	37	25	100

113 ... fits LA 15 mm, 114 ... fits LA 25 mm Please specify ticket holder size. Refer to page 78.

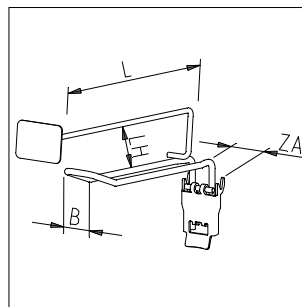


A4248/.../A5248/... Looped hook with price plate, direct entry clasp style, Ø 4,8 mm, bright zinc



Ref. no.	L	D	LH	ZA	VE
113 554 ... 01 17	200	4,8	37	30	50
113 556 ... 01 17	300	4,8	37	30	50
113 558 ... 01 17	400	4,8	37	30	50
114 554 ... 01 17	200	4,8	37	25	50
114 556 ... 01 17	300	4,8	37	25	50
114 558 ... 01 17	400	4,8	37	25	50

113 ... fits LA 15 mm, 114 ... fits LA 25 mm. Please specify ticket holder size. Refer to page 78.

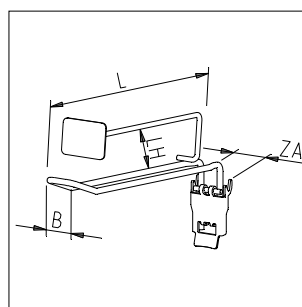


B4248/.../B5248/... Looped hook with price plate, direct entry clasp style, Ø 4,8 mm, bright zinc



Ref. no.	L	D	LH	ZA	VE
113 554 ... 01 17	200	4,8	40	30	50
113 556 ... 01 17	300	4,8	40	30	50
113 558 ... 01 17	400	4,8	40	30	50
114 554 ... 01 17	200	4,8	40	25	50
114 556 ... 01 17	300	4,8	40	25	50
114 558 ... 01 17	400	4,8	40	25	50

113 ... fits LA 15 mm, 114 ... fits LA 25 mm. Please specify ticket holder size. Refer to page 78.

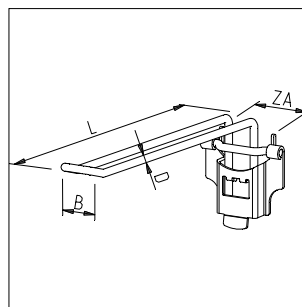


2137... Looped hook with heavy duty direct entry clasp, bright zinc



Ref. no.	L	D	B	ZA	VE
213 760 000 01 17	200	6,0	28	45	50
213 761 000 01 17	300	6,0	28	45	50
213 762 000 01 17	400	6,0	28	45	50

213 ... fits LA 15 mm

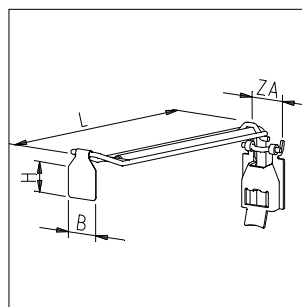


F4188G Heavy duty looped hook, with direct entry clasp and price flap, with central core Ø 8,0 mm/4,0 mm



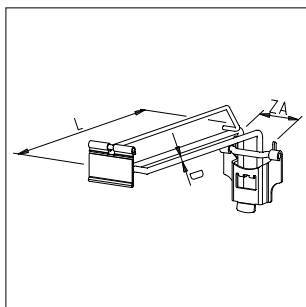
Ref. no.	L	D	B	ZA	VE
113 691 132 01 17	300	8,0	28	30	50
113 692 132 01 17	400	8,0	28	30	50

113 ... fits LA 15 mm, Preisfahne H = 27 mm, bright zinc. Other price flaps on request.



Fittings for pegmetal panels

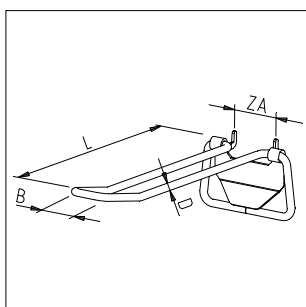
2137... Looped hook with heavy duty direct entry clasp & overarm with ticket holder, bright zinc



Ref. no.	L	D	B	ZA	VE
213 760 ... 01 17	200	6,0	28	45	50
213 761 ... 01 17	300	6,0	28	45	50
213 762 ... 01 17	400	6,0	28	45	50

213 ... fits LA 15 mm

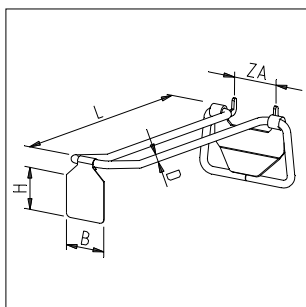
2965/2964 Looped hook, direct entry plate style, Ø 4,8 mm, bright zinc



Ref. no.	L	D	B	ZA	VE
113 853 000 01 20	200	4,8	28	30	100
113 855 000 01 20	300	4,8	28	30	100
113 856 000 01 20	400	4,8	28	30	100
	300	6,0	28	25	100
114 853 000 01 20	200	4,8	28	25	100
114 855 000 01 20	300	4,8	28	25	100
114 856 000 01 20	400	4,8	28	25	100

113 ... fits LA 15 mm , 114 ... fits LA 25 mm

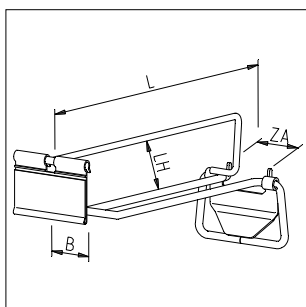
F2965G/F2964G Looped hook, direct entry plate style, with price flap, Ø 4,8 mm, bright zinc



Ref. no.	L	D	B	ZA	VE
113 853 132 01 20	200	4,8	28	30	100
113 855 132 01 20	300	4,8	28	30	100
113 856 132 01 20	400	4,8	28	30	100
114 853 132 01 20	200	4,8	28	25	100
114 855 132 01 20	300	4,8	28	25	100
114 856 132 01 20	400	4,8	28	25	100

113 ... fits LA 15 mm , 114 ... fits LA 25 mm, price flap H = 27 mm. Other price flaps on request.

A2965/.../A2964/... Looped hook, direct entry plate style, with swinging ticket holder, Ø 4,8 mm, bright zinc



Ref. no.	L	B	LH	ZA	VE
113 853 ... 01 20	200	28	37	30	100
113 855 ... 01 20	300	28	37	30	100
113 856 ... 01 20	400	28	37	30	100
114 853 ... 01 20	200	28	37	25	100
114 855 ... 01 20	300	28	37	25	100
114 856 ... 01 20	400	28	37	25	100

113 ... fits LA 15 mm, 114 ... fits LA 25 mm. Please specify ticket holder size. Refer to page 78.

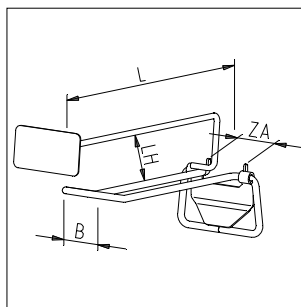


A2965/.../A2964/... Looped hook, direct entry plate style, with price plate, Ø 4,8 mm, bright zinc



Ref. no.	L	D	LH	ZA	VE
113 853 ... 01 17	200	4,8	40	30	50
113 855 ... 01 17	300	4,8	40	30	50
113 856 ... 01 17	400	4,8	40	30	50
114 853 ... 01 17	200	4,8	40	25	50
114 855 ... 01 17	300	4,8	40	25	50
114 856 ... 01 17	400	4,8	40	25	50

113 ... fits LA 15 mm, 114 ... fits LA 25 mm. Please specify ticket holder size. Refer to page 78.

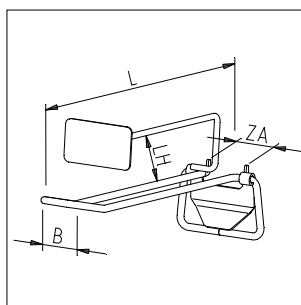


B2965/.../B2964/... Looped hook, direct entry plate style, with price plate, Ø 4,8 mm, bright zinc



Ref. no.	L	D	LH	ZA	VE
113 853 ... 01 17	200	4,8	40	30	50
113 855 ... 01 17	300	4,8	40	30	50
113 856 ... 01 17	400	4,8	40	30	50
114 853 ... 01 17	200	4,8	40	25	50
114 855 ... 01 17	300	4,8	40	25	50
114 856 ... 01 17	400	4,8	40	25	50

113 ... fits LA 15 mm, 114 ... fits LA 25 mm. Please specify ticket holder size. Refer to page 78.

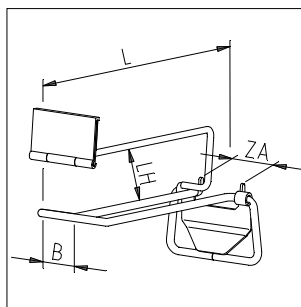


B2965/.../B2964/... Looped hook, direct entry plate style with adjustable ticket holder, Ø 4,8 mm, bright zinc



Ref. no.	L	B	LH	ZA	VE
113 853 ... 01 20	200	28	40	30	100
113 855 ... 01 20	300	28	40	30	100
113 856 ... 01 20	400	28	40	30	100
114 853 ... 01 20	200	28	40	25	100
114 855 ... 01 20	300	28	40	25	100
114 856 ... 01 20	400	28	40	25	100

113 ... fits LA 15 mm, 114 ... fits LA 25 mm. Please specify ticket holder size. Refer to page 78.

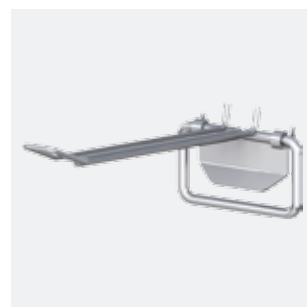
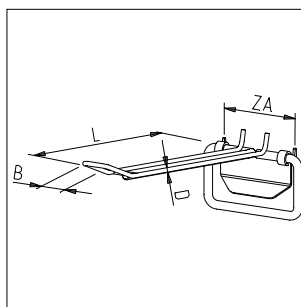


E1972 Extra heavy duty direct entry plate style hook, with central core, Ø 8,0/4,0 mm, bright zinc



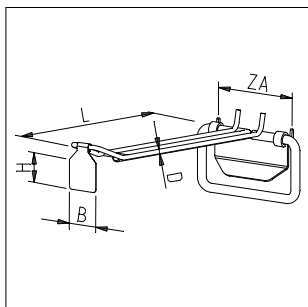
Ref. no.	L	D	B	ZA	VE
117 881 000 01 17	300	8,0	28	75	50
117 883 000 01 17	400	8,0	28	75	50
117 886 000 01 14	550	8,0	28	75	25

117 ... fits LA 15 mm and 25 mm



Fittings for pegmetal panels

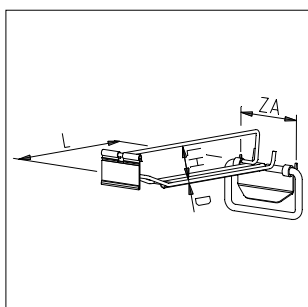
F1972G Extra heavy duty direct entry plate style hook with price flap, with central core, Ø 8,0 mm, bright zinc



Ref. no.	L	D	B	ZA	VE
117 881 132 01 17	300	8,0	28	75	50
117 883 132 01 17	400	8,0	28	75	50
117 886 132 01 14	550	8,0	28	75	25

117 ... fits LA 15 mm and 25 mm, price flap H = 27 mm. Other price flaps on request.

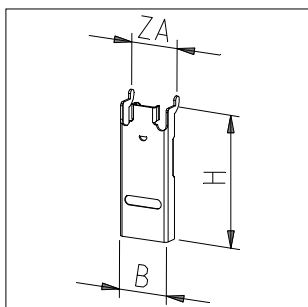
A1972... Extra heavy duty direct entry plate style hook with swinging ticket holder, with central core, bright zinc



Ref. no.	L	B	LH	ZA	VE
117 881 ... 01 17	300	28	37	75	50
117 883 ... 01 17	400	28	37	75	50
117 885 ... 01 17	500	28	37	75	25

117 ... fits LA 15 mm and 25 mm. Please specify ticket holder size. Refer to page 78.

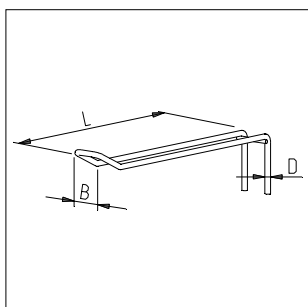
25.5/25.6 Adapter plate for looped hooks, Ø 4,8/6,0 mm, bright zinc



Ref. no.	H	B	ZA	VE
119 250 000 01 20	79	31,5	30	100
119 260 000 01 17	79	31,5	30	50

119 ... fits LA 15 mm. 119 250 ... for Ø 4,8 mm, 119 260 ... for Ø 6,0 mm

2748.0 Looped hook for adapter plate, Ø 4,8 mm, bright zinc



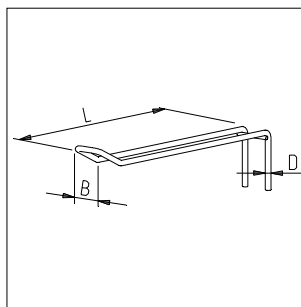
Ref. no.	L	D	B	ZA	VE
109 250 000 01 20	200	4,8	28	-	100
109 251 000 01 20	300	4,8	28	-	100
109 252 000 01 20	400	4,8	28	-	100



2760.0 Looped hook for adapter plate, Ø 6,0 mm, bright zinc



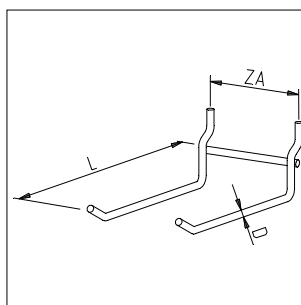
Ref. no.	L	D	B	ZA	VE
109 260 000 01 20	200	6,0	28	-	100
109 261 000 01 20	300	6,0	28	-	100
109 262 000 01 20	400	6,0	28	-	100



1885 Twin open hook, Ø 3,5 mm, bright zinc



Ref. no.	L	D	B	ZA	VE
113 000 000 01 22	40	3,5	-	45	200
113 001 000 01 22	60	3,5	-	45	200
113 002 000 01 22	80	3,5	-	45	200
113 003 000 01 22	100	3,5	-	45	200



Fittings for pegmetal panels

Please fill in the space in the item ref. nos. with the codes given below for the required price plate.

Swinging ticket holder, proud of hook end



Width Height Code No.

45	40	364
52	40	365
53	40	366
70	40	368
80	40	370
90	40	371
100	40	372
45	52	801
53	52	803
56	52	802

Adjustable plastic ticket holder, retracted from hook end



Width Height Code No.

40	27	583
45	25	580
52	35	584
85	25	581
85	40	585
90	40	586
10	25	582

Metal price plate, lipped at top and bottom



Width Height Code No. A Code No. B

108	40	302	502
90	40	301	501
45	25	295	495
70	40	300	500
75	38	298	498
75	25	296	496

Code A = proud of hook end, Code B = retracted from hook end



Metal price plate, flat



Please refer to table below for sizes and code nos.

Table for hooks with price plate facility, Minimum quantity: 250 pcs.

A = proud of hook	Height in mm					
Width in mm	20	25	30	32	35	40
25	201	204				242
30		205				
40		206	218			244
50		208				245
52			220		236	
60		209	221	232		246
65					237	
67					238	
75		211	223			249
85						
88		213				
90			225			252
100					239	254

B = zurückstehend	Height in mm					
Width in mm	20	25	30	32	35	40
25	401	404				442
30		405				
40		406	418			444
50		408				445
52			420		436	
60		409	421	432		446
65					437	
67					438	
75		411	423			449
85						
88		413				
90			425			452
100					439	454

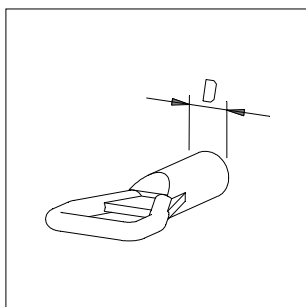
Fittings for pegmetal panels

Supplementary price flaps for existing hooks



Artikel	Ref. no.	Maße in mm		Material	passend für Draht Ø mm	VPE	Bemerkung
		B	H				
77040 G	038 042 000 22 20	27	27	stainless steel	4,0	100	
77048 G	038 052 000 22 20	27	27	stainless steel	4,8	100	
77060 G	038 062 000 22 20	27	27	stainless steel	6,0	100	
77340 E	038 043 000 22 20	27	30	stainless steel	4,0	100	
77348 E	038 053 000 22 20	27	30	stainless steel	4,8	100	
77360 E	038 063 000 22 20	27	30	stainless steel	6,0	100	
774 G	037 742 000 84 20	27	27	white plastic	4,0-4,8	100	
775 E	037 750 000 84 20	27	42	white plastic	4,0-4,8	100	
778 E	037 850 000 84 20	27	40	white plastic	4,0-4,8	100	with positioning ridge
779 E	037 769 000 84 20	27	42	white plastic	6,0	100	
780 E	037 860 000 84 20	27	40	white plastic	6,0	100	with positioning ridge
782 E	037 959 000 89 20	27	42	transparent plastic	4,8	100	hinged on lower edge
782 G	037 952 000 89 20	27	27	transparent plastic	4,8	100	hinged on lower edge
783 E	037 969 000 89 20	27	42	transparent plastic	6,0	100	hinged on lower edge
783 G	037 962 000 89 20	27	27	transparent plastic	6,0	100	hinged on lower edge
784	037 753 000 84 20	27	30	white plastic	4,8	100	matches fitted flap E
S 782G	037 952 801 89 20	27	27	transparent plastic	4,8	100	no window at back

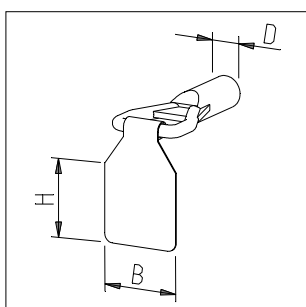
785 EPOS adapter for single prong hooks, white plastic



Artikel	Ref. no.	To fit wire Ø	VPE
785	030 150 000 84 20	4,8	100
786	030 160 000 84 20	6,0	100
787	030 170 000 84 20	7,0	100
788	030 180 000 84 20	8,0	100
790	030 110 000 84 20	10,0	100

Adapter without flap for retro fitting to single prong hooks. To be used with supplementary price flaps.

F785/.../ EPOS adapter for single prong hooks, white plastic



Artikel	Ref. no.	To fit wire Ø	VPE
785/D/	030 150 131 84 20	4,8	100
785/G/	030 150 132 84 20	4,8	100
785/E/	030 150 133 84 20	4,8	100
786/D/	030 160 131 84 20	6,0	100
786/G/	030 160 132 84 20	6,0	100
786/E/	030 160 133 84 20	6,0	100
787/D/	030 170 131 84 20	7,0	100
787/G/	030 170 132 84 20	7,0	100

Adapter with metal flap for retro fitting to single prong hooks. Flap sizes: width x height to shoulder = (B x H): D: 27 x 20 mm, E: 27 x 42 mm, G: 27 x 27 mm, B = 27 mm

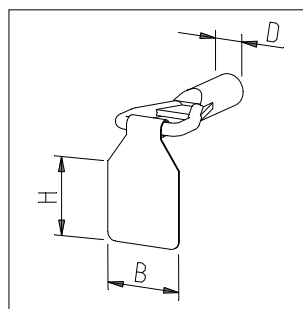


F785/.../ EPOS adapter for single prong hooks, white plastic



Artikel	Ref. no.	für Draht Ø	VPE
787/E/	030 170 133 84 20	7,0	100
788/D/	030 180 131 84 20	8,0	100
788/G/	030 180 132 84 20	8,0	100
788/E/	030 180 133 84 20	8,0	100
790/D/	030 110 131 84 20	10,0	100
790/G/	030 110 132 84 20	10,0	100
790/E/	030 110 133 84 20	10,0	100

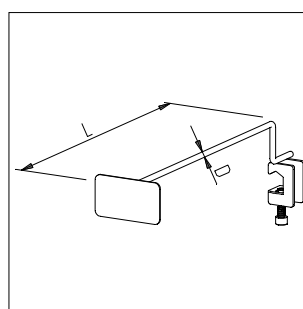
Adapter with metal flap for retro fitting to single prong hooks. Flap sizes: width x height to shoulder = [B x H]: D: 27 x 20 mm, E: 27 x 42 mm, G: 27 x 27 mm, B = 27 mm



A4060/.../B4060/... Supplementary price arm adapter for single prong hooks, bright zinc



Ref. no.	L	D	B	VE
031 102 ... 01 89	200	4,0	-	1
031 104 ... 01 89	300	4,0	-	1
031 103 ... 01 89	400	4,0	-	1
031 105 ... 01 89	500	4,0	-	1
031 104 ... 01 89	300	4,0	-	1
031 103 ... 01 89	400	4,0	-	1

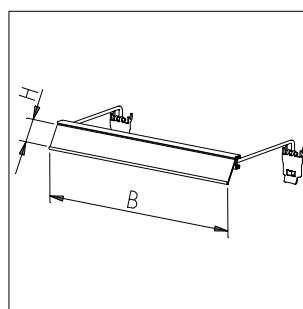


130 Information rail, transparent plastic



Ref. no.	B	H	VE
001 305 000 89 89	1000	45	1
001 306 000 89 89	1250	45	1

Rail supplied on its own

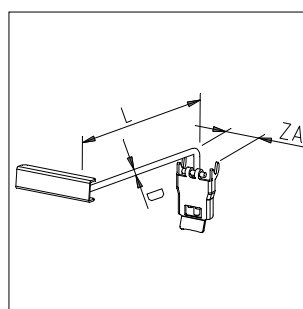


S4160H/S5160H Information rail arms, supplied in pairs



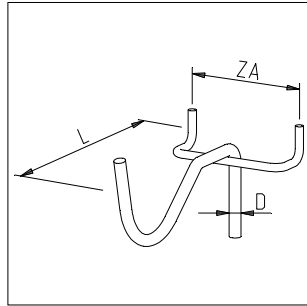
Ref. no.	L	D	B	ZA	VE
121 664 882 01 82	250	6,0	-	30	1
121 666 882 01 82	350	6,0	-	30	1
121 667 882 01 82	400	6,0	-	30	1
122 664 882 01 82	250	6,0	-	25	1
122 666 882 01 82	350	6,0	-	25	1
122 667 882 01 82	400	6,0	-	25	1

121 ... fits LA 15 mm, 122 ... fits LA 25 mm



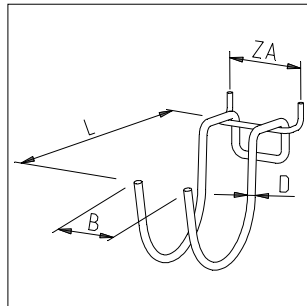
Fittings for pegmetal panels

1964 Single hook for drills etc., Ø 4, 8 mm, bright zinc



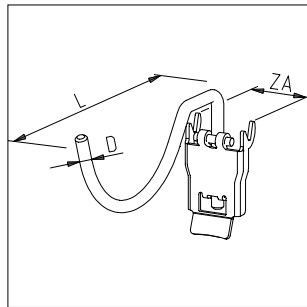
Ref. no.	L	D	B	ZA	VE
116 310 000 01 17	100	4,8	-	50	50
116 ... fits LA 25 mm					

1965 Twin hook for drills etc., Ø 4, 8 mm, bright zinc



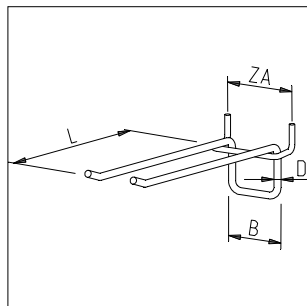
Ref. no.	L	D	B	ZA	VE
116 320 000 01 14	120	4,8	35	50	25
116 ... fits LA 25 mm					

11577... Drill holder, RAL 9006 silver



Ref. no.	L	D	B	ZA	VE
115 770 000 65 89	135	6,0	-	30	1
115 ... fits LA 15 mm					

1782/1792 Holder for hammers, clamps etc., Ø 4, 8 mm, bright zinc



Ref. no.	L	D	B	ZA	VE
113 111 000 01 14	200	4,8	40	45	25
114 111 000 01 14	200	4,8	40	50	25
113 ... fits LA 15 mm, 114 ... fits LA 25 mm					

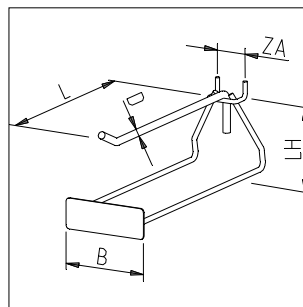


1739/1639 Holder for pliers, bright zinc



Ref. no.	L	D	B	ZA	VE
115 060 010 01 10	130	6,0	70	30	10
115 061 010 01 10	200	6,0	70	30	10
116 060 010 01 10	130	6,0	70	25	10
116 061 010 01 10	200	6,0	70	25	10

115 ... fits LA 15 mm, 116 ... fits LA 25 mm, LH = 53 mm

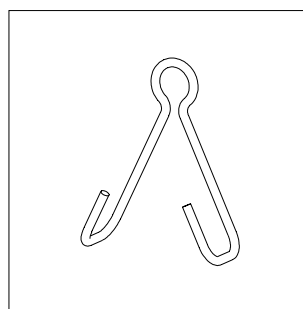


1814 Holder for spanners, bright zinc



Ref. no.	L	D	B	ZA	VE
106 020 000 01 20	30	2,0	-	-	100
106 021 000 01 20	40	2,0	-	-	100
106 022 000 01 20	50	2,0	-	-	100

106 ... to fit following spanner sizes: 06-15 : 30 mm, 16-24 : 40 mm, 24-42 : 50 mm

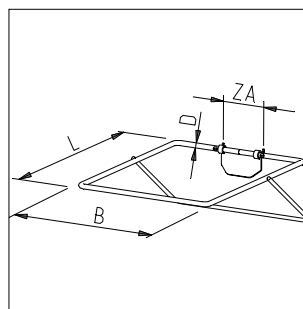


4968 Holder for broom handles, mouldings, tubes or for displaying shelf brackets, bright zinc



Ref. no.	L	D	B	ZA	VE
117 981 000 01 10	300	8,0	95	75	10
117 982 000 01 10	300	8,0	140	75	10
117 983 000 01 10	300	8,0	230	75	10

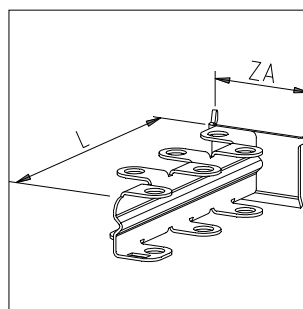
117 ... fits LA 15 mm and 25 mm



12733... Holder for 6 screwdrivers

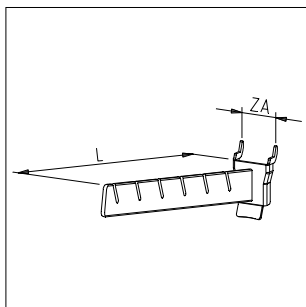


Ref. no.	L	D	B	ZA	VE
127 330 802 01 89	198	14	-	75	1



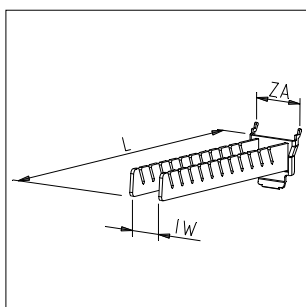
Fittings for pegmetal panels

1328 Single holder for 6 trowels, bright zinc



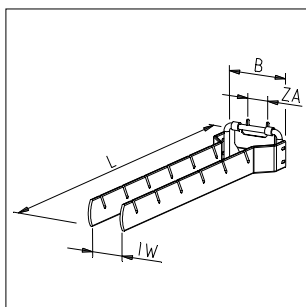
Ref. no.	L	D	B	ZA	VE
115 510 000 01 89	240	-	-	30	1
115 ... fits LA 15 mm					

1329 Double holder for 11 trowels, inner width 27 mm, bright zinc



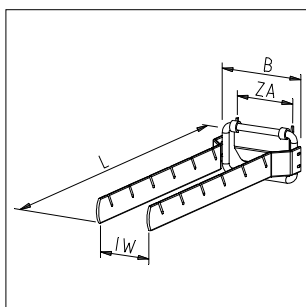
Ref. no.	L	D	IW	ZA	VE
115 520 000 01 89	240	-	27	45	1
115 ... fits LA 15 mm					

1355/1325 Holder for 6 trowels, inner width 37 mm, bright zinc



Ref. no.	L	B	IW	ZA	VE
115 990 000 01 89	310	78	37	30	1
116 990 000 01 89	310	78	37	25	1
115 ... fits LA 15 mm, 116 ... fits LA 25 mm					

1325 B Holder for 6 trowels, bright zinc



Ref. no.	L	B	IW	ZA	VE
117 990 000 01 89	310	106	65	75	1
117 ... fits LA 15 mm and 25 mm					

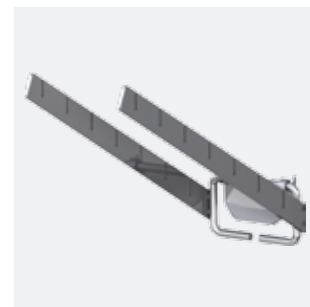
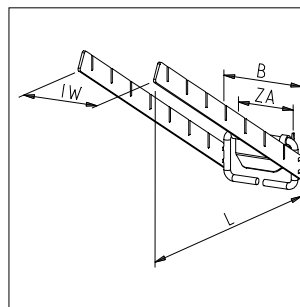


1314 Holder for 7 trowels, bright zinc



Ref. no.	L	B	IW	ZA	VE
117 960 000 01 14	390	106	100	75	25

117 ... fits LA 15 mm and 25 mm

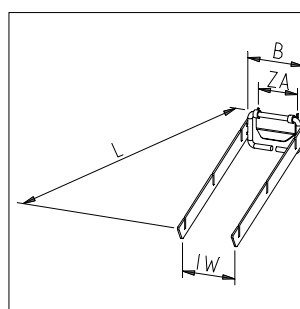


1317 Holder for 3 smoothing trowels, sloping downwards, bright zinc



Ref. no.	L	B	IW	ZA	VE
117 950 000 01 14	270	106	100	75	25

117 ... fits LA 15 mm and 25 mm

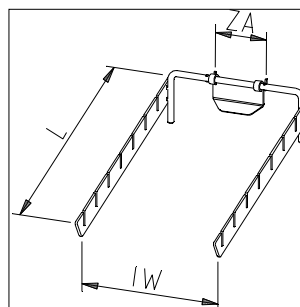


1316 Holder for 7 pad saws. sloping downwards, bright zinc



Ref. no.	L	B	IW	ZA	VE
117 940 000 01 14	280	-	200	75	25

117 ... fits LA 15 mm and 25 mm

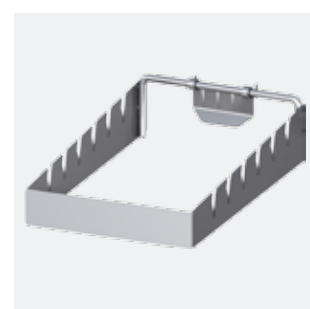
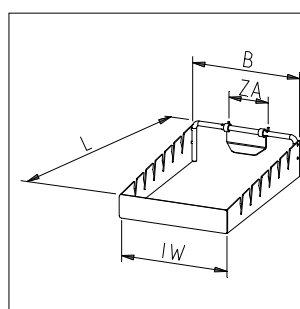


71323.6 Holder for saws and trowels, bright zinc



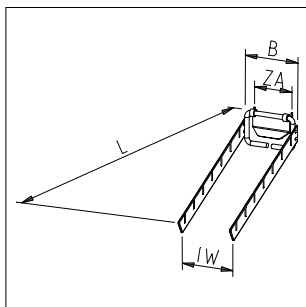
Ref. no.	L	B	IW	ZA	VE
117 760 058 01 14	300	203	200	75	25

117 ... fits LA 15 mm and 25 mm



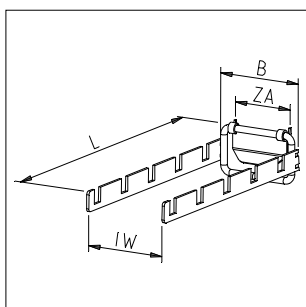
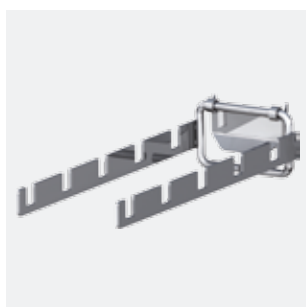
Fittings for pegmetal panels

1315 Holder for 7 saws, sloping downwards, bright zinc



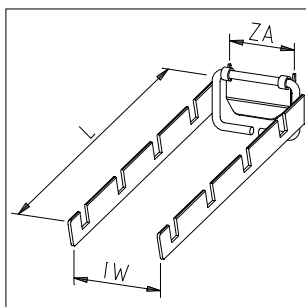
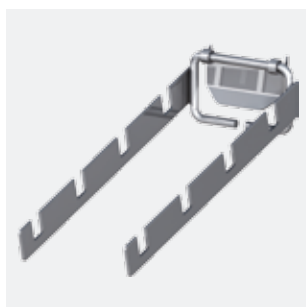
Ref. no.	L	B	IW	ZA	VE
117 930 000 01 14	280	106	100	75	25
117 ... fits LA 15 mm and 25 mm					

1313 Holder for 5 spades, horizontal, bright zinc



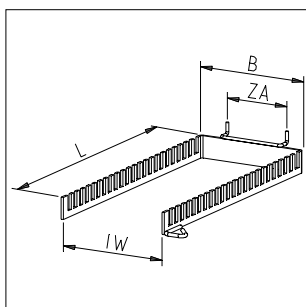
Ref. no.	L	B	IW	ZA	VE
117 920 000 01 89	320	106	100	75	1
117 ... fits LA 15 mm and 25 mm					

1312 Holder for 4 rakes or braces, sloping downwards, bright zinc



Ref. no.	L	B	IW	ZA	VE
117 910 000 01 14	300	-	100	75	25
117 ... fits LA 15 mm and 25 mm					

76063 Holder for ring and open spanners, bright zinc



Ref. no.	L	B	IW	ZA	VE
128 000 830 01 89	170	85	85	75	1
128 010 830 01 89	200	85	130	75	1
128 ... fits LA 15 mm and 25 mm					

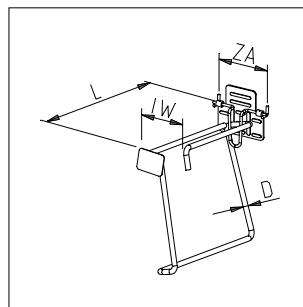


4960/.../ZS Hammer holder for pegmetal panels, Ø 7, 0 mm, bright zinc



Ref. no.	L	D	IW	ZA	VE
118 700 018 01 14	215	7,0	35	75	25
118 720 018 01 14	215	7,0	50	75	25
118 730 018 01 14	215	7,0	75	75	25

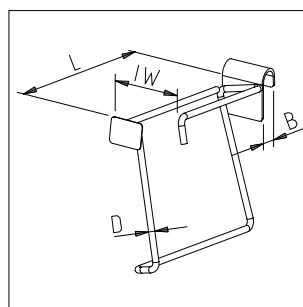
118 ... fits IA 15 mm and 25 mm



3960/.../ZS Hammer holder for 50 x 20 mm flat oval tube, Ø 7, 0 mm, bright zinc



Ref. no.	L	D	IW	B	VE
175 700 018 01 14	215	7,0	35	21	25
175 720 018 01 14	215	7,0	50	21	25

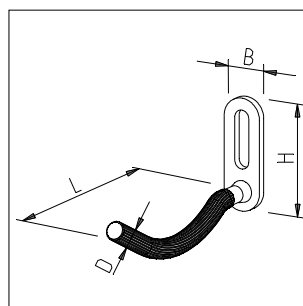


Hooks for screw fixing to panels

2882/2883 Tool and drill holder with rubber sleeve, bright zinc

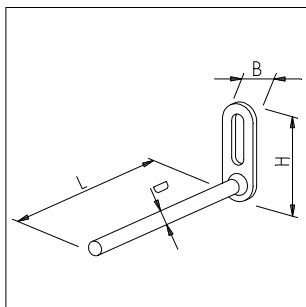


Ref. no.	L	D	B	H	VE
110 770 900 01 14	90	7,0	16	46	25
110 771 900 01 14	180	7,0	16	46	25



Fittings for pegmetal panels

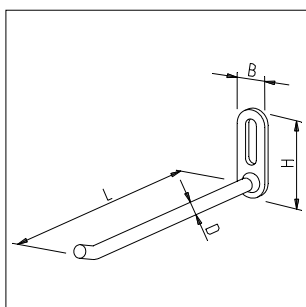
2880 Hook for screw fixing to backpanels, Ø 7,0 mm, bright zinc



Ref. no.	L	D	B	H	VE
110 570 000 01 17	100	7,0	16	46	50
110 574 000 01 17	200	7,0	16	46	50
110 576 000 01 17	300	7,0	16	46	50

110 ... to fit 15 and 25 mm, hole spacing use self tapper, ref 760881

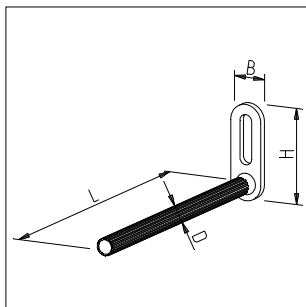
2890 Hook for screw fitting to backpanels, with upturned end, Ø 7,0 mm, bright zinc



Ref. no.	L	D	B	H	VE
110 670 000 01 17	100	7,0	16	46	50
110 674 000 01 17	200	7,0	16	46	50
110 676 000 01 17	300	7,0	16	46	50

110 ... to fit 15 and 25 mm, hole spacing use self tapper, ref 760881

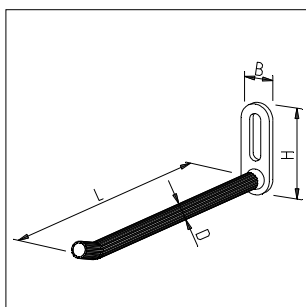
2881 Hook for screw fitting to backpanel, with rubber sleeve, Ø 7,0 mm, bright zinc



Ref. no.	L	D	B	H	VE
110 570 900 01 17	100	7,0	16	46	50
110 574 900 01 17	200	7,0	16	46	50
110 576 900 01 17	300	7,0	16	46	50

110 ... to fit 15 and 25 mm , hole spacing use self tapper, ref 760881

2891 Hook for screw fitting to backpanel with upturned end and rubber sleeve, Ø 7,0 mm, bright zinc



Ref. no.	L	D	B	H	VE
110 670 900 01 17	100	7,0	16	46	50
110 674 900 01 17	200	7,0	16	46	50
110 676 900 01 17	300	7,0	16	46	50

110 ... to fit 15 and 25 mm, hole spacing use self tapper, ref 760881

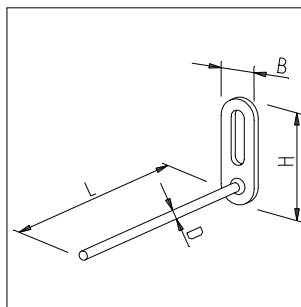


2870 Hook for screw fitting to backpanel, Ø 4,0 mm, bright zinc



Ref. no.	L	D	B	H	VE
110 540 000 01 17	40	4,0	16	46	50
110 542 000 01 17	60	4,0	16	46	50
110 543 000 01 17	80	4,0	16	46	50
110 545 000 01 17	120	4,0	16	46	50
110 547 000 01 17	170	4,0	16	46	50

110 ... to fit 15 and 25 mm, hole spacing use self tapper, ref 760881

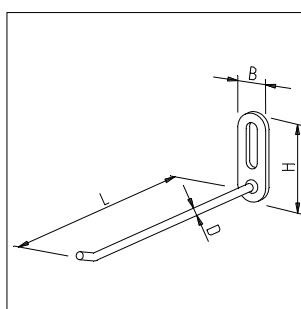


2872 Hook for screw fitting to backpanel, with upturned end, Ø 4,0 mm, bright zinc



Ref. no.	L	D	B	H	VE
110 647 000 01 20	170	4,0	16	46	100

110 ... to fit 15 and 25 mm, hole spacing use self tapper, ref 760881

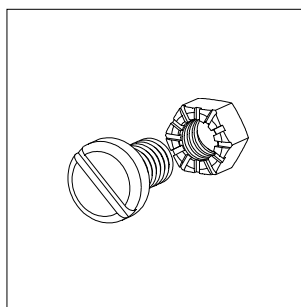


2874 Special nut and bolt for fitting into key hole panels, bright zinc



Ref. no.	VE
098 740 000 01 14	25

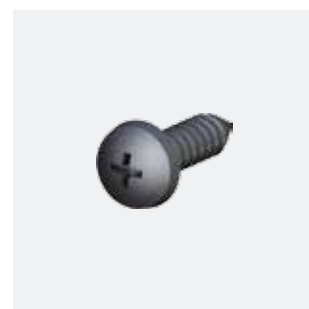
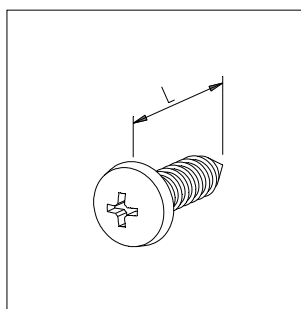
for fitting hooks ref 2870,2872, 2880, 2881 and 2891 in keyhole slot panels use special nut and bolt, ref 2874



760881 Self tapping screw DIN 7981 for fitting into backpanels, bright zinc



Ref. no.	L	D	VE
760 881 078 07 89	19	6,3	1
760 881 080 07 20	25	6,3	100

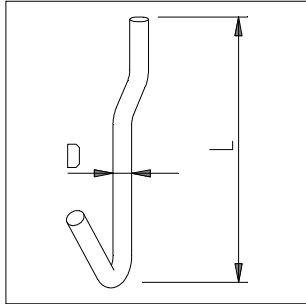


Fittings for
Continental Hardboard 
Key hole slot panels 



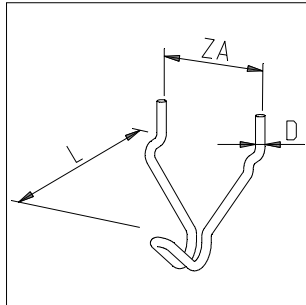
Fittings for Continental Hardboard (3 mm thick)

1870/1863 Single hook, bright zinc



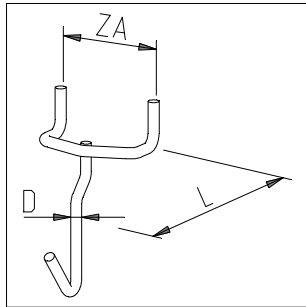
Ref. no.	L	D	ZA	VE
123 000 000 01 20	35	2,0	-	100
123 010 000 01 20	35	2,5	-	100

1938 Single hook bright, zinc



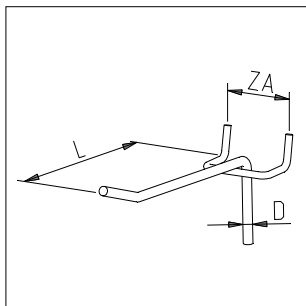
Ref. no.	L	D	ZA	VE
110 200 000 01 20	40	2,5	25	100

1800 Single hook, bright zinc



Ref. no.	L	D	B	ZA	VE	LA
123 100 000 01 20	50	3,5	-	-	100	15/25

1892 Single prong hook, bright zinc



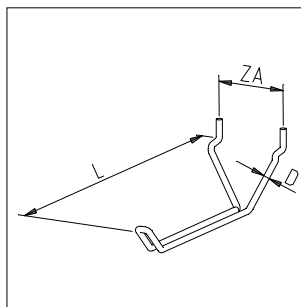
Ref. no.	L	D	ZA	VE
123 132 000 01 22	60	3,5	25	200
123 133 000 01 22	80	3,5	25	200
123 134 000 01 22	100	3,5	25	200
123 135 000 01 22	120	3,5	25	200
123 136 000 01 22	140	3,5	25	200
123 137 000 01 22	160	3,5	25	200
123 139 000 01 22	200	3,5	25	200



1968 Single hook, bright zinc



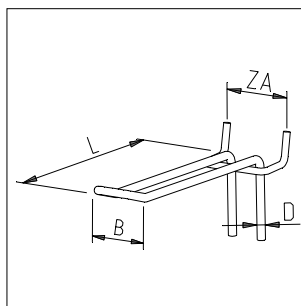
Ref. no.	L	D	ZA	VE
123 200 000 01 17	75	2,5	25	50



1593 Looped hook, bright zinc



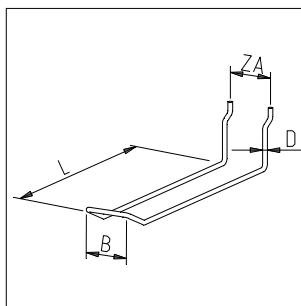
Ref. no.	L	D	B	ZA	VE
123 290 930 01 17	50	3,0	14	25	50
123 293 930 01 17	160	3,0	14	25	50
123 294 000 01 17	200	3,0	14	25	50



1803 Looped hook, bright zinc



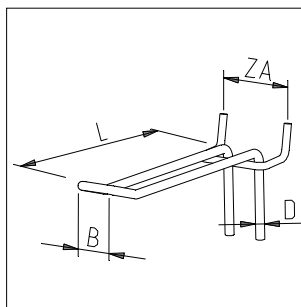
Ref. no.	L	D	B	ZA	VE
123 210 930 01 22	40	2,5	28	25	200
123 211 930 01 22	60	2,5	28	25	200
123 212 000 01 22	80	2,5	28	25	200
123 213 000 01 22	100	2,5	28	25	200
123 214 000 01 22	120	2,5	28	25	200
123 215 000 01 22	140	2,5	28	25	200
123 216 000 01 22	160	2,5	28	25	200
123 217 000 01 22	200	2,5	28	25	200



1973 Looped hook with fixed bridge, bright zinc

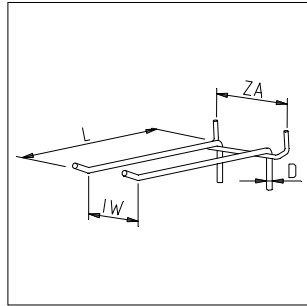


Ref. no.	L	D	B	ZA	VE
123 244 000 01 17	200	4,0	28	25	50



Fittings for Continental Hardboard (3 mm thick)

1884 Twin open hook with fixed bridge, bright zinc



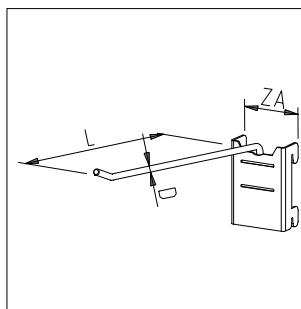
Ref. no.	L	D	B	ZA	VE
123 430 000 01 17	60	3,5	35	50	50
123 431 000 01 17	80	3,5	35	50	50



1411 Heavy duty single prong hook for key hole slot panels, bright zinc



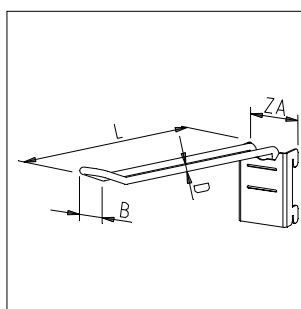
Ref. no.	L	D	B	ZA	VE
225 160 000 01 20	200	6,0	-	45	100
225 180 000 01 20	300	8,0	-	45	100
225 111 000 01 17	400	10,0	-	45	50



1412 Heavy duty looped hook for key hole slot panels, Ø 4,8 mm, bright zinc



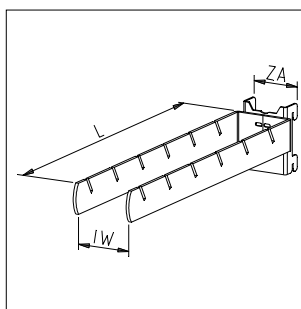
Ref. no.	L	D	B	ZA	VE
225 250 000 01 20	200	4,8	28	45	100
225 251 000 01 20	300	4,8	28	45	100



1415.3/1415.6 Trowel holder, horizontal, for key hole slot panels, bright zinc



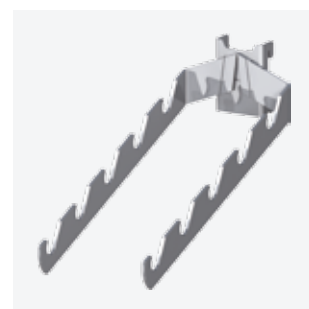
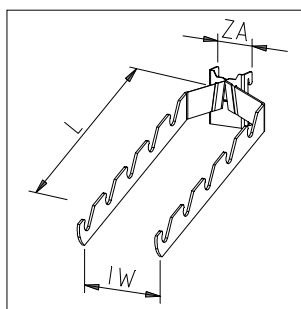
Ref. no.	L	IW	ZA	VE
225 360 000 01 17	300	30	45	50
225 660 000 01 17	300	60	45	50



1424 Brace holder, downward sloping, for key hole slot panels, bright zinc

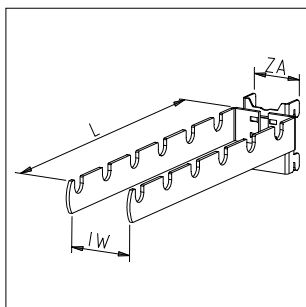


Ref. no.	L	IW	ZA	VE
225 400 000 01 17	300	100	45	50



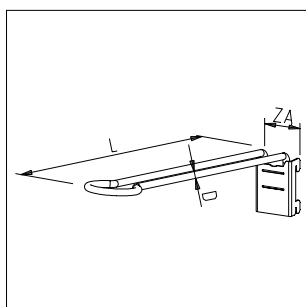
Fittings for key hole slot panels

1405.6 Tool holder for key hole slot panels, bright zinc



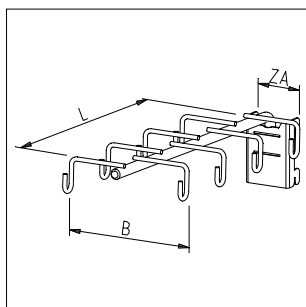
Ref. no.	L	IW	ZA	VE
225 670 000 01 17	300	60	45	50

1484 Garden tool holder for key hole slot panels, bright zinc



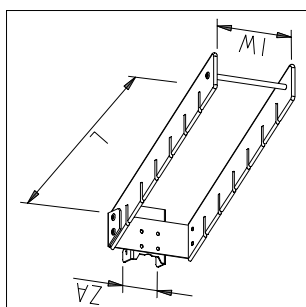
Ref. no.	L	D	B	ZA	VE
225 380 000 01 17	400	8,0	-	45	50

1428 Holder for tools without handles, key hole slot panels, bright zinc



Ref. no.	L	D	B	ZA	VE
225 700 000 01 17	300	-	110	45	50

1425 Hacksaw holder for key hole slot panels, bright zinc, black plastic



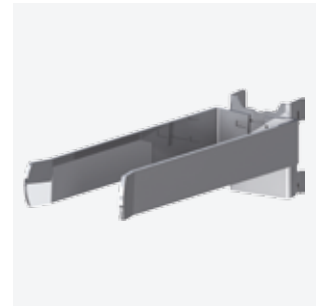
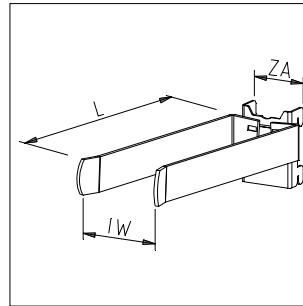
Ref. no.	L	IW	ZA	VE
225 410 000 01 17	300	100	45	50



1479 Holder for supporting handles, inner width 60 mm, for key hole slot panels, bright zinc



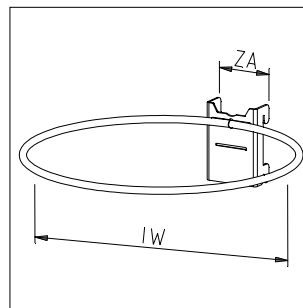
Ref. no.	L	IW	ZA	VE
225 690 000 01 17	240	60	45	50
225 692 000 01 17	400	60	45	50



1429 Circular holder for key hole slot panels, bright zinc



Ref. no.	L	IW	ZA	VE
225 760 000 01 17	-	230	45	50

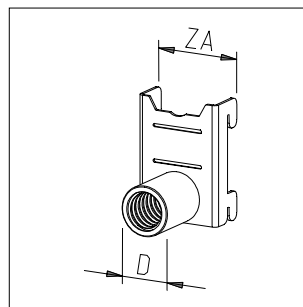


1402/1403 Threaded rod holder for key hole slot panels, bright zinc



Ref. no.	L	D	ZA	VE
225 900 000 01 89	-	20,0	45	1
225 910 000 01 89	-	20,0	45	1

225 900 ... internal thread
 225 910 ... external thread

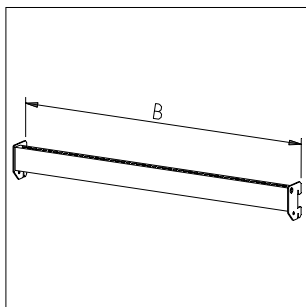
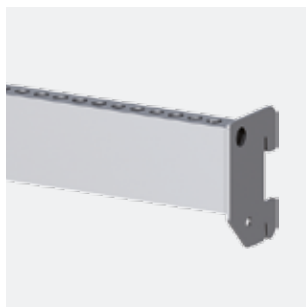


Fittings for rectangular rear support bars



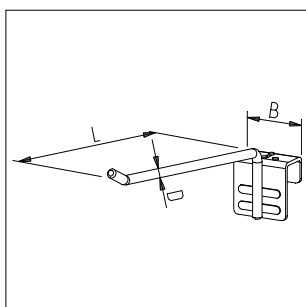
Fittings for rectangular rear support bars

6351 Perforated rear support bar, 50x20mm, epoxy coated



Ref. no.	B	VE
158 001 000 ... 89	665	1
158 002 000 ... 89	1000	1
158 003 000 ... 89	1250	1
158 004 000 ... 89	1330	1
RAL 9010 pure white:		158 ... 67 ...
RAL 9001 cream white:		158 ... 60 ...
RAL 7035 light grey:		158 ... 56 ...

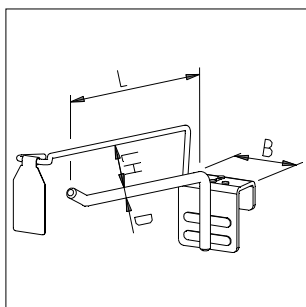
3406.8/3416.8 Single prong hook, bright zinc



Ref. no.	L	D	B	VE
168 180 000 01 20	200	8,0	50	100
168 181 000 01 20	250	8,0	50	100
168 182 000 01 20	300	8,0	50	100
168 184 000 01 17	400	8,0	50	50
168 112 000 01 17	400	10,0	50	50
168 114 000 01 17	500	10,0	50	50

With lug to fit into perforated, rear support bar

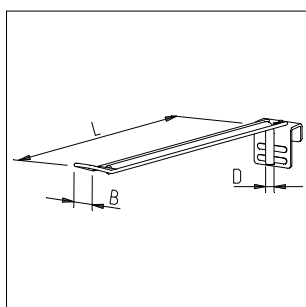
F3406.8/F3416.8 Single prong back bar hook, with overarm and price flap, bright zinc



Ref. no.	L	D	B	VE
168 182 333 01 89	300	8,0	50	1
168 112 133 01 89	400	10,0	50	1

With lug to fit into perforated, rear support bar

3410.8 Extra heavy duty, back bar hook, bright zinc



Ref. no.	L	D	B	VE
168 291 000 01 89	300	10,0	28	1
168 293 000 01 89	400	10,0	28	1
168 294 000 01 89	450	10,0	28	1
168 295 000 01 89	500	10,0	28	1

With lug to fit into perforated, rear support bar

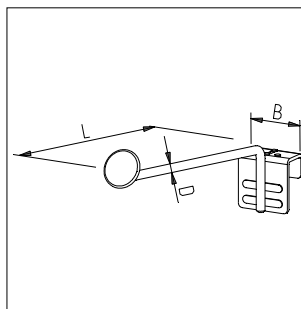


3406.1/3416.1/ 3426.1 Back bar hook, with round price plate, bright zinc



Ref. no.	L	D	B	VE
168 181 081 01 17	250	8,0	50	50
168 112 081 01 17	400	10,0	50	50
168 123 081 01 17	450	12,0	50	50

With lug to fit into perforated, rear support bar

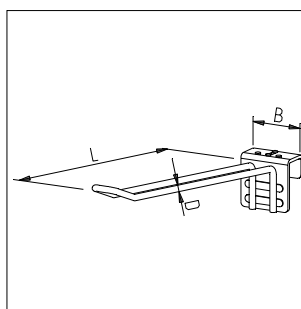


73491.8 Looped backbar hook, bright zinc



Ref. no.	L	D	B	VE
168 252 000 01 89	200	4,8	50	1
168 254 000 01 89	300	4,8	50	1
168 257 000 01 89	400	4,8	50	1

With lug to fit into perforated, rear support bar

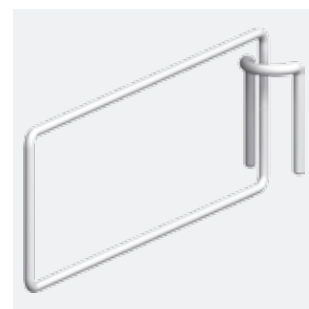
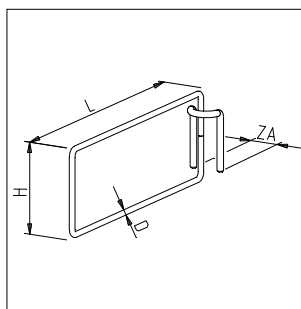


72013 Divider arm, RAL 9001 cream white



Ref. no.	L	D	H	ZA	VE
177 701 000 60 89	320	7,0	115	37,5	1
177 703 000 60 89	420	7,0	115	37,5	1
177 706 000 60 89	520	7,0	115	37,5	1

Fits rectangular rear support bar

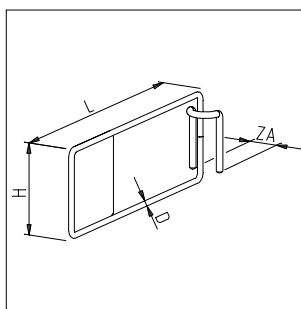


72013 B Divider arm with plate, RAL 9001 cream white



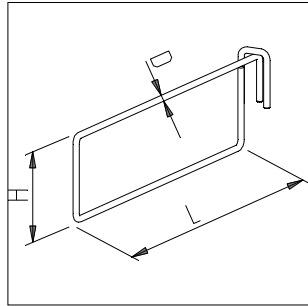
Ref. no.	L	D	H	ZA	VE
177 701 861 60 89	320	7,0	115	37,5	1
177 703 861 60 89	420	7,0	115	37,5	1
177 706 861 60 89	520	7,0	115	37,5	1

Fits rectangular rear support bar



Fittings for rectangular rear support bars

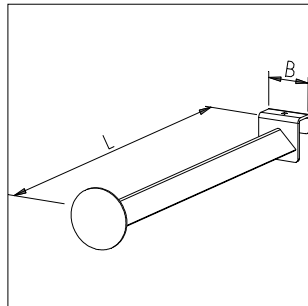
16070 Universal Divider, right, left, centre, RAL 7035 light grey



Ref. no.	L	D	H	ZA	VE
160 703 000 56 89	420	8,0	115	45	1

Fits rectangular rear support bar

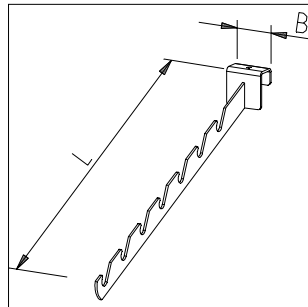
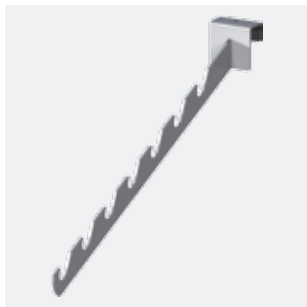
3427 Angled arm with price plate, 70 mm dia, bright zinc



Ref. no.	L	D	B	VE
169 400 082 01 17	400	-	50	50

With lug to fit into perforated, rear support bar

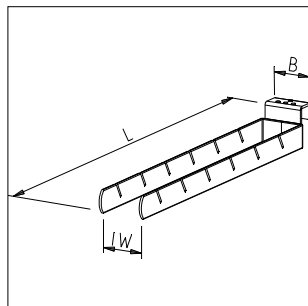
3418 Notched arm, bright zinc



Ref. no.	L	D	B	VE
168 590 000 01 17	420	-	50	50

With lug to fit into perforated, rear support bar

3419.6 Halter für 6 Mauerkellen, gerade, glanzverzinkt



Ref. no.	L	IW	B	VE
169 620 000 01 89	400	60	50	1

Without lug in saddle; fits all 20 mm, rectangular rear support bar

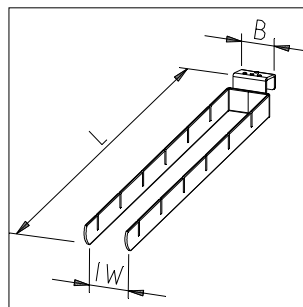


3420.6 Holder for 6 trowels, sloping downwards, bright zinc



Ref. no.	L	IW	B	VE
169 630 000 01 89	400	60	50	1

Without lug in saddle; fits all 20 mm, rectangular rear support bar

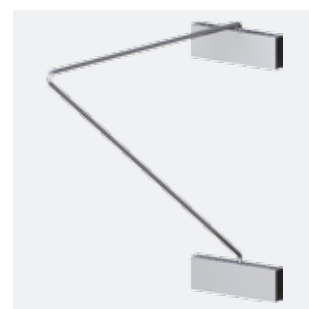
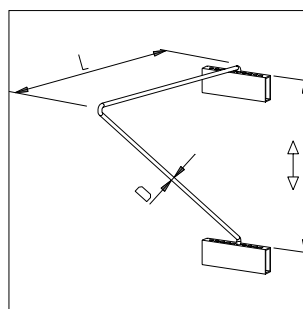


75133.9/75134.0 Swinging arm, bright zinc



Ref. no.	L	D	B	VE
160 690 000 01 89	550	8,0	-	1
160 691 000 01 89	750	8,0	-	1

To fit into two perforated rear support bars

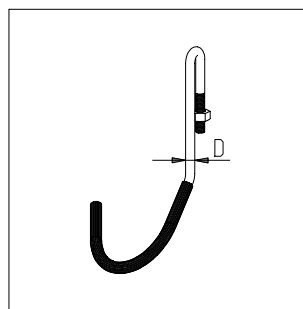


3438 Bicycle holder, also for mountain bikes, Ø 7,0 mm, bright zinc



Ref. no.	L	D	B	VE
160 470 900 01 10	-	7,0	-	10

Supplied with fittings for perforated rectangular rear support bars

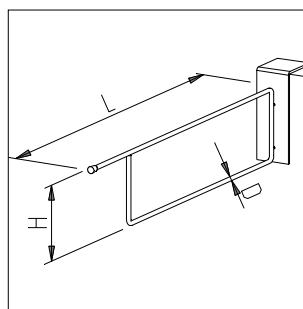


171900... Divider arm with upper extension, bright zinc



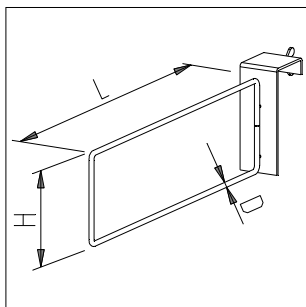
Ref. no.	L	D	H	VE
171 900 000 01 89	495	6,0	105	1

Suitable for backbars up to 50 mm width, incl. screw fitting



Fittings for rectangular rear support bars

171901..., Divider arm, bright zinc

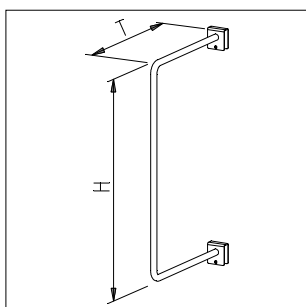


Ref. no.	L	D	H	VE
----------	---	---	---	----

171 901 801 01 89	395	6,0	115	1
-------------------	-----	-----	-----	---

Suitable for backbars up to 50 mm width, incl. screw fitting

27980... Divider arm for rectangular rear support bars 50 x 20 mm, RAL 9010 pure white

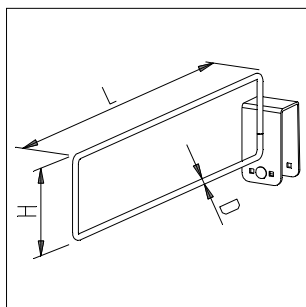


Ref. no.	T	H	VE
----------	---	---	----

279 800 000 67 89	400	720	1
-------------------	-----	-----	---

For 50 mm slot pitch, suitable for backbars up to 20 mm width

72113... Divider arm, bright zinc

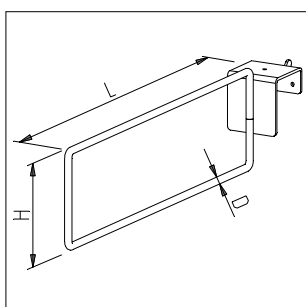


Ref. no.	T	D	H	VE
----------	---	---	---	----

164 880 000 01 89	500	8,0	120	1
-------------------	-----	-----	-----	---

Suitable for backbars up to 40 mm width, incl. screw fitting

17197... Divider arm for heavy duty, shelving, for 50 mm bars, bright zinc



Ref. no.	L	D	H	VE
----------	---	---	---	----

171 970 000 01 89	400	8,0	115	1
-------------------	-----	-----	-----	---

171 971 000 01 89	500	8,0	115	1
-------------------	-----	-----	-----	---

171 972 000 01 89	600	8,0	115	1
-------------------	-----	-----	-----	---

171 973 000 01 89	700	8,0	115	1
-------------------	-----	-----	-----	---

171 974 000 01 89	900	8,0	115	1
-------------------	-----	-----	-----	---

171 975 000 01 89	1100	8,0	115	1
-------------------	------	-----	-----	---

171 976 000 01 89	750	8,0	115	1
-------------------	-----	-----	-----	---

Incl. wing nut M5 x 16

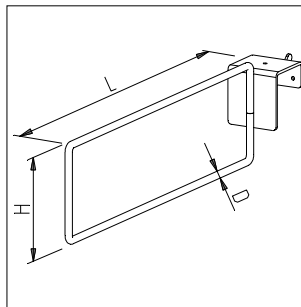


17196... Divider arm for heavy duty, shelving for 40 mm rear support bars, bright zinc



Ref. no.	L	D	H	VE
171 960 000 01 89	400	8,0	115	1
171 961 000 01 89	500	8,0	115	1
171 962 000 01 89	600	8,0	115	1
171 963 000 01 89	700	8,0	115	1
171 965 000 01 89	1100	8,0	115	1
171 966 000 01 89	750	8,0	115	1

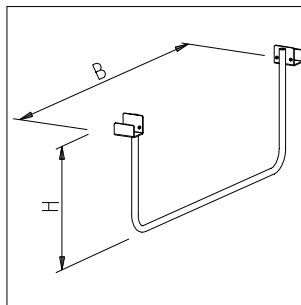
Incl. wing nut M5 x 16



117193... Door and window divider for heavy duty shelving, for 50 mm bars, bright zinc



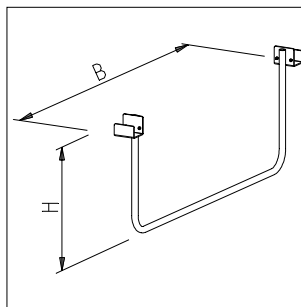
Ref. no.	B	H	VE
171 930 801 01 89	1050	400	1
171 930 802 01 89	1050	500	1
171 931 801 01 89	1200	400	1
171 931 802 01 89	1200	500	1
171 932 802 01 89	800	500	1



17194...Door and window divider for heavy duty shelving, for 40 mm bars, bright zinc



Ref. no.	B	H	VE
171 940 802 01 89	1050	500	1
171 941 802 01 89	1200	500	1

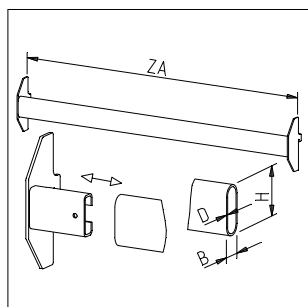
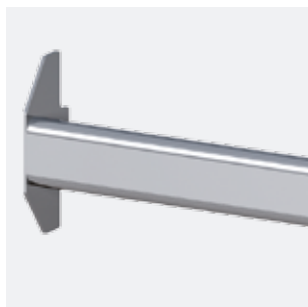


Fittings for tubular rear support bars



Fittings for tubular rear support bars

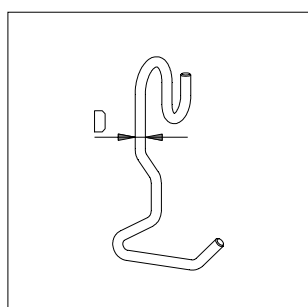
6251/6252 Rear support bar, 50 x 20 mm flat oval tube, heavy duty chrome plated



Ref. no.	H	D	B	ZA	VE
155 000 000 04 89	50	2,0	20	625	1
155 001 000 04 89	50	2,0	20	665	1
155 002 000 04 89	50	2,0	20	1000	1
155 003 000 04 89	50	2,0	20	1250	1

Supplied with end adapters.
These fit into most slotted uprights.

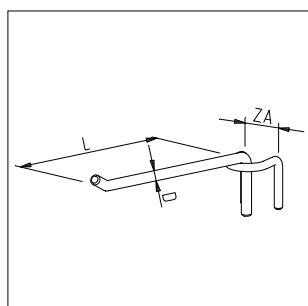
76012 Bag hook chrome plated



Ref. no.	L	D	ZA	VE
102 530 000 04 20	92	4,8	-	100

for 50 x 20 mm rear support bar

6108/7108 Single prong hook Ø 8,0 mm chrome plated



Ref. no.	L	D	ZA	VE
166 180 000 04 89	200	8,0	37,5	1
166 182 000 04 89	300	8,0	37,5	1
166 184 000 04 89	400	8,0	37,5	1
166 192 000 04 89	460	8,0	37,5	1
166 186 000 04 89	500	8,0	37,5	1

167 180 000 04 89	200	8,0	37,5	1
167 182 000 04 89	300	8,0	37,5	1
167 184 000 04 89	400	8,0	37,5	1
167 192 000 04 89	460	8,0	37,5	1
167 186 000 04 89	500	8,0	37,5	1

for 50 x 20 mm rear support bar,
166 ... claw fitting over the bar, 167 ... claw fitting into the bar

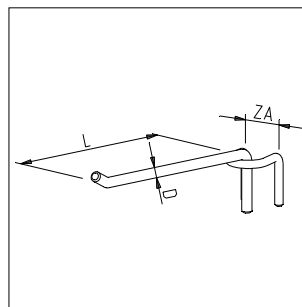


6110/7110 Single prong hook Ø 10,0 mm chrome plated



Ref. no.	L	D	ZA	VE
166 112 000 04 89	300	10,0	37,5	1
166 114 000 04 89	400	10,0	37,5	1
166 116 000 04 89	500	10,0	37,5	1
167 112 000 04 89	300	10,0	37,5	1
167 114 000 04 89	400	10,0	37,5	1
167 116 000 04 89	500	10,0	37,5	1

for 50 x 20 mm rear support bar,
166 ... claw fitting over the bar, 167 ... claw fitting into the bar

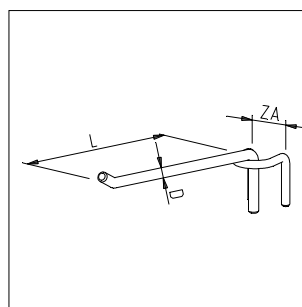


6112/7112 Single prong hook Ø12,0 mm chrome plated



Ref. no.	L	D	ZA	VE
166 120 000 04 89	300	12,0	70	1
166 121 000 04 89	400	12,0	70	1
166 123 000 04 89	500	12,0	70	1
167 120 000 04 89	300	12,0	37,5	1
167 121 000 04 89	400	12,0	37,5	1
167 123 000 04 89	500	12,0	37,5	1

for 50 x 20 mm rear support bar,
166 ... claw fitting over the bar, 167 ... claw fitting into the bar

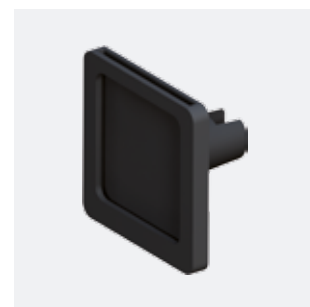
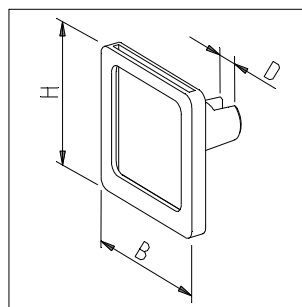


78015/78025/78035 Supplementary price/size plate black plastic



Ref. no.	D	B	H	VE
036 080 000 87 89	8,0	40	40	1
036 100 000 87 89	10,0	40	40	1
036 120 000 87 89	12,0	40	40	1

for heavy duty single prong hooks
for Ø 8,0
for Ø 10,0
for Ø 12,0

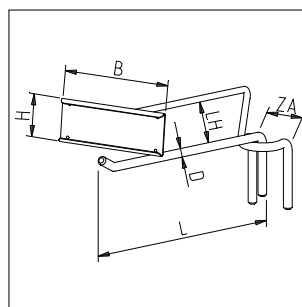


6208/7208 Single prong hook with price plate Ø 8,0 mm chrome plated



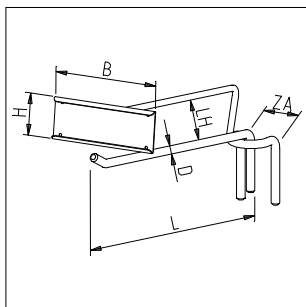
Ref. no.	L	D	LH	ZA	VE
166 180 501 04 89	200	8,0	38	37,5	1
166 182 501 04 89	300	8,0	38	37,5	1
166 184 501 04 89	400	8,0	38	37,5	1
167 180 501 04 89	200	8,0	38	37,5	1
167 182 501 04 89	300	8,0	38	37,5	1
167 184 501 04 89	400	8,0	38	37,5	1

for 50 x 20 mm rear support bar,
166 ... claw fitting over the bar, 167 ... claw fitting into the bar,
Size of price plate B = 90 mm, H = 40 mm



Fittings for tubular rear support bars

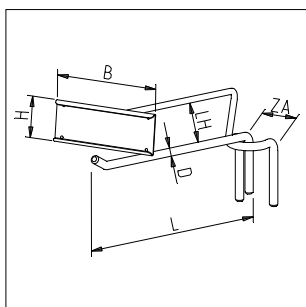
6210/7210 Single prong hook with price plate Ø 10,0 mm chrome plated



Ref. no.	L	D	LH	ZA	VE
166 114 501 04 89	400	10,0	38	37,5	1
167 114 501 04 89	400	10,0	38	37,5	1

for 50 x 20 mm rear support bar,
166 ... claw fitting over the bar,
167 ... claw fitting into the bar,
Size of price plate B = 90 mm, H = 40 mm

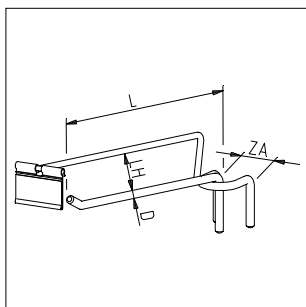
6212/7212 Single prong hook with price plate Ø 12,0 mm chrome plated



Ref. no.	L	D	LH	ZA	VE
166 121 501 04 89	400	12,0	38	70	1
166 123 501 04 89	500	12,0	38	70	1
167 121 501 04 89	400	12,0	38	37,5	1
167 123 501 04 89	500	12,0	38	37,5	1

for 50 x 20 mm rear support bars
166 ... claw fitting over bar
167 ... claw fitting into bar
Size of price plate B = 90 mm, H = 40 mm

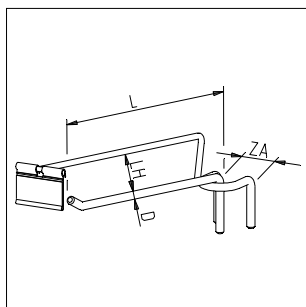
A6108/.../A7108/... Single prong hook with swinging ticket holder Ø 8,0 mm chrome plated



Ref. no.	L	D	LH	ZA	VE
166 180 ... 04 89	200	8,0	38	37,5	1
166 182 ... 04 89	300	8,0	38	37,5	1
166 184 ... 04 89	400	8,0	38	37,5	1
166 186 ... 04 89	500	8,0	38	37,5	1
167 180 ... 04 89	200	8,0	38	37,5	1
167 182 ... 04 89	300	8,0	38	37,5	1
167 184 ... 04 89	400	8,0	38	37,5	1
167 186 ... 04 89	500	8,0	38	37,5	1

for 50 x 20 mm rear support bars, 166 ... claw fitting over bar, 167 ... claw fitting into bar,
Choice of ticket holders. Please refer to page 33 in section 1.

A6110/.../A7110/... Single prong hook with swinging ticket holder Ø 10,0 mm chrome plated



Ref. no.	L	D	LH	ZA	VE
166 112 ... 04 89	300	10,0	38	37,5	1
166 114 ... 04 89	400	10,0	38	37,5	1
166 116 ... 04 89	500	10,0	38	37,5	1
167 112 ... 04 89	300	10,0	38	37,5	1
167 114 ... 04 89	400	10,0	38	37,5	1
167 116 ... 04 89	500	10,0	38	37,5	1

for 50 x 20 mm rear support bars, 166 ... claw fitting over bar, 167 ... claw fitting into bar,
Choice of ticket holders. Please refer to page 33 in section 1.

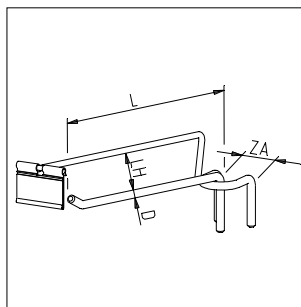


A 6112/.../A7112/... Single prong hook with swinging ticket holder Ø 12,0 mm chrome plated



Ref. no.	L	D	LH	ZA	VE
166 121 ... 04 89	400	12,0	38	70	1
166 123 ... 04 89	500	12,0	38	70	1
167 121 ... 04 89	400	12,0	38	37,5	1
167 123 ... 04 89	500	12,0	38	37,5	1

for 50 x 20 mm rear support bars,
 166 ... claw fitting over bar, 167 ... claw fitting into bar,
 Choice of ticket holders. Please refer to page 33 in section 1.

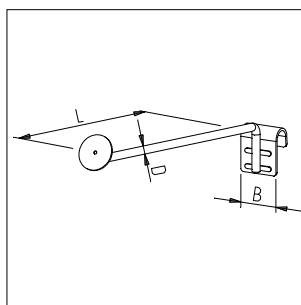


14160/14260 Single prong hook with price plate chrome plated



Ref. no.	L	D	B	VE
175 111 081 04 89	400	10,0	50	1
175 121 081 04 89	400	12,0	50	1

for 50 x 20 mm rear support bars

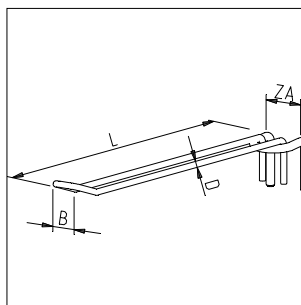


6406/7406 Looped hook Ø 6,0 mm chrome plated



Ref. no.	L	D	B	ZA	VE
166 260 000 04 89	200	6,0	28	37,5	1
166 261 000 04 89	300	6,0	28	37,5	1
166 262 000 04 89	400	6,0	28	37,5	1
166 263 000 04 89	500	6,0	28	37,5	1
167 260 000 04 89	200	6,0	28	37,5	1
167 261 000 04 89	300	6,0	28	37,5	1
167 262 000 04 89	400	6,0	28	37,5	1
167 263 000 04 89	500	6,0	28	37,5	1

for 50 x 20 mm rear support bars,
 166 ... claw fitting over bar, 167 ... claw fitting into bar

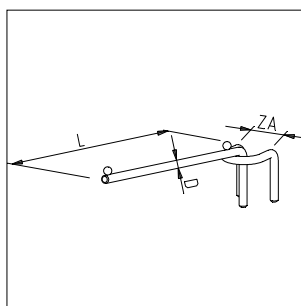


6163/7163 Single prong hook with two balls Ø 12,0 mm chrome plated



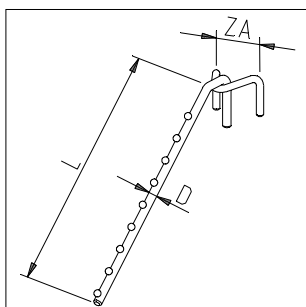
Ref. no.	L	D	B	ZA	VE
166 030 852 04 89	500	12,0	-	70	1

for 50 x 20 mm rear support bars,
 166 ... claw fitting over bar



Fittings for tubular rear support bars

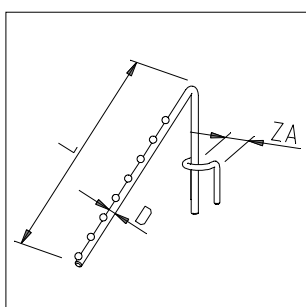
6151/7151 Hanging arm with balls Ø 12,0 mm chrome plated



Ref. no.	L	D	B	ZA	VE
166 532 859 04 89	370	12,0	-	70	1
166 536 862 04 89	490	12,0	-	70	1
166 537 864 04 89	570	12,0	-	70	1
167 532 859 04 89	370	12,0	-	37,5	1
167 536 862 04 89	490	12,0	-	37,5	1
167 537 864 04 89	570	12,0	-	37,5	1

for 50 x 20 mm rear support bars,
166 ... claw fitting over bar, 167 ... claw fitting into bar

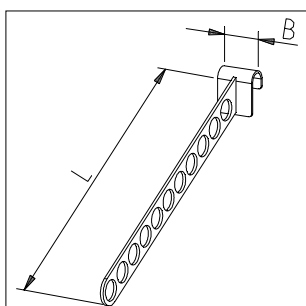
6145 Hanging arm with balls and support Ø 10,0 mm chrome plated



Ref. no.	L	D	B	ZA	VE
166 510 858 04 89	380	10,0	-	37,5	1

for 50 x 20 mm rear support bars

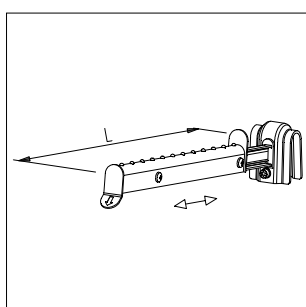
14250 Sloping arm for hanging merchandise chrome plated



Ref. no.	L	D	B	VE
175 565 814 04 89	500	-	50	1

for 50 x 20 mm rear support bars

299 Telescopic arm for hanging merchandise, automatic return chrome plated



Ref. no.	L	D	B	VE
175 500 940 04 89	300	-	-	1
175 501 940 04 89	400	-	-	1
175 503 940 04 89	500	-	-	1

for 50 x 20 mm rear support bars

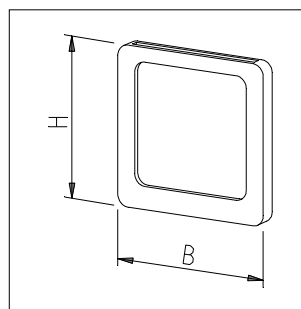


78005 Supplementary price/size plate black plastic



Ref. no.	H	B	VE
036 000 000 87 89	56	56	1

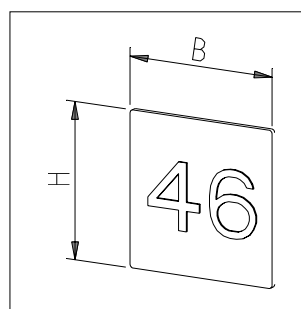
Fittings especially for item ref. 299



78010 Numbers for inserting into supplementary price plate white plastic with black numbers



Ref. no.	Nr.	Ref. no.	Nr.
036 410 823 90 89	23	036 410 842 90 89	42
036 410 824 90 89	24	036 410 843 90 89	43
036 410 825 90 89	25	036 410 844 90 89	44
036 410 826 90 89	26	036 410 845 90 89	45
036 410 827 90 89	27	036 410 846 90 89	46
036 410 828 90 89	28	036 410 847 90 89	47
036 410 829 90 89	29	036 410 848 90 89	48
036 410 830 90 89	30	036 410 849 90 89	49
036 410 831 90 89	31	036 410 850 90 89	50
036 410 832 90 89	32	036 410 851 90 89	51
036 410 833 90 89	33	036 410 852 90 89	52
036 410 834 90 89	34	036 410 853 90 89	53
036 410 835 90 89	35	036 410 854 90 89	54
036 410 836 90 89	36	036 410 928 90 89	128
036 410 837 90 89	37	036 410 940 90 89	140
036 410 838 90 89	38	036 410 952 90 89	152
036 410 839 90 89	39	036 410 964 90 89	164
036 410 840 90 89	40	036 410 976 90 89	176
036 410 841 90 89	41		



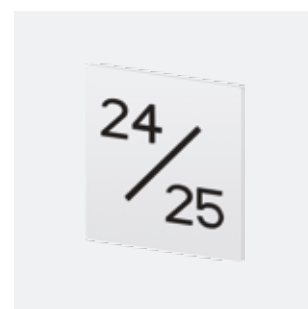
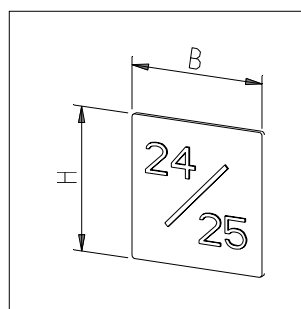
Each sheet contains 24 identical single numbers
Dimensions H = 45 mm, B = 45 mm

78012 Numbers for inserting into supplementary price plate white plastic with black numbers



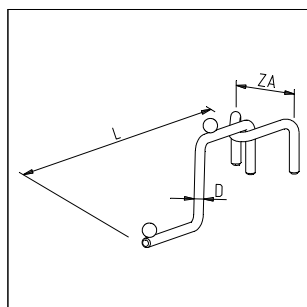
Ref. no.	Nr.	Ref. no.	Nr.
036 420 037 90 89	37/38	036 420 056 90 89	56/58
036 420 039 90 89	39/40	036 420 058 90 89	58/60
036 420 041 90 89	41/42	036 420 062 90 89	62/68
036 420 043 90 89	43/44	036 420 074 90 89	74/80
036 420 045 90 89	45/46	036 420 086 90 89	86/92
036 420 046 90 89	46/47	036 420 098 90 89	98/104
036 420 048 90 89	48/50	036 420 104 90 89	104/110

Each sheet contains 24 identical twin numbers
Dimensions H = 45 mm, B = 45 mm



Fittings for tubular rear support bars

6166.2/7166.2 Stepped arm Ø 10,0 mm chrome plated



Ref. no.	L	D	ZA	VE
166 300 852 04 89	200	10,0	70	1

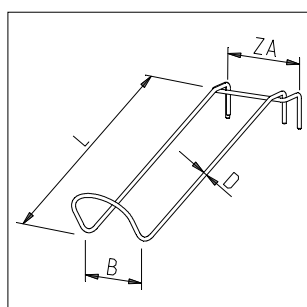
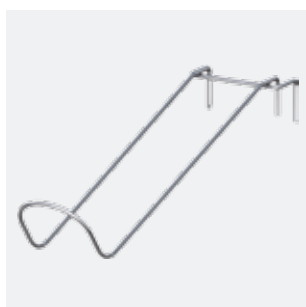
167 300 852 04 89	200	10,0	70	1
-------------------	-----	------	----	---

for 50 x 20 mm rear support bars

166 ... claw fitting over bar

167 ... claw fitting into bar

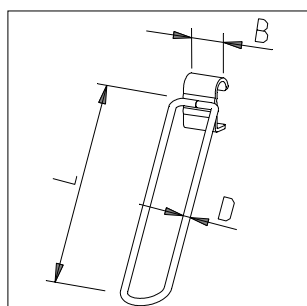
6220 Ball holder Ø 8,0 mm chrome plated



Ref. no.	L	D	B	ZA	VE
176 480 000 04 89	500	8,0	145	162,5	1

for 50 x 20 mm rear support bars

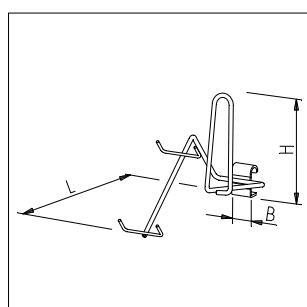
71728.1 Holder for inline skates Ø 8,0 mm chrome plated



Ref. no.	L	D	B	VE
165 480 000 04 89	400	8,0	40	1

for 50 x 20 mm rear support bars

6294 Shoe display holder (upper and sole) Ø 8,0 mm chrome plated



Ref. no.	L	D	B	H	VE
165 390 000 04 89	400	8,0	40	250	1

for 50 x 20 mm rear support bars

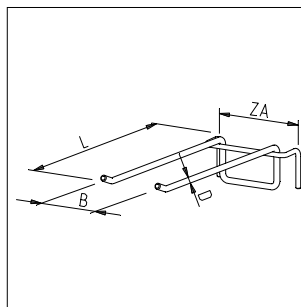


6168/6170 Twin open hook for squash racquets, bags etc. chrome plated



Ref. no.	L	D	B	ZA	VE
176 200 000 04 89	300	8,0	113	150	1
176 211 000 04 89	400	10,0	113	150	1
176 212 000 04 89	500	10,0	113	150	1

for 50 x 20 mm rear support bars

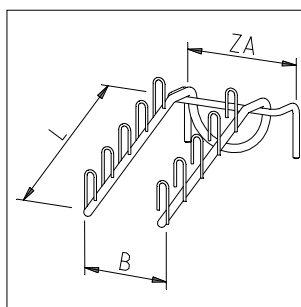


6156.5 Holder for 5 tennis racquets Ø 10,0 mm chrome plated



Ref. no.	L	D	B	ZA	VE
176 610 805 04 89	300	10,0	112	150	1

for 50 x 20 mm rear support bars

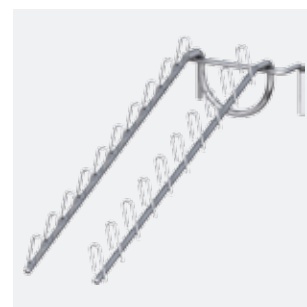
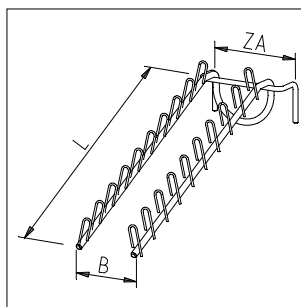


6156 Holder for 10 tennis racquets Ø 10,0 mm chrome plated



Ref. no.	L	D	B	ZA	VE
176 611 810 04 89	500	10,0	112	150	1

for 50 x 20 mm rear support bars



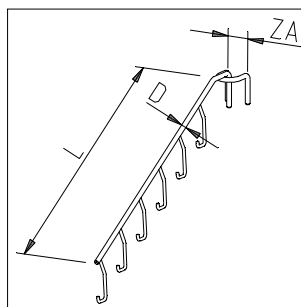
6278.6/7278.6 Holder for 6 tennis racquets Ø 8,0 mm chrome plated



Ref. no.	L	D	B	ZA	VE
166 600 806 04 89	500	8,0	-	37,5	1
167 600 806 04 89	500	8,0	-	37,5	1

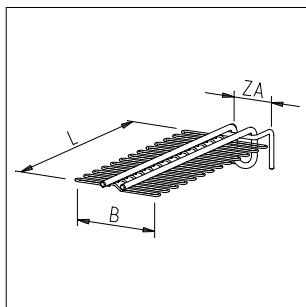
for 50 x 20 mm rear support bars

166 ... claw fitting over bar, 167 ... claw fitting into bar



Fittings for tubular rear support bars

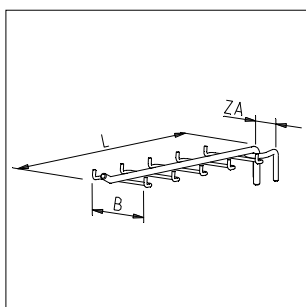
6157 Holder for 24 table tennis bats \varnothing 10,0 mm chrome plated



Ref. no.	L	D	B	ZA	VE
176 051 824 04 89	440	10,0	181	75	1

for 50 x 20 mm rear support bars

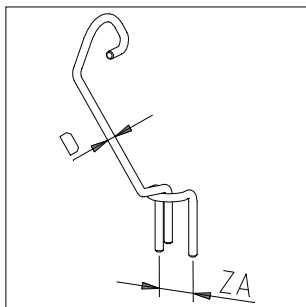
6153 Holder for 10 ski poles \varnothing 10,0 mm chrome plated



Ref. no.	L	D	B	ZA	VE
166 116 810 04 89	500	10,0	100	37,5	1

for 50 x 20 mm rear support bars
166 ... claw fitting over bar

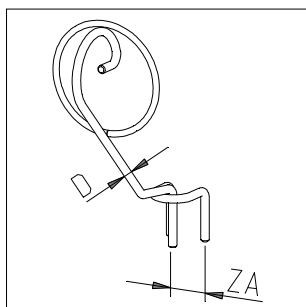
7164 Holder for boxing gloves \varnothing 8,0 mm chrome plated



Ref. no.	L	D	B	ZA	VE
167 380 000 04 05	200	8,0	-	37,5	1

for 50 x 20 mm rear support bars
167 ... claw fitting into bar

6165/7165 Holder for motorcycle helmets \varnothing 8,0 mm chrome plated



Ref. no.	L	D	B	ZA	VE
166 380 861 04 89	-	8,0	-	37,5	1
167 380 861 04 89	-	8,0	-	37,5	1

for 50 x 20 mm rear support bars
166 ... claw fitting over bar
167 ... claw fitting into bar



6149/7149 Spinner for hanging merchandise chrome plated

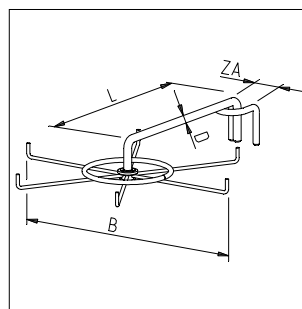


Ref. no.	L	D	B	ZA	VE
166 340 000 04 89	254	10,0	309	40	1
167 340 000 04 89	254	10,0	309	40	1

for 50 x 20 mm rear support bars

166 ... claw fitting over bar

167 ... claw fitting into bar

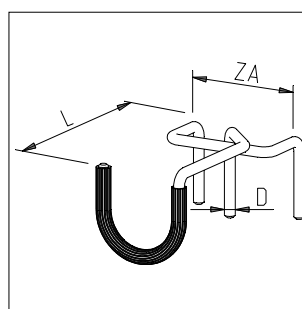


6225 Bicycle holder, rubber sleeved Ø 10,0 mm chrome plated



Ref. no.	L	D	B	ZA	VE
176 410 900 04 89	140	10,0	-	87	1

for 50 x 20 mm rear support bars

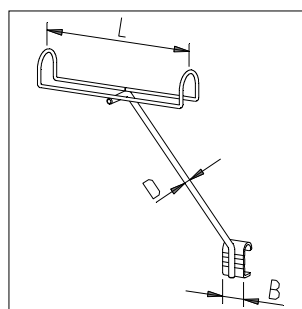


3940 Cycle tyre holder Ø 10,0 mm chrome plated



Ref. no.	L	D	B	VE
165 800 000 04 89	400	10,0	40	1

for 50 x 20 mm rear support bars



71004 B/72004 B Iron display holder Ø 10,0 mm chrome plated

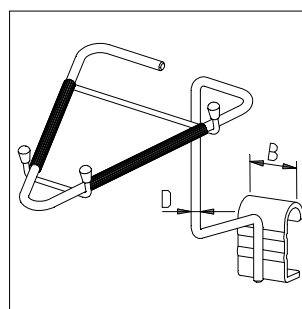


Ref. no.	L	D	B	VE
167 700 900 04 89	-	7,0	35	1
165 700 900 04 89	-	7,0	35	1

for 50 x 20 mm rear support bars

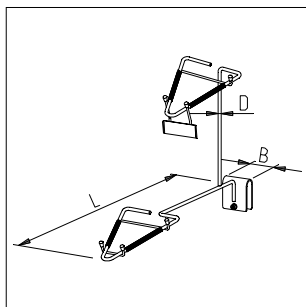
167 ... claw fitting into bar

165 ... claw fitting over bar



Fittings for tubular rear support bars

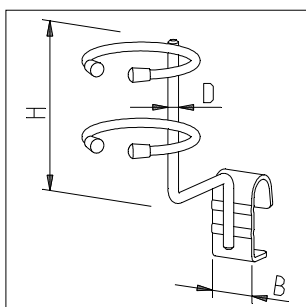
175460 Double iron display holder chrome plated



Ref. no.	B	L	D	VE
175 460 922 04 89	60	500	7,0	1

for 50 x 20 mm rear support bars

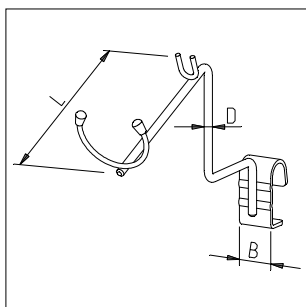
71004 F/72004 F Hair dryer display holder Ø 7,0 mm chrome plated



Ref. no.	H	D	B	VE
167 710 000 04 89	80	7,0	35	1
165 710 000 04 89	80	7,0	35	1

for 50 x 20 mm rear support bars
165 ... claw fitting over bar, 167 ... claw fitting into bar

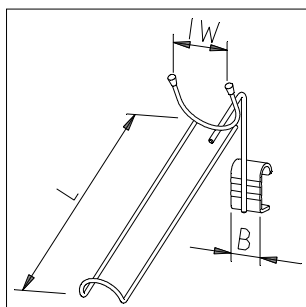
71004 L/72004 L Hair curler display holder Ø 7,0 mm chrome plated



Ref. no.	L	D	B	VE
167 720 000 04 89	100	7,0	35	1
165 720 000 04 89	100	7,0	35	1

for 50 x 20 mm rear support bars
165 ... claw fitting over bar, 167 ... claw fitting into bar

165640 Mixer wand holder chrome plated



Ref. no.	B	L	IW	VE
165 640 920 04 89	40	315	74	1

for 50 x 20 mm rear support bars



71243/76243 Bed linen display Ø 10,0 mm chrome plated



Ref. no.	H	B	ZA	VE
167 440 880 04 89	257	170	187	1
167 440 881 04 89	257	170	187	1

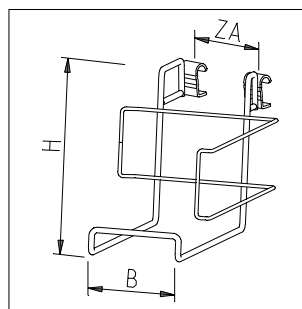
165 430 880 04 89	257	170	187	1
165 430 881 04 89	257	170	187	1

for 50 x 20 mm rear support bars

167 440 880 ... feed from left, 165 430 880 ... feed from left

167 440 881 ... feed from right, 165 430 881 ... feed from right

167 ... claw fitting into bar, 165 ... claw fitting over bar

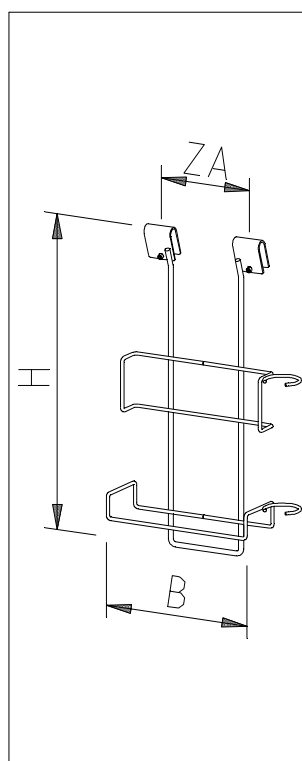


3932.1 Cylinder vacuum cleaner display chrome plated



Ref. no.	H	B	ZA	VE
175 450 862 04 89	620	402,8	64	1

for 50 x 20 mm rear support bars

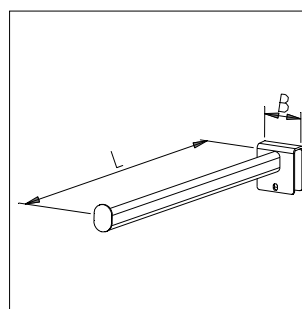


27986... Straight arm in 30 x 15 mm tube chrome plated



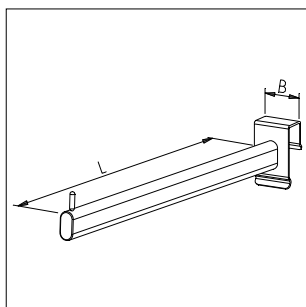
Ref. no.	B	L	H	VE
279 862 801 04 89	60	350	-	1
279 860 801 04 89	60	500	-	1
279 861 801 04 89	60	600	-	1

for 50 x 20 mm rear support bars



Fittings for tubular rear support bars

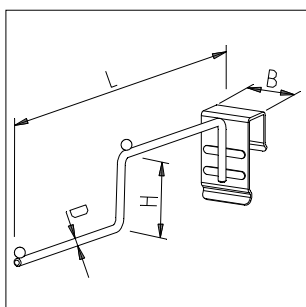
17943... Straight arm in 30 x 15 mm tube chrome plated



Ref. no.	L	B	VE
179 431 871 04 89	320	40	1
179 430 871 04 89	420	40	1

fits 50 x 20 mm rectangular rear support bars

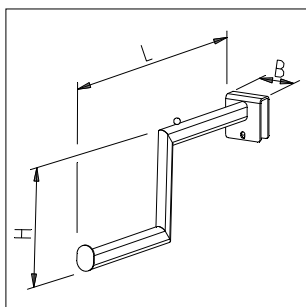
179620 Stepped arm chrome plated



Ref. no.	L	B	H	D	VE
179 620 852 04 89	310	40	60	6,0	1

fits 50 x 20 mm rectangular rear support bars

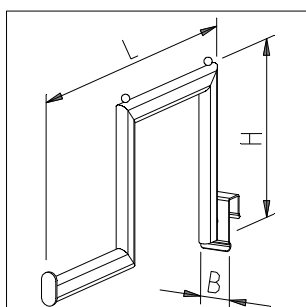
279870 Stepped arm in 30 x 15 mm tube chrome plated



Ref. no.	B	L	H	VE
279 870 803 04 89	60	480	180	1

fits 50 x 20 mm rectangular rear support bars

179460 Raised stepped arm in 30 x 15 mm tube chrome plated



Ref. no.	L	B	H	VE
179 460 872 04 89	400	40	220	1

fits 50 x 20 mm rectangular rear support bars

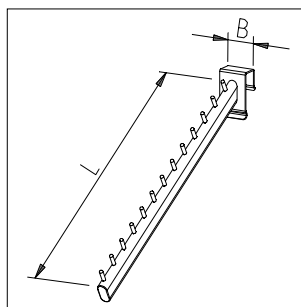


17944... Hanging arm with pins in 30 x 15 mm tube chrome plated



Ref. no.	L	B	VE
179 442 877 04 89	230	40	1
179 440 883 04 89	415	40	1

fits 50 x 20 mm rectangular rear support bars

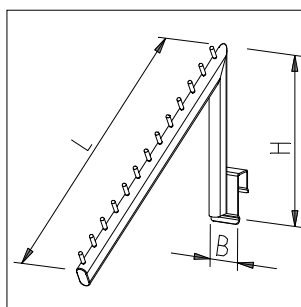


17951... Raised hanging arm with pins, 30 x 15 mm tube chrome plated



Ref. no.	L	B	H	VE
179 511 877 04 89	220	40	220	1
179 510 883 04 89	420	40	220	1

fits 50 x 20 mm rectangular rear support bars

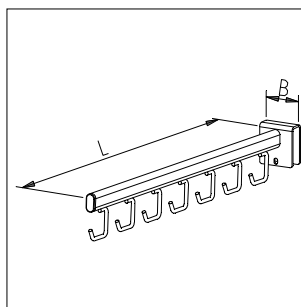


179681 Straight arm with 7 hangers in 30 x 15 mm tube chrome plated



Ref. no.	B	L	H	VE
179 681 807 04 89	60	600	-	1

fits 50 x 20 mm rectangular rear support bars

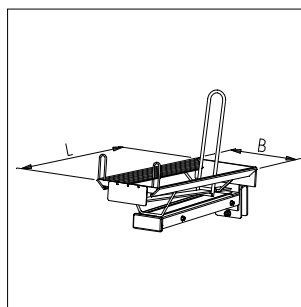


169810 Plate display, telescopic with anti-slip surface RAL 7035 light grey



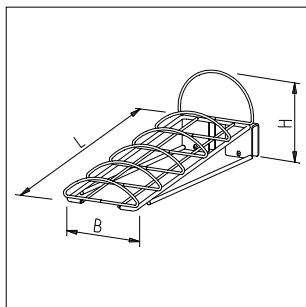
Ref. no.	B	L	VE
169 810 941 56 89	147	415 bis 615	1

fits 50 x 20 mm rectangular rear support bars



Fittings for tubular rear support bars

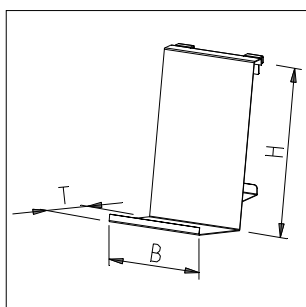
16982... Plate display RAL 7035 light grey



Ref. no.	L	B	H	VE
169 820 801 56 89	460	160	170	1
169 820 802 56 89	460	210	220	1
169 820 803 56 89	460	160	170	1
169 820 804 56 89	460	190	220	1

fits 50 x 20 mm rectangular rear support bars

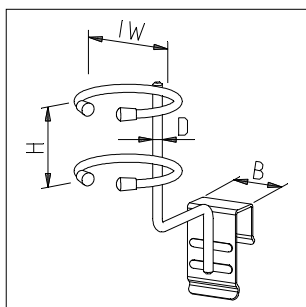
169900 Vacuum cleaner display RAL 7035 light grey



Ref. no.	T	H	B	VE
169 900 000 56 89	240	495	300	1

fits 50 x 20 mm rectangular rear support bars

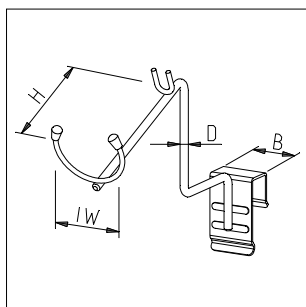
179710 Hair dryer display chrome plated



Ref. no.	IW	H	B	D	VE
179 710 000 04 89	66	58	40	7,0	1

fits 50 x 20 mm rectangular rear support bars

179720 Hair curler display chrome plated



Ref. no.	IW	H	B	D	VE
179 720 000 04 89	58	130	40	7,0	1

fits 50 x 20 mm rectangular rear support bars

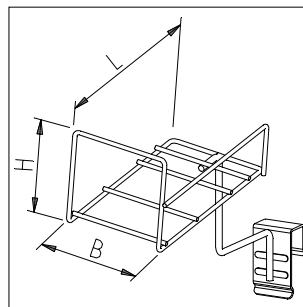


179460 Hand mixer display chrome plated



Ref. no.	L	B	H	VE
179 460 000 04 89	195	104	100	1

fits 50 x 20 mm rectangular rear support bars

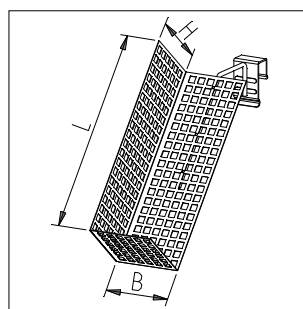


179480 Holder for cordless vacuum cleaner, chrome plated



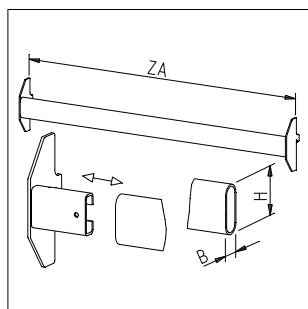
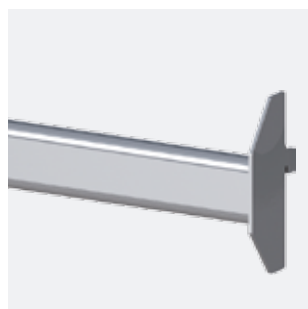
Ref. no.	L	B	H	VE
179 511 877 04 89	220	40	220	1

fits 50 x 20 mm rectangular rear support bars



Fittings for tubular rear support bars

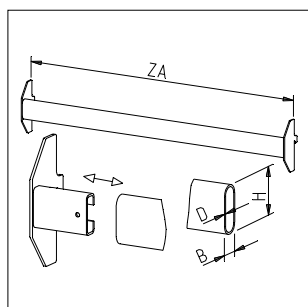
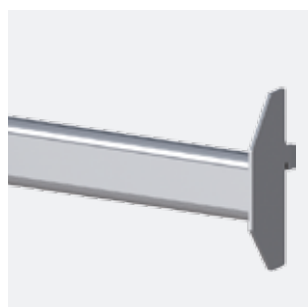
613/614/615 Rear support bar, 30 x 15 x 2 mm, flat oval tube, medium duty chrome plated



Ref. no.	H	WA	B	ZA	VE
153 202 000 04 89	30	40	15	1000	1
153 203 000 04 89	30	40	15	1250	1
153 422 000 04 89	30	160	15	1000	1
153 423 000 04 89	30	160	15	1250	1
153 432 000 04 89	30	260	15	1000	1
153 433 000 04 89	30	260	15	1250	1

Supplied with side adapters. The adapters fit most slotted upright systems. WA = Distance from panel
All the following fittings are suitable for these bars.

603 Rear support bar, 30 x 15 x 1,25 mm, flat oval tube, light duty chrome plated



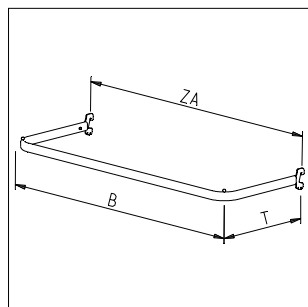
Ref. no.	H	D	B	ZA	VE
153 101 000 04 89	30	1,25	15	665	1
153 102 000 04 89	30	1,25	15	1000	1
153 103 000 04 89	30	1,25	15	1250	1

Supplied with side adapters. The adapters fit most slotted upright systems.

All the following fittings are suitable for these bars.

Other lengths and finishes to order.

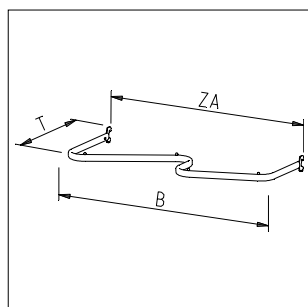
6030/6031 Garment rail, 'D' shaped 30 x 15 x 1,25 mm chrome plated



Ref. no.	B	T	ZA	VE
156 021 852 04 89	665	250	662	1
156 022 852 04 89	1000	250	997	1
156 023 852 04 89	1250	250	1247	1
156 031 852 04 89	665	350	662	1
156 032 852 04 89	1000	350	997	1
156 033 852 04 89	1250	350	1247	1

The adapters are suitable for 50 mm grid systems.

6033 Garment rail, 'Z' shaped 30 x 15 x 1,25 mm chrome plated



Ref. no.	B	T	ZA	VE
156 092 852 04 89	1000	450	997	1
156 093 852 04 89	1250	450	1247	1
156 094 852 04 89	1330	450	1327	1

The adapters are suitable for 50 mm grid systems.

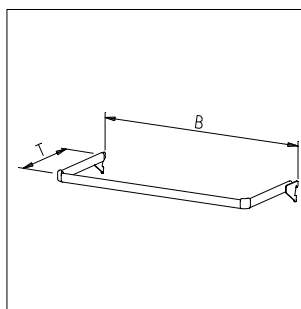


6043/.../6044/... Garment rail , 'D' shaped with cast corners, 30 x 15 x 2 mm polished chrome



Ref. no.	B	T	ZA	VE
156 821 860 04 89	665	250	-	1
156 822 860 04 89	1000	250	-	1
156 823 860 04 89	1250	250	-	1
156 831 860 04 89	665	350	-	1
156 832 860 04 89	1000	350	-	1
156 833 860 04 89	1250	350	-	1

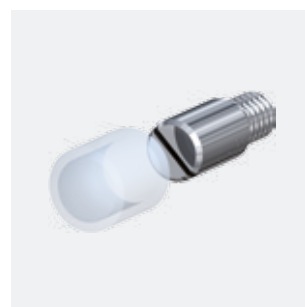
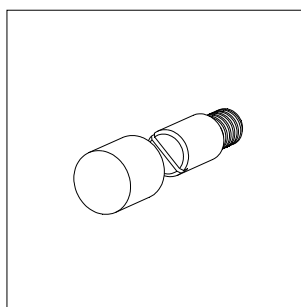
geschliffen, poliert, hochglanzverchromt



6051 Glass shelf supports for garment rails, screw fitting, M5 stainless steel with transparent sleeve



Ref. no.	VE
055 650 000 00 89	1

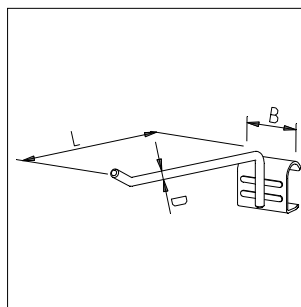


611 Single prong hook Ø 6,0 mm chrome plated



Ref. no.	L	D	B	VE
163 163 000 04 89	200	6,0	38	1
163 166 000 04 89	300	6,0	38	1
163 167 000 04 89	400	6,0	38	1

fits 30 x 15 mm flat oval tube

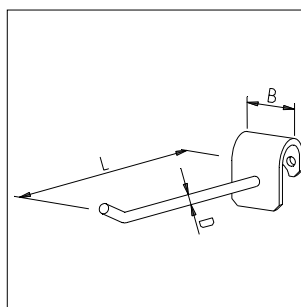


6034.5 Single prong hook Ø 4,8 mm chrome plated



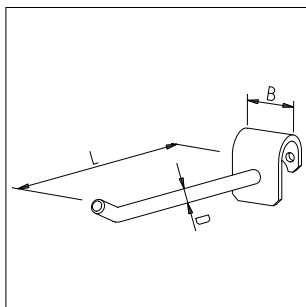
Ref. no.	L	D	B	VE
173 152 000 04 89	150	4,8	25	1
173 154 000 04 89	250	4,8	25	1

fits 30 x 15 mm flat oval tube



Fittings for tubular rear support bars

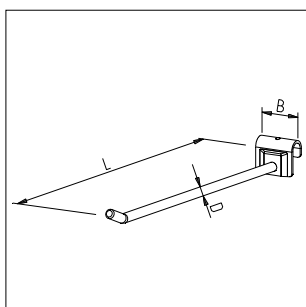
6035.7 Single prong hook Ø 7,0 mm chrome plated



Ref. no.	L	D	B	VE
173 172 000 04 89	150	7,0	25	1
173 174 000 04 89	250	7,0	25	1

fits 30 x 15 mm flat oval tube

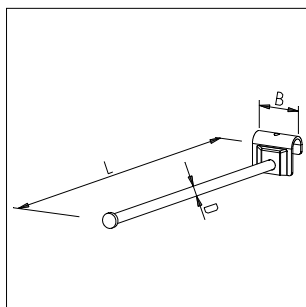
6036.0 Single prong hook Ø 10,0 mm chrome plated



Ref. no.	L	D	B	VE
173 111 000 04 89	300	10,0	44	1
173 112 000 04 89	400	10,0	44	1

fits 30 x 15 mm flat oval tube

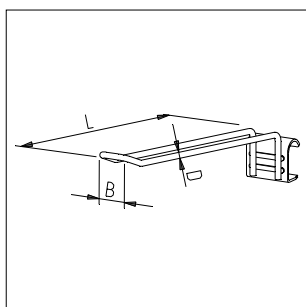
6037.2 Single prong hook Ø 12,0 mm chrome plated



Ref. no.	L	D	B	VE
173 120 000 04 89	400	12,0	44	1

fits 30 x 15 mm flat oval tube

612 Looped hook Ø 4,8 mm chrome plated



Ref. no.	L	D	B	VE
163 251 000 04 89	200	4,8	28	1
163 253 000 04 89	300	4,8	28	1
163 254 000 04 89	400	4,8	28	1

fits 30 x 15 mm flat oval tube

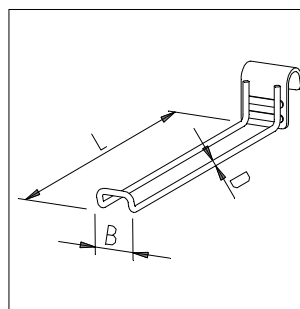


70615... Looped gravity feed hook chrome plated



Ref. no.	B	L	D	VE
173 781 890 04 89	28	200	4,0	1
173 782 890 04 89	28	300	4,0	1
173 783 890 04 89	28	400	4,0	1

fits 30 x 15 mm flat oval tube

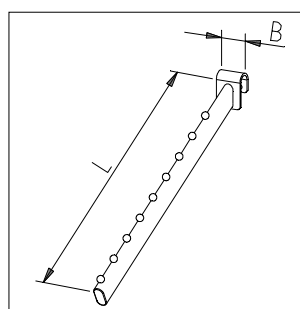


6038.9 Hanging arm with balls 30 x 15 x 1,25 mm chrome plated



Ref. no.	L	D	B	VE
173 541 919 04 89	400	-	36	1

fits 30 x 15 mm flat oval tube

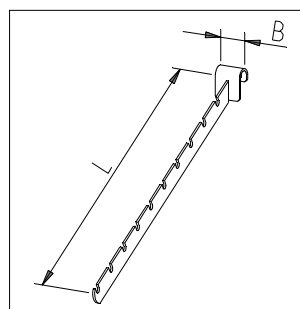


6039.0 Notched arm chrome plated



Ref. no.	L	D	B	VE
173 050 000 04 89	400	-	36	1

fits 30 x 15 mm flat oval tube

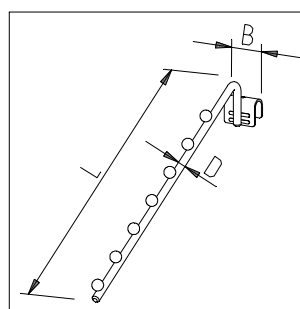


76020 Hangng arm with balls for 30 x 15 mm flat oval tube chrome plated



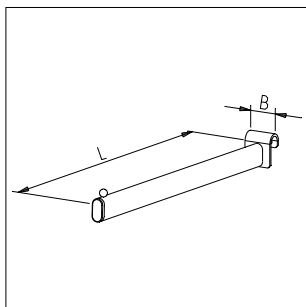
Ref. no.	L	D	B	VE
173 500 857 04 89	400	10,0	44	1

fits 30 x 15 mm flat oval tube



Fittings for tubular rear support bars

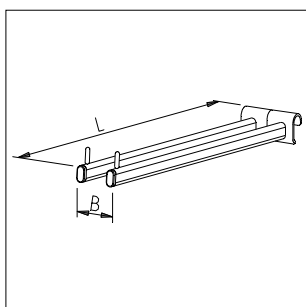
6038.1 Straight arm with ball end, 30 x 15 x 1,25 mm chrome plated



Ref. no.	L	D	B	VE
173 551 911 04 89	400	-	36	1

fits 30 x 15 mm flat oval tube

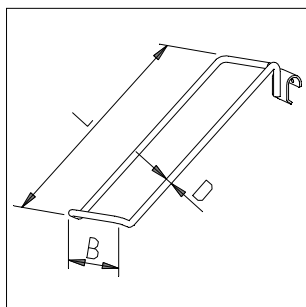
273720 Twin open straight arm chrome plated



Ref. no.	B	L	VE
273 720 872 04 89	48	400	1

fits 30 x 15 mm flat oval tube

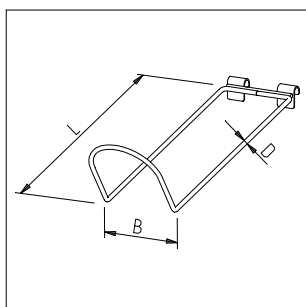
273820 Holder for skates chrome plated



Ref. no.	B	L	D	VE
273 820 000 04 89	80	374	8,0	1

fits 30 x 15 mm flat oval tube

273880 Ball holder chrome plated



Ref. no.	B	L	D	VE
273 880 000 04 89	145	540	8,0	1

fits 30 x 15 mm flat oval tube

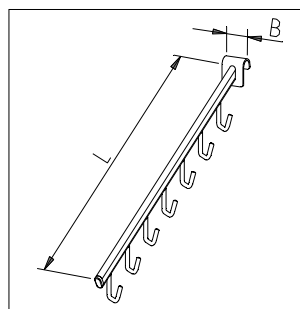


273770 Holder for 7 tennis racquets chrome plated



Ref. no.	B	L	VE
273 770 807 04 89	35	450	1

fits 30 x 15 mm flat oval tube

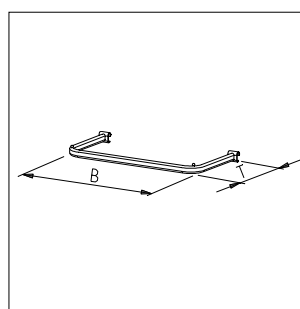


163710 Garment rail, 30 x 15 mm tube to fit 30 x 15 mm rear support bar chrome plated



Ref. no.	B	T	VE
163 710 852 04 89	600	300	1

fits 30 x 15 mm

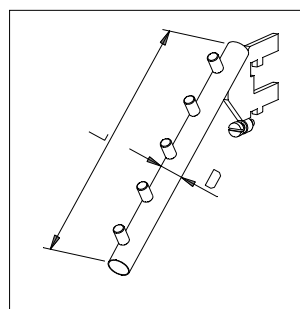


157820 Hanging arm with balls, Ø 16 mm round tube to fit slotted uprights chrome plated



Ref. no.	L	D	VE
157 820 850 04 89	200	16,0	1

fits 35 mm pitch slots

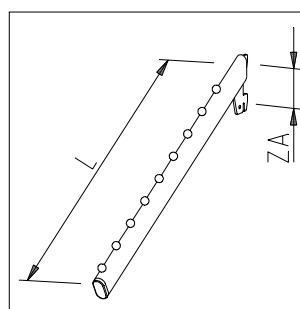


6032.9 Hanging arm with balls, 30 x 15 x 1,25 mm, to fit slotted uprights chrome plated

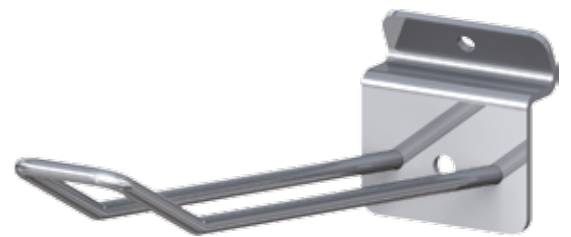


Ref. no.	L	D	ZA	VE
153 550 919 04 89	400	-	50	1

fits 50 mm pitch slots

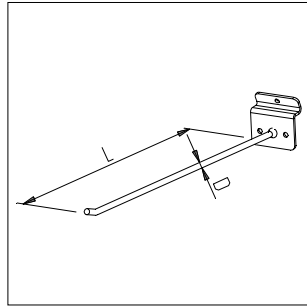


Fittings for slatwall panels



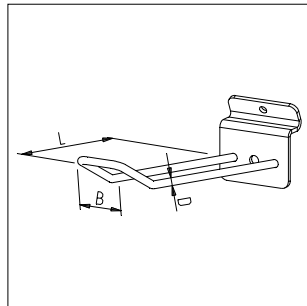
Fittings for slatwall panels

211 Single prong slatwall hook Ø 4,8 mm bright zinc



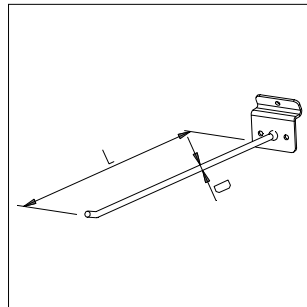
Ref. no.	L	D	B	VE
144 153 000 01 20	120	4,8	-	100
144 155 000 01 20	200	4,8	-	100
144 156 000 01 20	250	4,8	-	100

212 Looped slatwall hook Ø 4,0 mm bright zinc



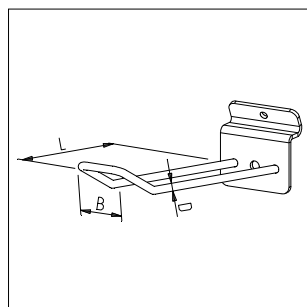
Ref. no.	L	D	B	VE
144 243 000 01 20	120	4,0	28	100
144 247 000 01 20	200	4,0	28	100
144 248 000 01 20	250	4,0	28	100

CR 211 Single prong slatwall hook Ø 4,8 mm chrome plated



Ref. no.	L	D	B	VE
144 153 000 04 14	120	4,8	-	25
144 155 000 04 14	200	4,8	-	25
144 156 000 04 14	250	4,8	-	25

CR 212 Looped slatwall hook Ø 4,0 mm chrome plated



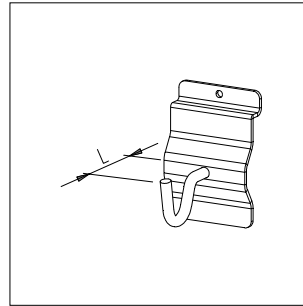
Ref. no.	L	D	B	VE
144 243 000 04 14	120	4,0	28	25
144 247 000 04 14	200	4,0	28	25
144 248 000 04 14	250	4,0	28	25



277 Short hook for slatwall panels Ø 6,0 mm chrome plated



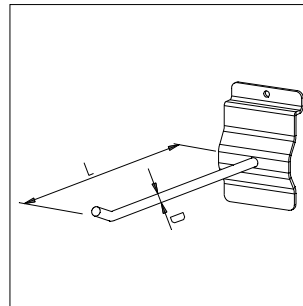
Ref. no.	L	D	B	VE
147 640 000 04 89	50	6,0	-	1



285 Heavy duty single hook for slatwall panels chrome plated



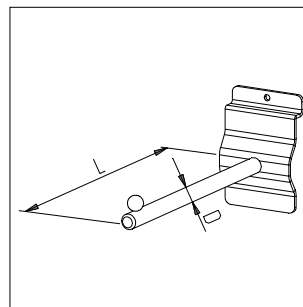
Ref. no.	L	D	B	VE
147 810 000 04 89	60	8,0	-	1
148 115 000 04 89	350	10,0	-	1



286.1 Glass shelf support for slatwall panels Ø 10,0 mm chrome plated



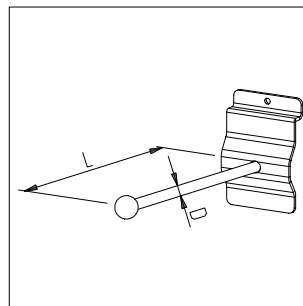
Ref. no.	L	D	B	VE
148 100 851 04 89	160	10,0	-	1
148 102 851 04 89	270	10,0	-	1
148 104 851 04 89	320	10,0	-	1



195 Single prong hook with swaged ball end for slatwall panels Ø 8,0 mm chrome plated

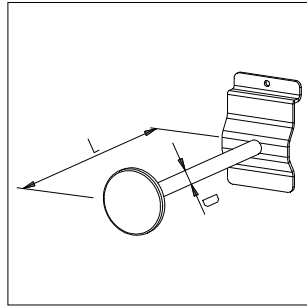


Ref. no.	L	D	B	VE
147 700 851 04 89	160	8,0	-	1



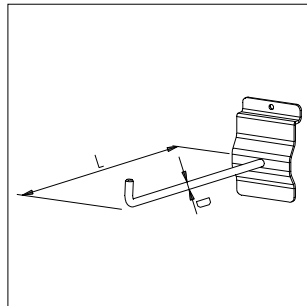
Fittings for slatwall panels

296 Single prong hook with price plate for slatwall panels Ø 10,0 mm chrome plated



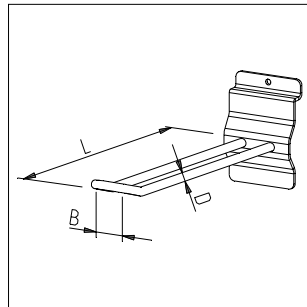
Ref. no.	L	D	B	VE
148 103 196 04 89	300	10,0	-	1

201 Single prong hook with upturned end for slatwall panels Ø 6,0 mm chrome plated



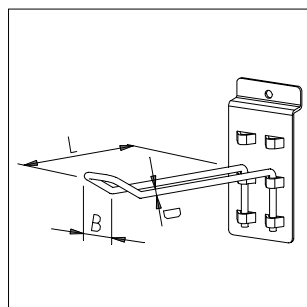
Ref. no.	L	D	B	VE
147 690 000 04 89	100	6,0	-	1

193 Heavy duty looped hook for slatwall panels Ø 6,0 mm chrome plated



Ref. no.	L	D	B	VE
148 612 000 04 89	200	6,0	28	1 50

194 Adjustable looped hook for slatwall panels Ø 4,0 mm chrome plated



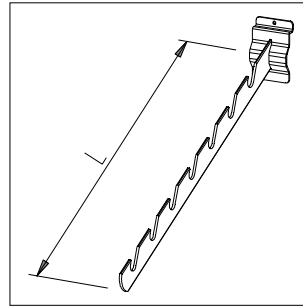
Ref. no.	L	D	B	VE
143 242 000 04 89	300	-	110	45 50



292.7 Notched arm for slatwall panels Ø 4,0 mm chrome plated



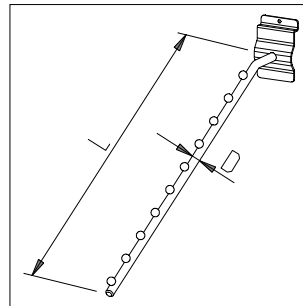
Ref. no.	L	D	B	VE
148 400 000 04 89	200	4,0	28	1



283 Hanging arm with 10 balls for slatwall Ø 10,0 mm chrome plated



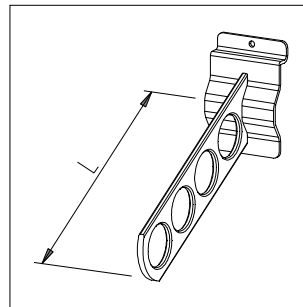
Ref. no.	L	D	B	VE
148 151 860 04 89	400	10,0	-	1



293.4 Short garment arm for slatwall panels chrome plated



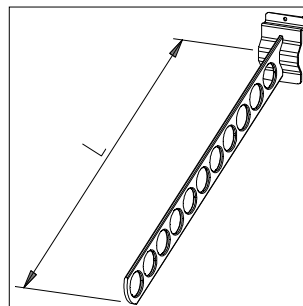
Ref. no.	L	D	B	VE
148 450 804 04 89	160	-	-	1



293.0 Long garment arm for slatwall panels chrome plated

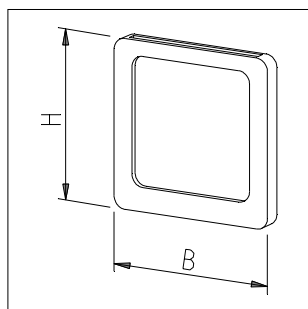


Ref. no.	L	D	B	VE
148 454 811 04 89	400	-	-	1



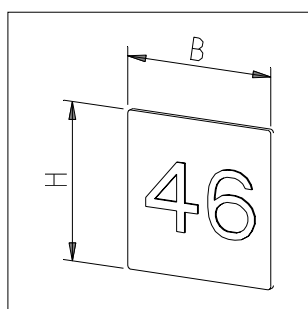
Fittings for slatwall panels

78005 Supplementary price/size plate black plastic



Ref. no.	B	H	VE
036 000 000 87 89	56	56	1

78010 Numbers for inserting into supplementary price plate white plastic with black numbers

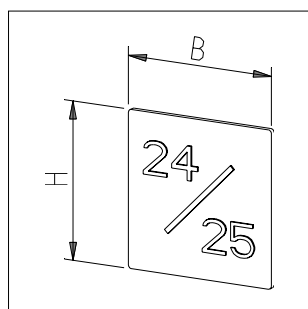
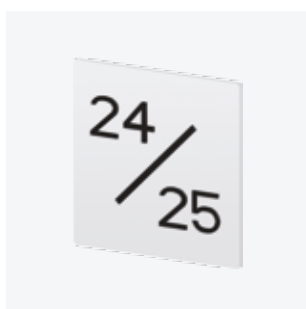


Ref. no.	Nr.	Ref. no.	Nr.
036 410 823 90 89	23	036 410 847 90 89	47
036 410 824 90 89	24	036 410 848 90 89	48
036 410 825 90 89	25	036 410 849 90 89	49
036 410 826 90 89	26	036 410 850 90 89	50
036 410 827 90 89	27	036 410 851 90 89	51
036 410 828 90 89	28	036 410 852 90 89	52
036 410 829 90 89	29	036 410 853 90 89	53
036 410 830 90 89	30	036 410 854 90 89	54
036 410 831 90 89	31	036 410 928 90 89	128
036 410 832 90 89	32	036 410 940 90 89	140
036 410 833 90 89	33	036 410 952 90 89	152
036 410 834 90 89	34	036 410 964 90 89	164
036 410 835 90 89	35	036 410 976 90 89	176
036 410 836 90 89	36		
036 410 837 90 89	37		
036 410 838 90 89	38		
036 410 839 90 89	39		
036 410 840 90 89	40		
036 410 841 90 89	41		
036 410 842 90 89	42		
036 410 843 90 89	43		
036 410 844 90 89	44		
036 410 845 90 89	45		
036 410 846 90 89	46		

Ein Bogen enthält 24 gleiche Einzelnummern. VPE = 1B = 45 mm

Maße H = 45 mm, B = 45 mm

78012 Numbers for inserting into supplementary price plate (two numbers) white plastic with black numbers



Ref. no.	Nr.	H	B
036 420 037 90 89	37/38	45	45
036 420 039 90 89	39/40	45	45
036 420 041 90 89	41/42	45	45
036 420 043 90 89	43/44	45	45
036 420 045 90 89	45/46	45	45
036 420 046 90 89	46/47	45	45
036 420 048 90 89	48/50	45	45
036 420 056 90 89	56/58	45	45
036 420 058 90 89	58/60	45	45

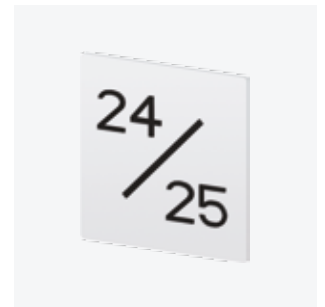
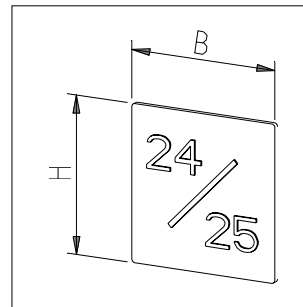


78012 Numbers for inserting into supplementary price plate (two numbers) white plastic with black numbers



Ref. no.	Nr.	H	B
036 420 062 90 89	62/68	45	45
036 420 074 90 89	74/80	45	45
036 420 086 90 89	86/92	45	45
036 420 098 90 89	98/104	45	45
036 420 104 90 89	104/110	45	45

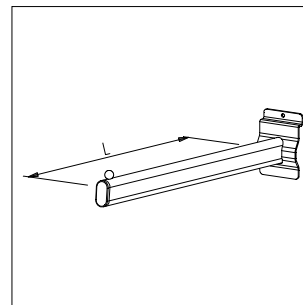
Ein Bogen enthält 24 gleiche Einzelnummern. VPE = 1



291.1 Straight arm with ball end for slatwall panels chrome plated



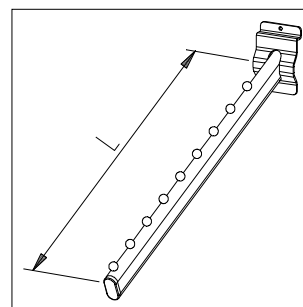
Ref. no.	L	D	B	VE
148 500 911 04 89	400	-	-	1



287.9 Hanging arm with 9 balls for slatwall panels chrome plated



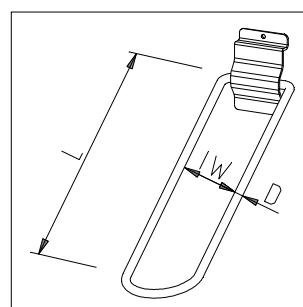
Ref. no.	L	D	B	VE
148 550 919 04 89	400	-	-	1



73728 Holder for inline skates for slatwall Ø 8,0 mm chrome plated

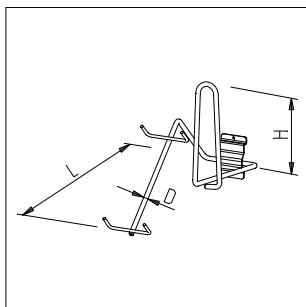


Ref. no.	L	D	IW	VE
141 090 000 04 89	400	8,0	60	1



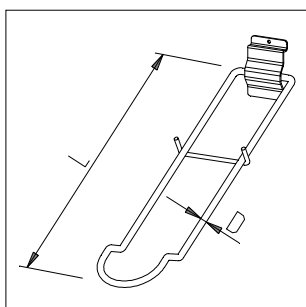
Fittings for slatwall panels

294 Shoe display holder (upper and sole), Ø 8,0 mm for slatwall panels chrome plated



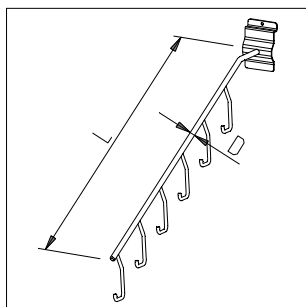
Ref. no.	L	D	H	VE
147 490 000 04 89	400	8,0	210	1

284 Ski boot display holder for slatwall panels chrome plated



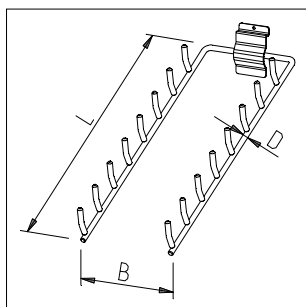
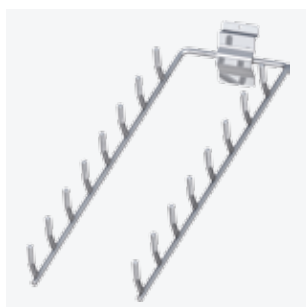
Ref. no.	L	D	H	VE
147 400 861 04 89	400	8,0	-	1

278.6 Hanging arm for racquets and bags Ø 8,0 mm chrome plated



Ref. no.	L	D	B	VE
147 853 806 04 89	500	8,0	-	1

282 Holder for graphite shaft tennis racquets, for slatwall panels Ø 8, 0 mm chrome plated



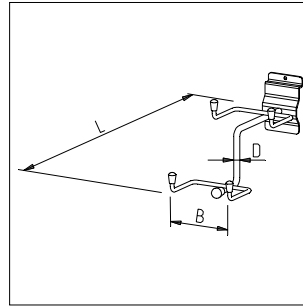
Ref. no.	L	D	B	VE
147 420 808 04 89	420	8,0	155	1



280 Belt holder for slatted panels Ø 8,0 mm chrome plated



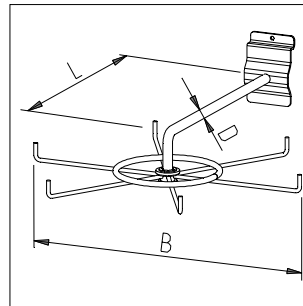
Ref. no.	L	D	B	VE
147 820 862 04 89	280	8,0	90	1



1149 Spinner for slatwall panels chrome plated



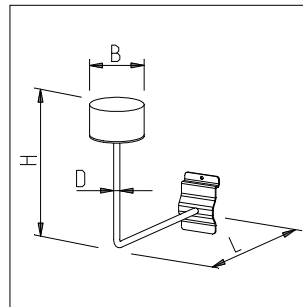
Ref. no.	L	D	B	VE
148 000 000 04 89	380	10,0	309	1



281 Hat and helmet holder for slatted panels Ø 8,0 mm chrome plated



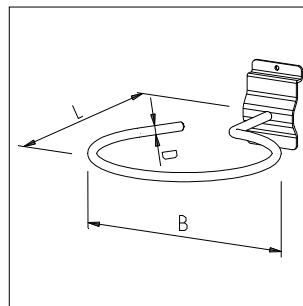
Ref. no.	L	D	B	H	VE
147 910 915 04 89	200	8,0	70	192	1



199 Ball holder for slatted panels Ø 8,0 mm chrome plated



Ref. no.	L	D	IW	VE
147 920 000 04 89	230	8,0	154	1

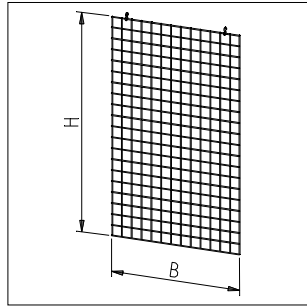
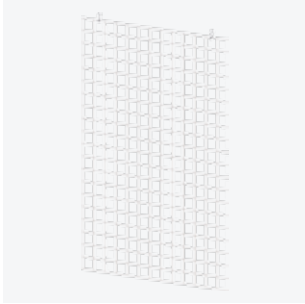


Hooks and fittings for mesh panels



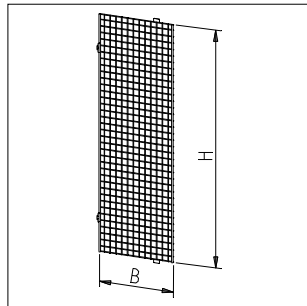
Hooks and fittings for mesh panels

198100 Mesh panel with 2 ,S' hooks Mesh RAL 9001 cream white / hooks bright zinc



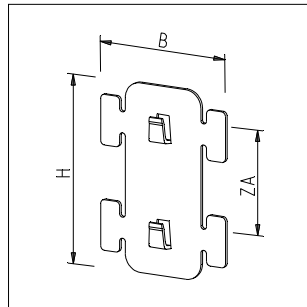
Artikelnummer	B	T	H	VE
198 100 801 60 89	650	-	1000	1

198580 Mesh panel ,Side kick' RAL 9010 pure white



Artikelnummer	B	T	H	VE
198 580 000 67 01	510	-	1470	1

157140 Insert adapters to fit into slotted uprights for mesh panels bright zinc



Artikelnummer	B	H	ZA	VE	VE
157 140 000 06 89	66	90	50	1	50

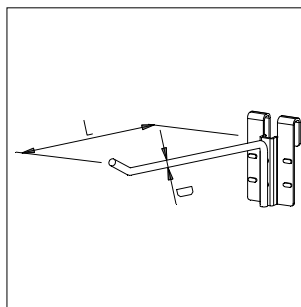


215 Single prong hook for mesh Ø 4,8 mm bright zinc



Artikelnummer	L	D	B	VE
131 151 000 01 20	120	4,8	-	100
131 152 000 01 20	200	4,8	-	100
131 153 000 01 20	250	4,8	-	100

for 50 mm mesh grid

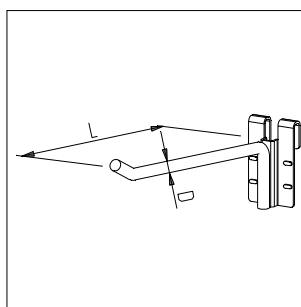


215.8 Single prong hook for mesh grid 100 mm Ø 8,0 mm chrome plated



Artikelnummer	L	IW	ZA	VE
131 182 000 04 89	200	8,0	-	1
131 184 000 04 89	300	8,0	-	1
131 185 000 04 89	400	8,0	-	1

for 50 mm mesh grid

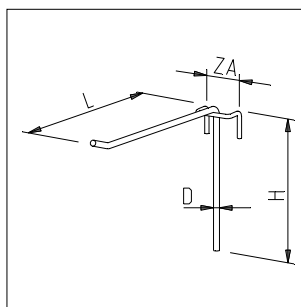


73543.6/73543.8 Universal single prong mesh hook Ø 4,8 mm / Ø 6,0 mm bright zinc



Artikelnummer	L	D	H	ZA	VE
137 650 000 01 20	100	4,8	120	30	100
137 651 000 01 20	200	4,8	120	30	100
137 653 000 01 20	300	4,8	120	30	100
137 850 000 01 20	100	4,8	120	30	100
137 851 000 01 20	200	4,8	120	30	100
137 853 000 01 14	300	4,8	120	30	25

for 100 mm mesh grid, 137 65... for mesh wire dia 6 mm, 137 85... for mesh wire dia 8 mm

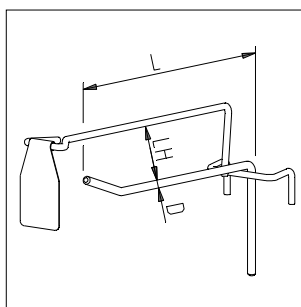


13748... Single prong hook with overarm and price flap bright zinc



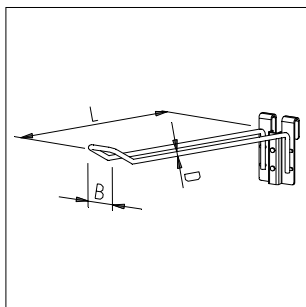
Artikelnummer	D	LH	ZA	VE
137 480 333 01 20	100	4,8	34	45 1
137 481 333 01 20	200	4,8	34	45 1

for 50 mm mesh grid, Price flap = 27 x 30 mm, Other sizes on request



Hooks and fittings for mesh panels

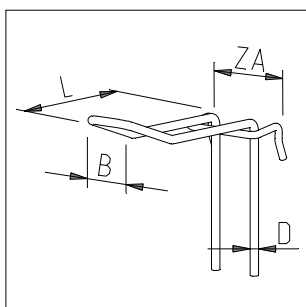
216 Looped hook for mesh panels type 1 Ø 4,0 mm bright zinc



Artikelnummer	L	D	B	VE
131 241 000 01 20	120	4,0	28	100
131 242 000 01 20	200	4,0	28	100
131 243 000 01 20	250	4,0	28	100

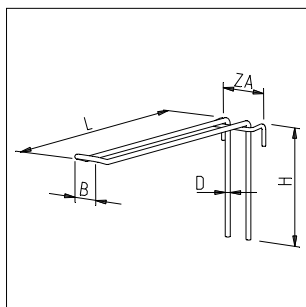
for 50 mm mesh grid

138020 Looped hook with reversed snap fitting bridge bright zinc



Artikelnummer	L	D	B	ZA	VE
138 020 000 01 20	120	4,0	28	36,5	100
138 050 000 01 20	200	4,8	28	36,5	100
138 042 000 01 20	300	4,0	28	36,5	100

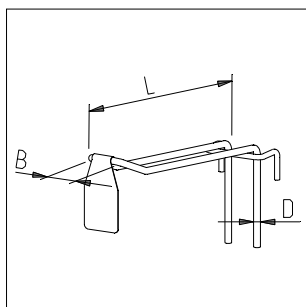
73546.6/73546.8 Universal looped mesh hook Ø 4,8 mm bright zinc



Artikelnummer	L	D	H	ZA	VE
138 650 000 01 20	100	4,8	120	45	100
138 651 000 01 20	200	4,8	120	45	100
138 653 000 01 20	300	4,8	120	45	100
138 654 000 01 20	400	6,0	120	45	100
138 850 000 01 20	100	4,8	120	45	100
138 851 000 01 20	200	4,8	120	45	100
138 853 000 01 14	300	4,8	120	45	25
138 854 000 01 20	400	6,0	120	45	100

for 100 mm mesh grid, 138 65... for mesh wire dia 6 mm, 138 85... for mesh wire dia 8 mm

13848... Looped hook with price flap bright zinc



Artikelnummer	L	D	B	ZA	VE
138 480 133 01 20	100	4,8	28	45	1
138 482 133 01 20	150	4,8	28	45	1
138 481 133 01 20	200	4,8	28	45	1
138 483 133 01 20	300	4,8	28	45	1

for 50 mm mesh grid, Price flap = 27 x 30 mm, Other sizes on request

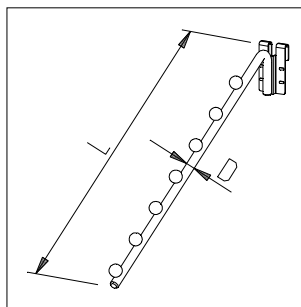


217.7 Hanging arm with balls for mesh panels type 1 Ø 10,0 mm chrome plated



Artikelnummer	L	D	B	VE
131 510 857 04 89	400	10,0	-	1

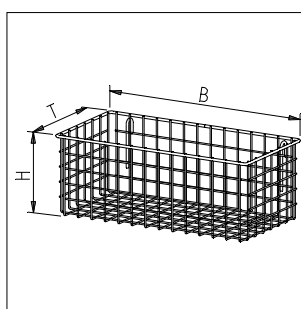
for 50 mm mesh grid



19102... Mesh basket RAL 9001 cream white



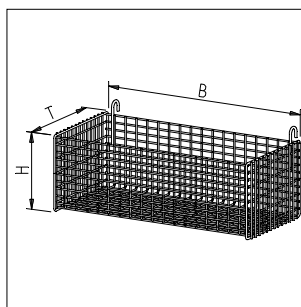
Artikelnummer	B	T	H	VE
191 020 000 60 89	400	200	150	1
191 021 000 60 89	600	200	150	1



1910... Mesh baskets for use in mesh side panels RAL 9001 cream white



Artikelnummer	L	IW	ZA	VE
191 060 000 60 89	200	200	158	1
191 070 000 60 89	450	200	158	1



195920 Sheet dump basket RAL 9001 cream white



Artikelnummer	L	D	ZA	VE
195 920 000 60 89	220	205	68	1

for 50 mm mesh grid

