

# SHOPPING TROLLEYS

NAKUPOVALNI VOZIČKI | KOLICA ZA KUPNJU

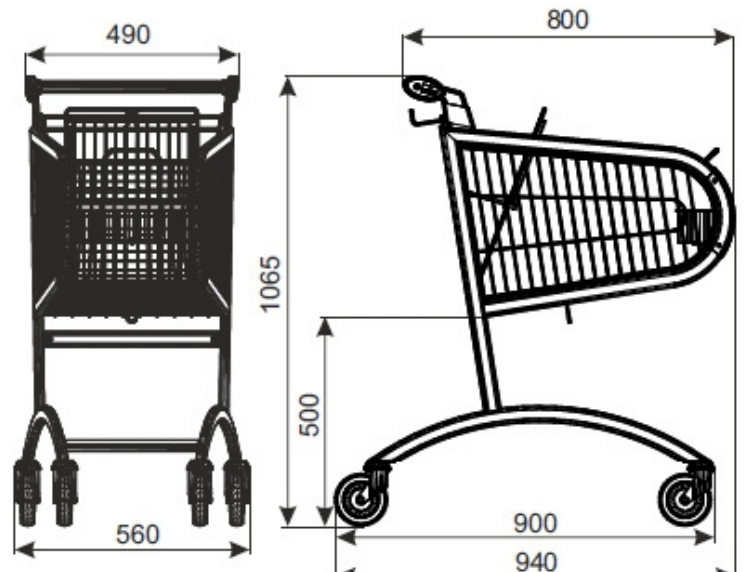


## SHOPPING TROLLEY AVANT P75



<b>TYPE</b>	Avant P75
<b>BASKET CAPACITY</b>	75 l
<b>LOADING</b>	75 kg
<b>WHEEL DIAMETER</b>	125 mm
<b>FINISH</b>	wire mesh: zinc plated + lacquer, frame: zinc plated + powder coating
<b>NESTING DISTANCE</b>	225 mm

In the standard version shopping trolley has standard wheels. Optional accessories (inter alia wheels for travelator or with brake, coin lock, the logo and other accessories) require separate arrangements.

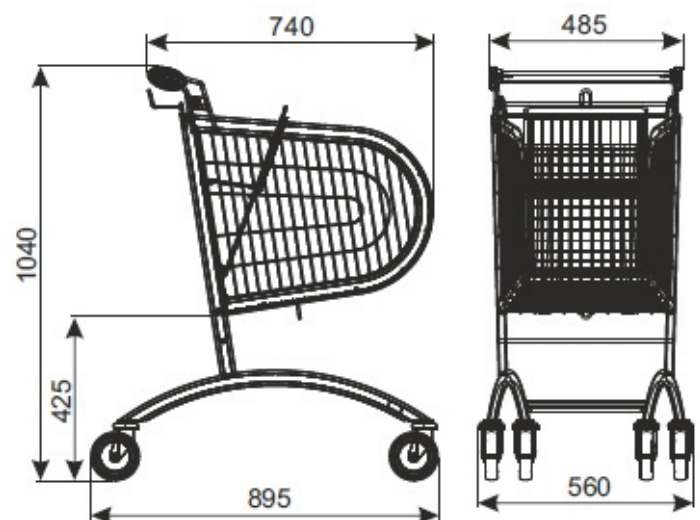


## SHOPPING TROLLEY AVANT P90



<b>TYPE</b>	Avant P90
<b>BASKET CAPACITY</b>	89 l
<b>LOADING</b>	89 kg
<b>WHEEL DIAMETER</b>	125 mm
<b>FINISH</b>	wire mesh: zinc plated + lacquer, frame: zinc plated + powder coating
<b>NESTING DISTANCE</b>	220 mm

In the standard version shopping trolley has standard wheels. Optional accessories (inter alia wheels for travelator or with brake, coin lock, the logo and other accessories) require separate arrangements.



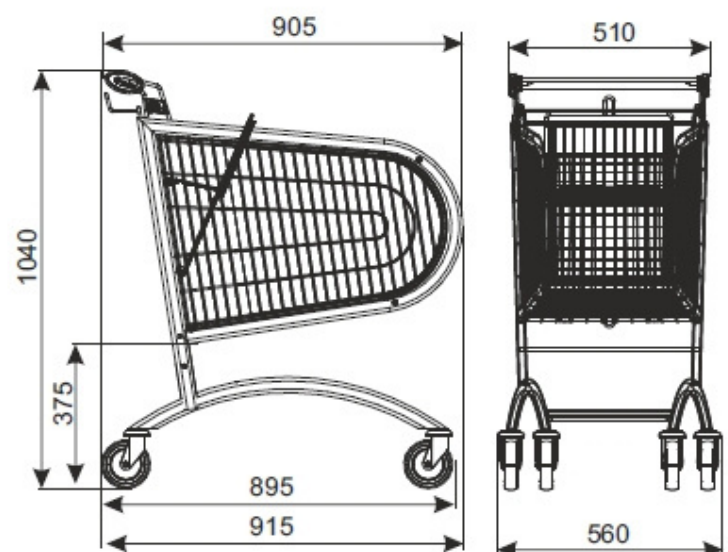
## SHOPPING TROLLEY AVANT P140



<b>TYPE</b>	Avant P140
<b>BASKET CAPACITY</b>	134 l
<b>LOADING</b>	134 kg
<b>WHEEL DIAMETER</b>	125 mm
<b>FINISH</b>	wire mesh: zinc plated + lacquer, frame: zinc plated + powder coating
<b>NESTING DISTANCE</b>	220 mm

In the standard version shopping trolley has standard wheels. Optional accessories (inter alia wheels for travelator or with brake, coin lock, the logo and other accessories) require separate arrangements.

Note: If you use wheels for passenger conveyors, maximum loading of the trolley is 130 kg.

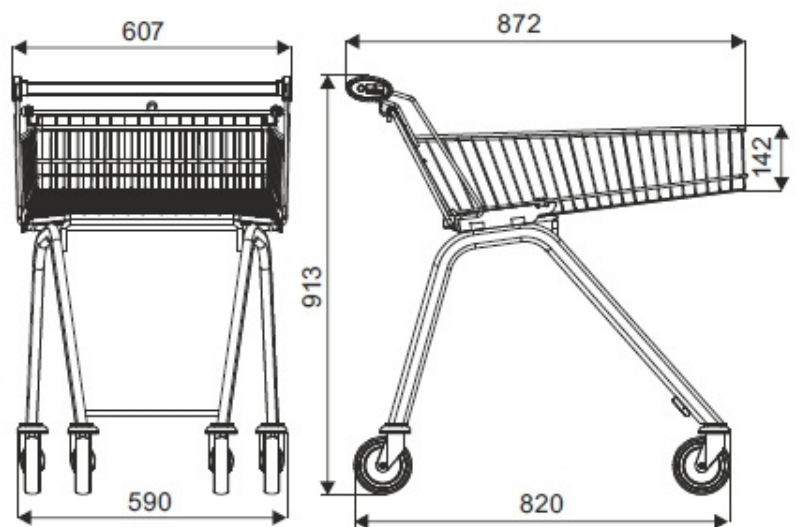


## SHOPPING TROLLEY AVANT 65



<b>TYPE</b>	Avant 65
<b>BASKET CAPACITY</b>	65 l
<b>LOADING</b>	65 kg
<b>WHEEL DIAMETER</b>	125 mm
<b>FINISH</b>	zinc plated + thermal setting lacquer
<b>NESTING DISTANCE</b>	245 mm

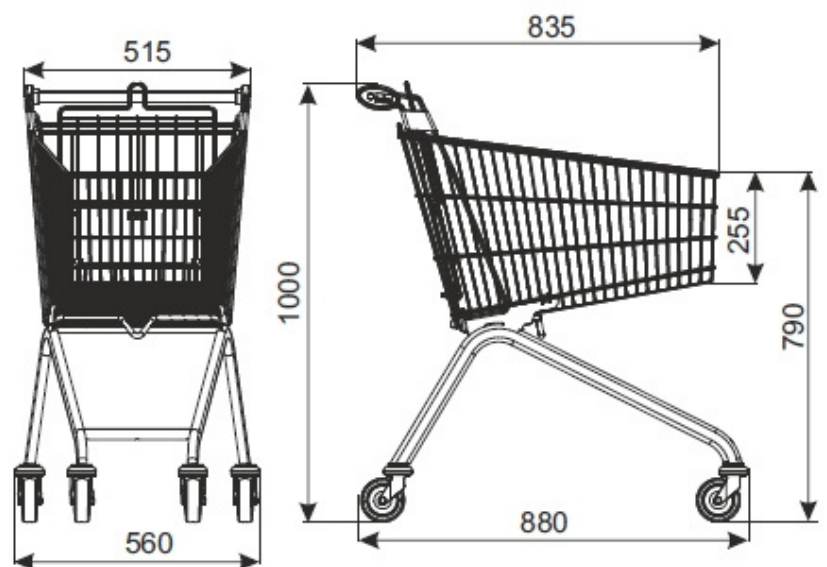
In the standard version shopping trolley has standard wheels. Optional accessories (inter alia wheels for passenger conveyors or with brake, coin lock, the logo and other accessories) require separate arrangements.



## SHOPPING TROLLEY AVANT 75RS/ 75R



TYPE	Avant 75RS/ 75R
BASKET CAPACITY	75 l
LOADING	75 kg
WHEEL DIAMETER	100 mm
FINISH	zinc plated + thermal setting lacquer
NESTING DISTANCE	200 mm



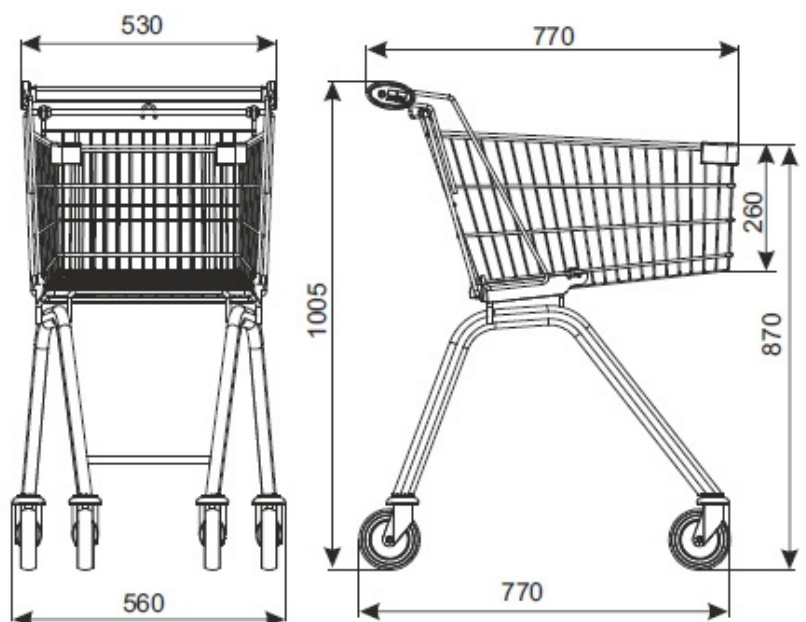
WIn the standard version shopping trolley has standard wheels. Optional accessories (inter alia wheels with brake, coin lock, the logo and other accessories) require separate arrangements.

## SHOPPING TROLLEY AVANT 80



<b>TYPE</b>	Avant 80
<b>BASKET CAPACITY</b>	80 l
<b>LOADING</b>	80 kg
<b>WHEEL DIAMETER</b>	125 mm
<b>FINISH</b>	zinc plated + thermal setting lacquer/ optionally galvanic zinc + powder coating RAL 7016
<b>NESTING DISTANCE</b>	190 mm

In the standard version shopping trolley has standard wheels. Optional accessories (inter alia wheels for travelator or with brake, coin lock, the logo and other accessories) require separate arrangements.

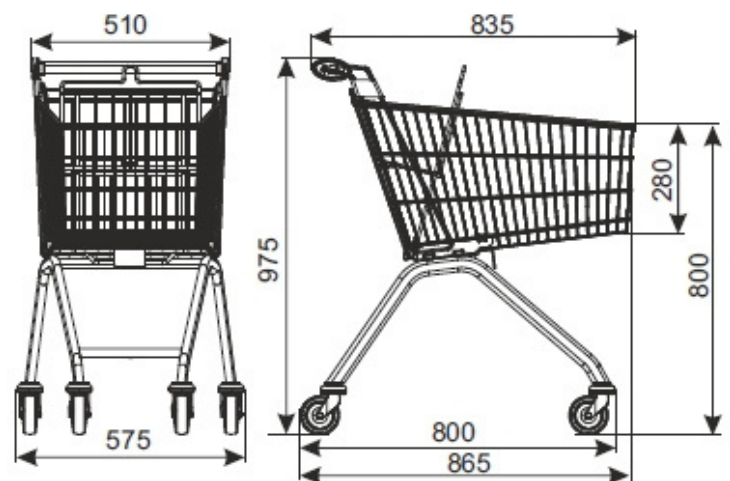


## SHOPPING TROLLEY AVANT 90



<b>TYPE</b>	Avant 90
<b>BASKET CAPACITY</b>	85 l
<b>LOADING</b>	85 kg
<b>WHEEL DIAMETER</b>	100 mm (optionally 125 mm)
<b>FINISH</b>	zinc plated + thermal setting lacquer
<b>NESTING DISTANCE</b>	180 mm

In the standard version shopping trolley has standard wheels. Optional accessories (inter alia wheels for passenger conveyors or with brake, coin lock, the logo and other accessories) require separate arrangements.





## SHOPPING TROLLEY AVANT 90W



<b>TYPE</b>	Avant 90W
<b>BASKET CAPACITY</b>	85 l
<b>LOADING</b>	85 kg
<b>WHEEL DIAMETER</b>	125 mm
<b>FINISH</b>	zinc plated + thermal setting lacquer
<b>NESTING DISTANCE</b>	180 mm



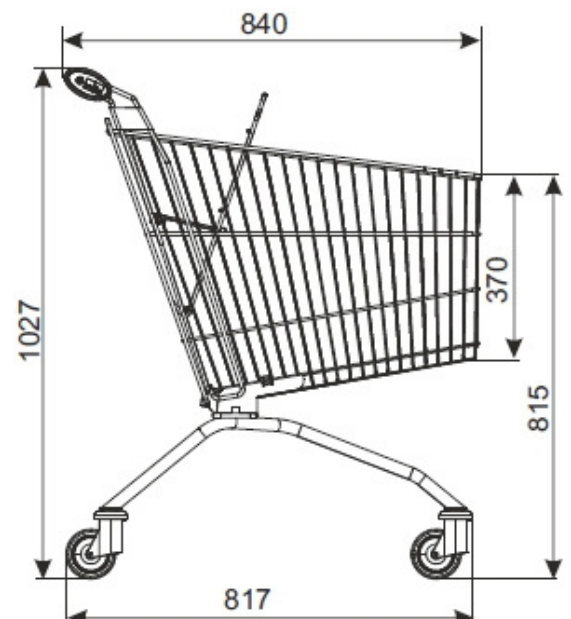
In the standard version shopping trolley has standard wheels. Optional accessories (inter alia wheels for passenger conveyors or with brake, coin lock, the logo and other accessories) require separate arrangements.

## SHOPPING TROLLEY AVANT 100



<b>TYPE</b>	Avant 100
<b>BASKET CAPACITY</b>	99 l
<b>LOADING</b>	99 kg
<b>WHEEL DIAMETER</b>	100 mm
<b>FINISH</b>	zinc plated + thermal setting lacquer
<b>NESTING DISTANCE</b>	135 mm

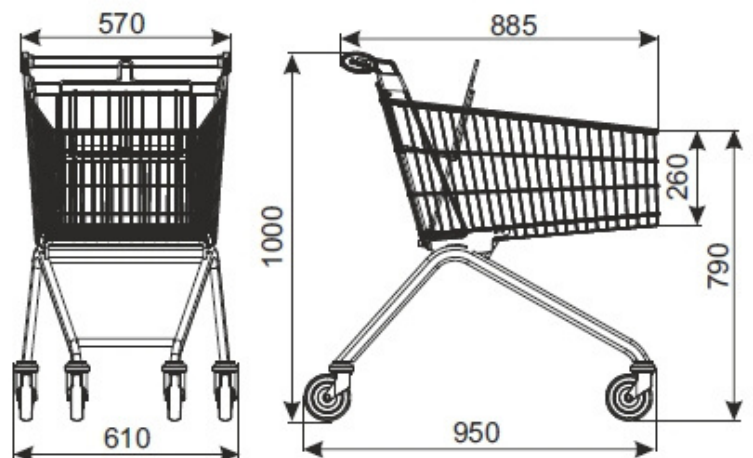
In the standard version shopping trolley has standard wheels. Optional accessories (inter alia coin lock, the logo and other accessories) require separate arrangements.



## SHOPPING TROLLEY AVANT 106



<b>TYPE</b>	Avant 106
<b>BASKET CAPACITY</b>	101 l
<b>LOADING</b>	101 kg
<b>WHEEL DIAMETER</b>	125 mm
<b>FINISH</b>	zinc plated + thermal setting lacquer
<b>NESTING DISTANCE</b>	205 mm



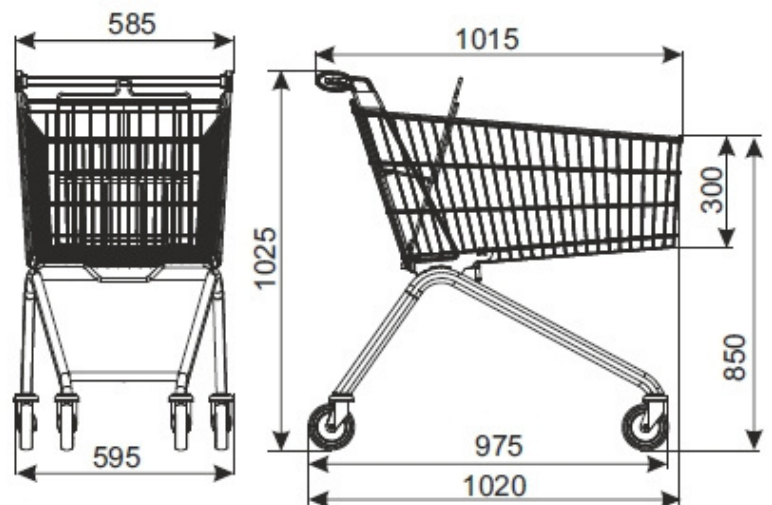
In the standard version shopping trolley has standard wheels. Optional accessories (inter alia wheels for travelator or with brake, coin lock, the logo and other accessories) require separate arrangements.

## SHOPPING TROLLEY AVANT 130



<b>TYPE</b>	Avant 130
<b>BASKET CAPACITY</b>	130 l
<b>LOADING</b>	130 kg
<b>WHEEL DIAMETER</b>	125 mm
<b>FINISH</b>	zinc plated + thermal setting lacquer
<b>NESTING DISTANCE</b>	210 mm

In the standard version shopping trolley has standard wheels. Optional accessories (inter alia wheels for travelator or with brake, coin lock, the logo and other accessories) require separate arrangements.



## SHOPPING TROLLEY AVANT 130P



<b>TYPE</b>	Avant 130P
<b>BASKET CAPACITY</b>	130 l
<b>LOADING OF THE SHELF FOR MULTI-PACK</b>	30 kg
<b>LOADING</b>	160 kg
<b>WHEEL DIAMETER</b>	125 mm
<b>FINISH</b>	zinc plated + thermal setting lacquer
<b>NESTING DISTANCE</b>	210 mm



In the standard version shopping trolley has standard wheels. Optional accessories (inter alia wheels for travelator or with brake, coin lock, the logo and other accessories) require separate arrangements.

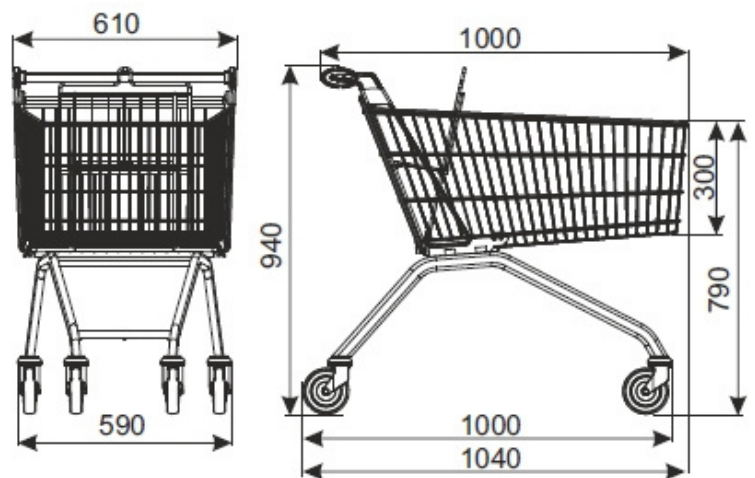
Note: If you use wheels for travelator, maximum loading of the trolley is 130 kg.

## SHOPPING TROLLEY AVANT 140



<b>TYPE</b>	Avant 140
<b>BASKET CAPACITY</b>	136 l
<b>LOADING</b>	136 kg
<b>WHEEL DIAMETER</b>	125 mm
<b>FINISH</b>	zinc plated + thermal setting lacquer
<b>NESTING DISTANCE</b>	220 mm

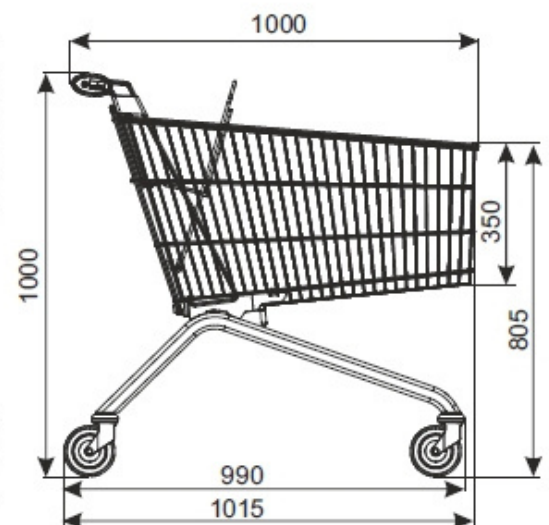
In the standard version shopping trolley has standard wheels. Optional accessories (inter alia wheels for travelator or with brake, coin lock, the logo and other accessories) require separate arrangements.  
 Note: If you use wheels for travelator, maximum loading of the trolley is 130 kg.



## SHOPPING TROLLEY AVANT 150N



TYPE	Avant 150N
BASKET CAPACITY	151 l
LOADING	151 kg
WHEEL DIAMETER	125 mm
FINISH	zinc plated + thermal setting lacquer
NESTING DISTANCE	220 mm

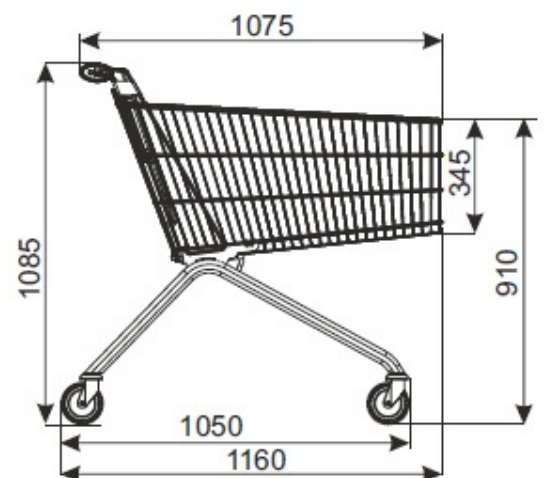


In the standard version shopping trolley has standard wheels. Optional accessories (inter alia wheels for travelator or with brake, coin lock, the logo and other accessories) require separate arrangements. Note: If you use wheels for travelator, maximum loading of the trolley is 130 kg.

## SHOPPING TROLLEY AVANT 185



<b>TYPE</b>	Avant 185
<b>BASKET CAPACITY</b>	178 l
<b>LOADING</b>	178 kg
<b>WHEEL DIAMETER</b>	125 mm
<b>FINISH</b>	zinc plated + thermal setting lacquer
<b>NESTING DISTANCE</b>	210 mm



In the standard version shopping trolley has standard wheels. Optional accessories (inter alia wheels for travelator or with brake, coin lock, the logo and other accessories) require separate arrangements.

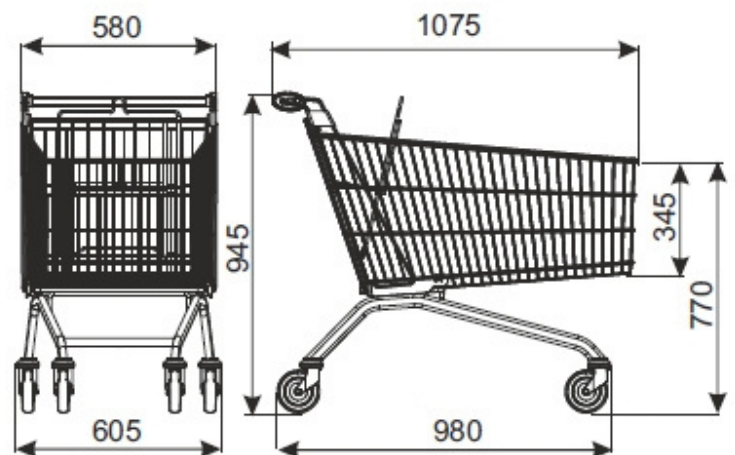
Note: If you use wheels for travelator, maximum loading of the trolley is 130 kg.



## SHOPPING TROLLEY AVANT 185N



<b>TYPE</b>	Avant 185N
<b>BASKET CAPACITY</b>	178 l
<b>LOADING</b>	178 kg
<b>WHEEL DIAMETER</b>	125 mm
<b>FINISH</b>	zinc plated + thermal setting lacquer
<b>NESTING DISTANCE</b>	245 mm

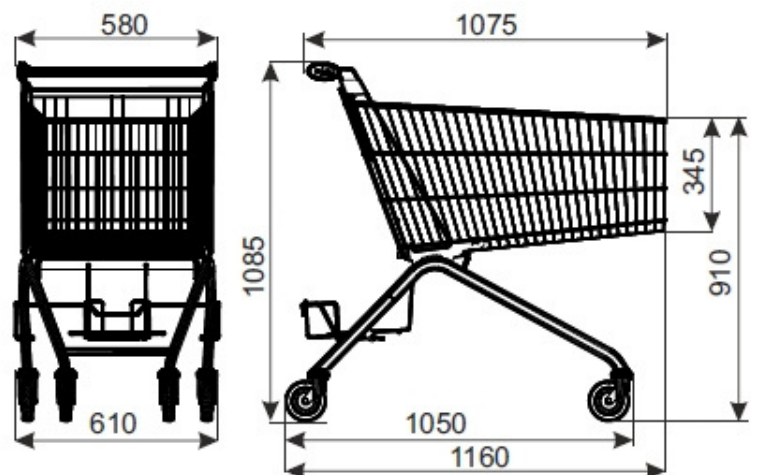


In the standard version shopping trolley has standard wheels. Optional accessories (inter alia wheels for travelator or with brake, coin lock, the logo and other accessories) require separate arrangements. Note: If you use wheels for travelator, maximum loading of the trolley is 130 kg.

## SHOPPING TROLLEY AVANT 185P



<b>TYPE</b>	Avant 185P
<b>BASKET CAPACITY</b>	178 l
<b>LOADING OF THE SHELF FOR MULTI-PACK</b>	20 kg
<b>LOADING</b>	198 kg
<b>WHEEL DIAMETER</b>	125 mm
<b>FINISH</b>	zinc plated + thermal setting lacquer
<b>NESTING DISTANCE</b>	210 mm

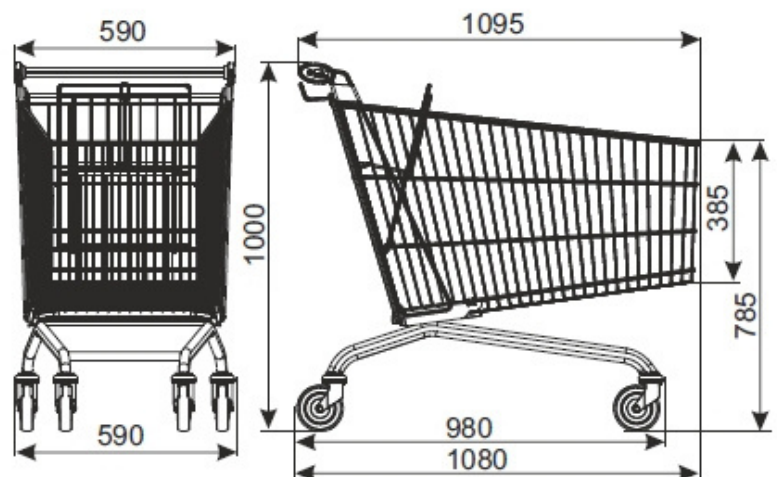


In the standard version shopping trolley has standard wheels. Optional accessories (inter alia wheels for travelator or with brake, coin lock, the logo and other accessories) require separate arrangements.  
 Note: If you use wheels for travelator, maximum loading of the trolley is 130 kg.

## SHOPPING TROLLEY AVANT 210 AP



<b>TYPE</b>	Avant 210 AP
<b>BASKET CAPACITY</b>	203 l
<b>LOADING</b>	203 kg
<b>WHEEL DIAMETER</b>	125 mm
<b>FINISH</b>	zinc plated + thermal setting lacquer
<b>NESTING DISTANCE</b>	235 mm



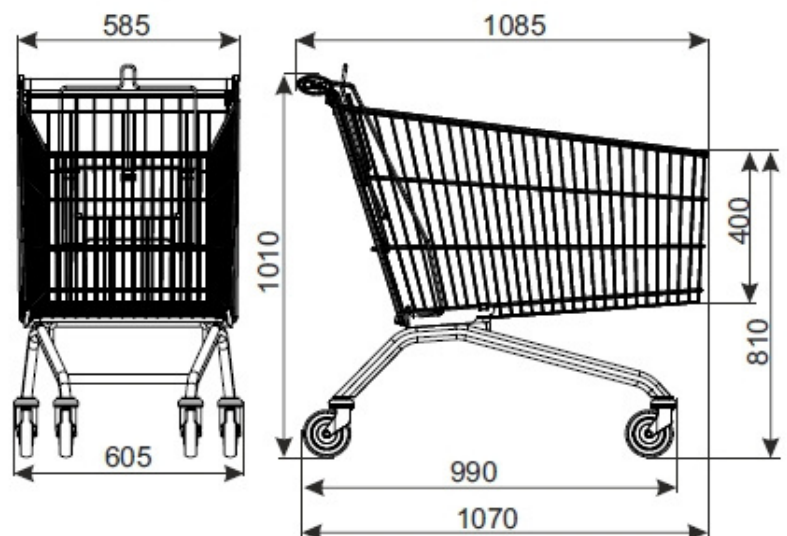
In the standard version shopping trolley has standard wheels. Optional accessories (inter alia wheels for travelator or with brake, coin lock, the logo and other accessories) require separate arrangements.  
 Note: If you use wheels for travelator, maximum loading of the trolley is 130 kg.

## SHOPPING TROLLEY AVANT 212W



<b>TYPE</b>	Avant 212W
<b>BASKET CAPACITY</b>	206 l
<b>LOADING</b>	206 kg
<b>WHEEL DIAMETER</b>	125 mm
<b>FINISH</b>	zinc plated + thermal setting lacquer
<b>NESTING DISTANCE</b>	240 mm

In the standard version shopping trolley has standard wheels. Optional accessories (inter alia wheels for travelator or with brake, coin lock, the logo and other accessories) require separate arrangements. Note: If you use wheels for travelator, maximum loading of the trolley is 130 kg.

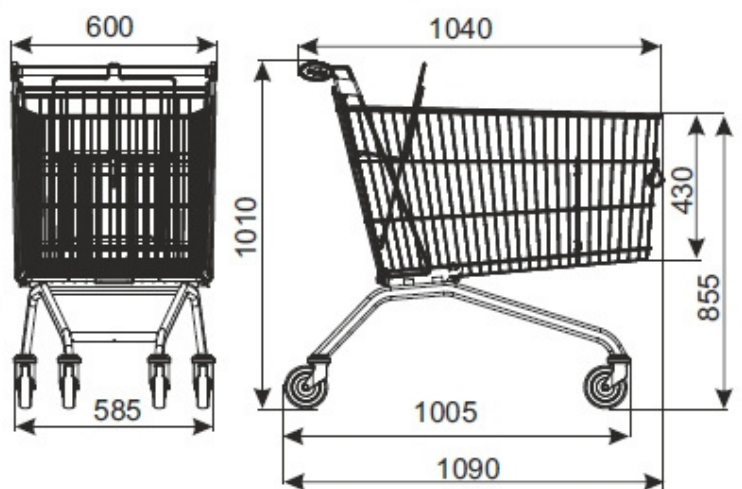


## SHOPPING TROLLEY AVANT 215



<b>TYPE</b>	Avant 215
<b>BASKET CAPACITY</b>	215 l
<b>LOADING</b>	215 kg
<b>WHEEL DIAMETER</b>	125 mm
<b>FINISH</b>	zinc plated + thermal setting lacquer
<b>NESTING DISTANCE</b>	220 mm

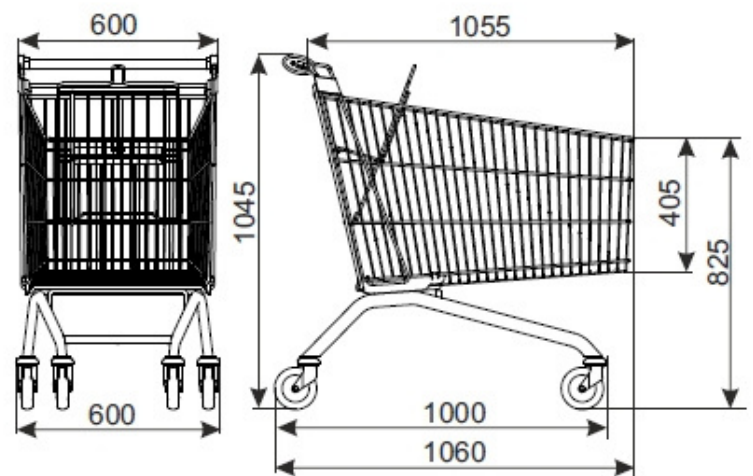
In the standard version shopping trolley has standard wheels. Optional accessories (inter alia wheels for travelator or with brake, coin lock, the logo and other accessories) require separate arrangements.  
 Note: If you use wheels for travelator, maximum loading of the trolley is 130 kg.



## SHOPPING TROLLEY AVANT 215 AL



<b>TYPE</b>	Avant 215 AL
<b>BASKET CAPACITY</b>	206 l
<b>LOADING</b>	206 kg
<b>WHEEL DIAMETER</b>	125 mm
<b>FINISH</b>	zinc plated + thermal setting lacquer
<b>NESTING DISTANCE</b>	240 mm



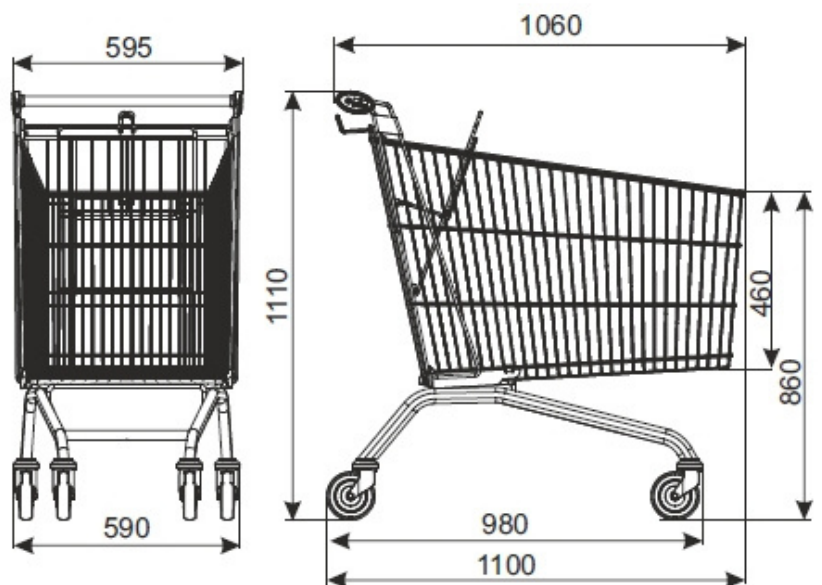
In the standard version shopping trolley has standard wheels. Optional accessories (inter alia wheels for travelator or with brake, coin lock, the logo and other accessories) require separate arrangements.  
 Note: If you use wheels for travelator, maximum loading of the trolley is 130 kg.

## SHOPPING TROLLEY AVANT 240AS



TYPE	Avant 240AS
BASKET CAPACITY	240 l
LOADING	240 kg
WHEEL DIAMETER	125 mm
FINISH	zinc plated + thermal setting lacquer
NESTING DISTANCE	245 mm

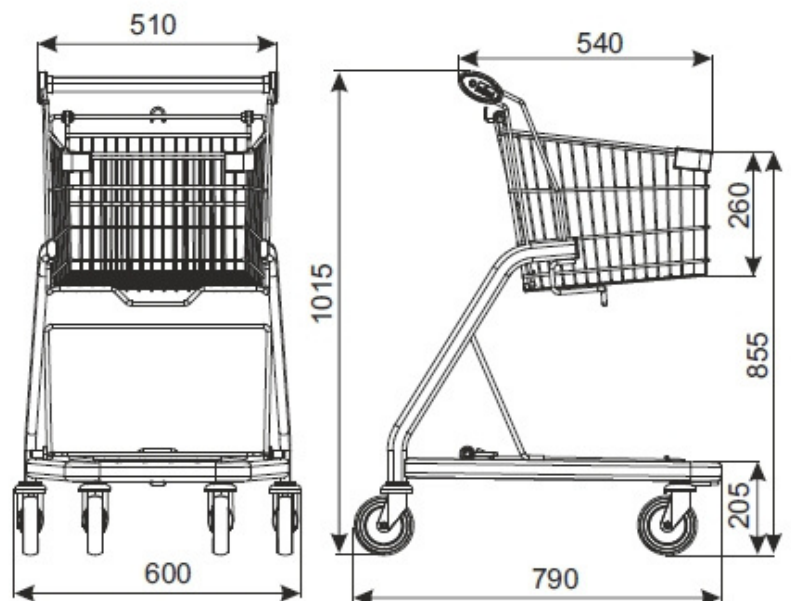
In the standard version shopping trolley has standard wheels. Optional accessories (inter alia wheels for travelator or with brake, coin lock, the logo and other accessories) require separate arrangements. Note: If you use wheels for travelator, maximum loading of the trolley is 130 kg.



## SHOPPING TROLLEY CLASSIC 60



<b>TYPE</b>	Classic 60
<b>BASKET CAPACITY</b>	60 l
<b>LOADING OF BASKET</b>	60 kg
<b>TOTAL LOADING</b>	85 kg
<b>WHEEL DIAMETER</b>	125 mm
<b>FINISH</b>	zinc plated + thermal setting lacquer/ optionally galvanic zinc + powder coating RAL 7016
<b>NESTING DISTANCE</b>	180 mm



In the standard version shopping trolley has standard wheels. Optional accessories (inter alia wheels for travelator or with brake, coin lock, the logo and other accessories) require separate arrangements.

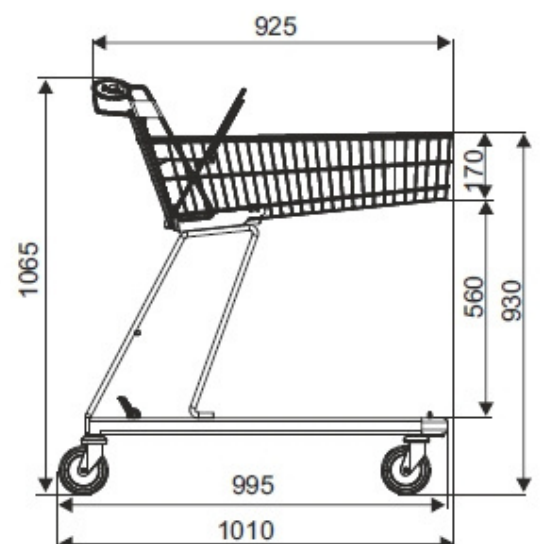
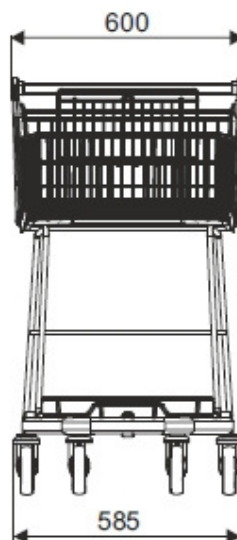


## SHOPPING TROLLEY CLASSIC 70 SPECIAL (WT-70RPS)



TYPE	Classic 70 SPECIAL
BASKET CAPACITY	70 l
LOADING OF BASKET	70 kg
TOTAL LOADING	110 kg
WHEEL DIAMETER	125 mm
NESTING DISTANCE	230 mm

In the standard version shopping trolley has standard wheels and is without the logo and coin lock. Optional accessories (inter alia wheels for travelator or with brake, locks and other accessories) require separate arrangements.



## SHOPPING TROLLEY CLASSIC 90 RELAXT

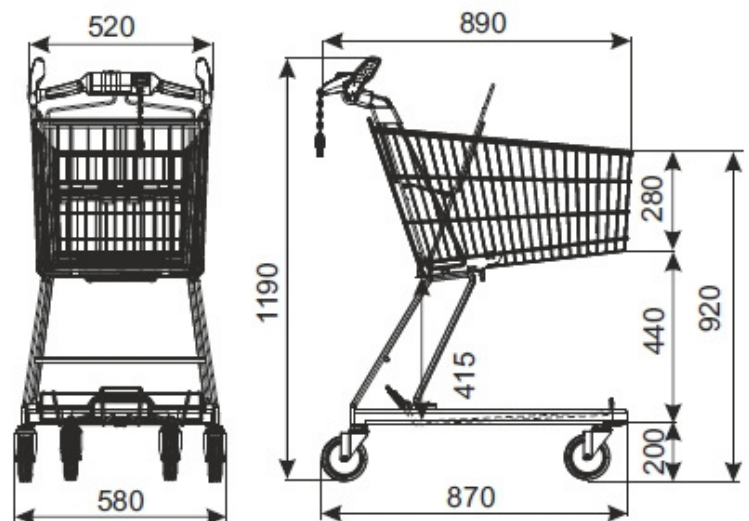


The trolley is equipped with an original, modern handle with a built-in coin lock, anti-static protection and a place for an advertising. The construction of the handle ensures easy maneuvering of the loaded trolley.



<b>TYPE</b>	Classic 90 Relaxt
<b>BASKET CAPACITY</b>	85 l
<b>LOADING OF BASKET</b>	85 kg
<b>TOTAL LOADING</b>	125 kg
<b>WHEEL DIAMETER</b>	125 mm
<b>FINISH</b>	zinc plated + thermal setting lacquer
<b>NESTING DISTANCE</b>	180 mm

In the standard version shopping trolley has standard wheels. Optional accessories (inter alia wheels for travelator or with brake, coin lock, the logo and other accessories) require separate arrangements.



## SHOPPING TROLLEY CLASSIC 90F



<b>TYPE</b>	Classic 90F
<b>BASKET CAPACITY</b>	95 l
<b>LOADING</b>	95 kg
<b>WHEEL DIAMETER</b>	100 mm
<b>FINISH</b>	zinc plated + thermal setting lacquer
<b>NESTING DISTANCE</b>	190 mm

In the standard version shopping trolley has standard wheels. Optional accessories (inter alia coin lock, the logo and other accessories) require separate arrangements.



## SHOPPING TROLLEY CLASSIC 90



<b>TYPE</b>	Classic 90
<b>BASKET CAPACITY</b>	85 l
<b>LOADING OF BASKET</b>	85 kg
<b>TOTAL LOADING</b>	125 kg
<b>WHEEL DIAMETER</b>	100 mm (optionally 125 mm)
<b>FINISH</b>	zinc plated + thermal setting lacquer
<b>NESTING DISTANCE</b>	180 mm

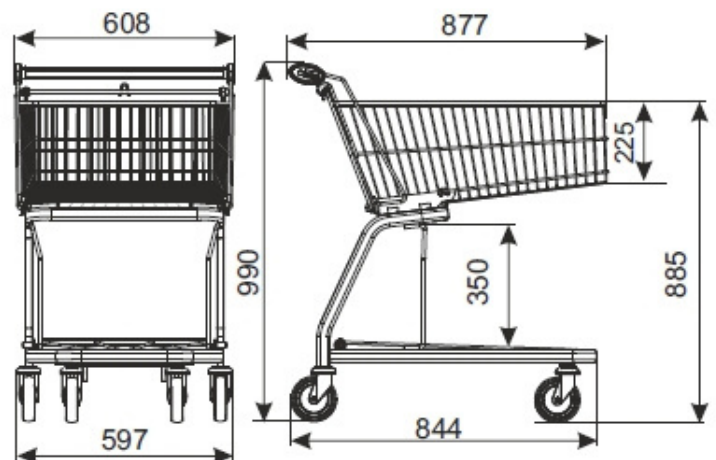
In the standard version shopping trolley has standard wheels. Optional accessories (inter alia wheels for travelator or with brake, coin lock, the logo and other accessories) require separate arrangements.



## SHOPPING TROLLEY CLASSIC 100S



<b>TYPE</b>	Classic 100S
<b>BASKET CAPACITY</b>	100 l
<b>LOADING OF BASKET</b>	100 kg
<b>TOTAL LOADING</b>	130 kg
<b>WHEEL DIAMETER</b>	125 mm
<b>FINISH</b>	zinc plated + thermal setting lacquer
<b>NESTING DISTANCE</b>	220 mm



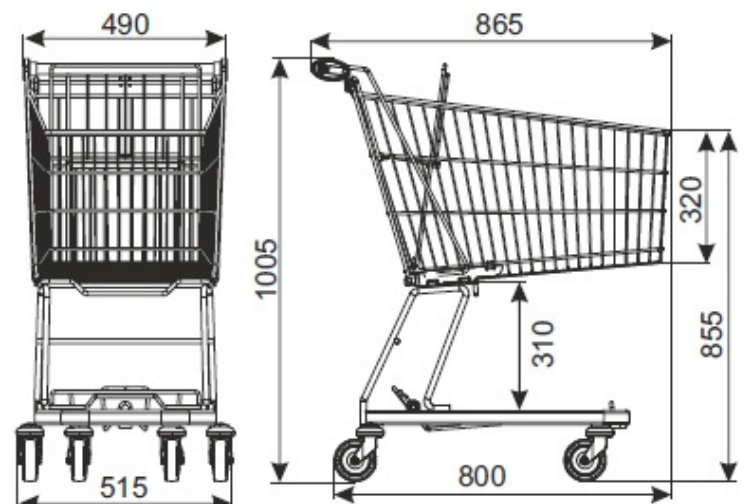
In the standard version shopping trolley has standard wheels. Optional accessories (inter alia coin lock, the logo and other accessories) require separate arrangements.

## SHOPPING TROLLEY CLASSIC 110D



<b>TYPE</b>	Classic 110D
<b>BASKET CAPACITY</b>	110 l
<b>LOADING OF BASKET</b>	110 kg
<b>TOTAL LOADING</b>	140 kg
<b>WHEEL DIAMETER</b>	100 mm
<b>FINISH</b>	zinc plated + thermal setting lacquer
<b>NESTING DISTANCE</b>	165 mm

In the standard version shopping trolley has standard wheels. Optional accessories (inter alia coin lock, the logo and other accessories) require separate arrangements.



## SHOPPING TROLLEY CLASSIC 125F



<b>TYPE</b>	Classic 125F
<b>BASKET CAPACITY</b>	125 l
<b>LOADING</b>	125 kg
<b>WHEEL DIAMETER</b>	125 mm
<b>FINISH</b>	zinc plated + thermal setting lacquer
<b>NESTING DISTANCE</b>	220 mm

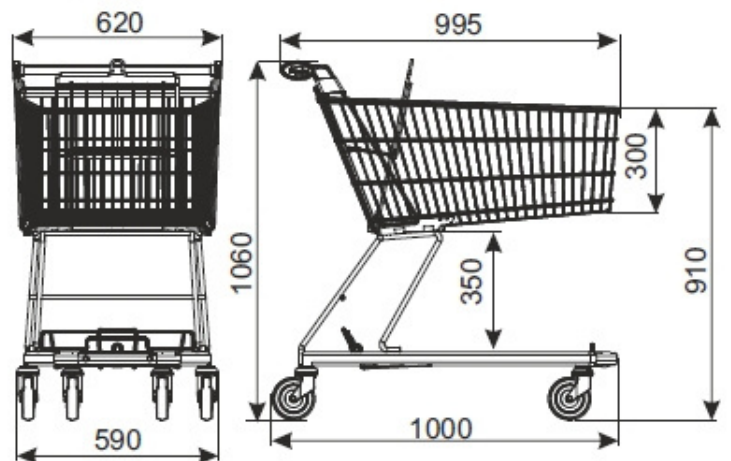
In the standard version shopping trolley has standard wheels. Optional accessories (inter alia wheels for travelator or with brake, coin lock, the logo and other accessories) require separate arrangements.



## SHOPPING TROLLEY CLASSIC 140



<b>TYPE</b>	Classic 140
<b>BASKET CAPACITY</b>	136 l
<b>LOADING OF BASKET</b>	136 kg
<b>TOTAL LOADING</b>	186 kg
<b>WHEEL DIAMETER</b>	125 mm
<b>FINISH</b>	zinc plated + thermal setting lacquer
<b>NESTING DISTANCE</b>	220 mm



In the standard version shopping trolley has standard wheels. Optional accessories (inter alia wheels for travelator or with brake, coin lock, the logo and other accessories) require separate arrangements.  
 Note: If you use wheels for travelator, maximum loading of the trolley is 130 kg.

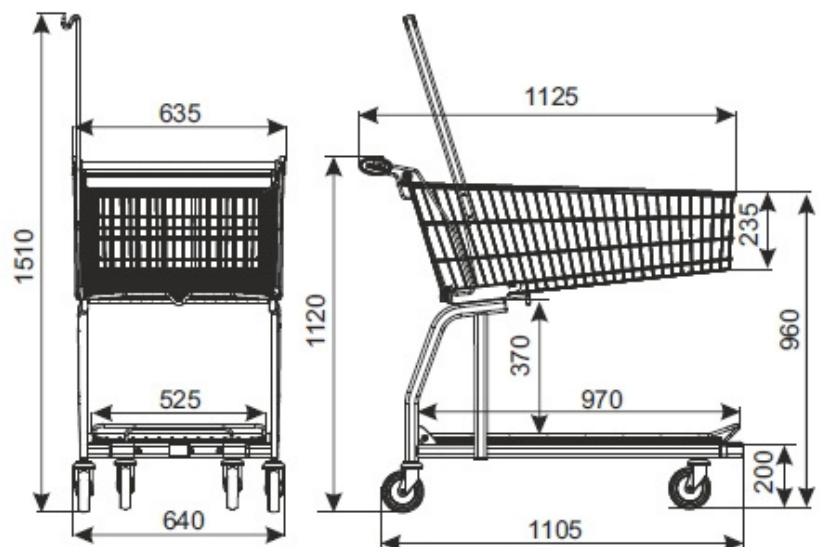


## SHOPPING TROLLEY CLASSIC 140M



TYPE	Classic 140M
BASKET CAPACITY	140 l
LOADING OF BASKET	140 kg
TOTAL LOADING	190 kg
WHEEL DIAMETER	125 mm
FINISH	zinc plated + thermal setting lacquer
NESTING DISTANCE	265 mm

In the standard version shopping trolley has standard wheels. Optional accessories (inter alia wheels for travelator or with brake, coin lock, the logo and other accessories) require separate arrangements. Textiles holder is optional equipment.  
 Note: If you use wheels for travelator, maximum loading of the trolley is 130 kg.



## SHOPPING TROLLEY CLASSIC 150F



<b>TYPE</b>	Classic 150F
<b>BASKET CAPACITY</b>	156 l
<b>LOADING</b>	156 kg
<b>WHEEL DIAMETER</b>	125 mm
<b>FINISH</b>	zinc plated + thermal setting lacquer
<b>NESTING DISTANCE</b>	225 mm

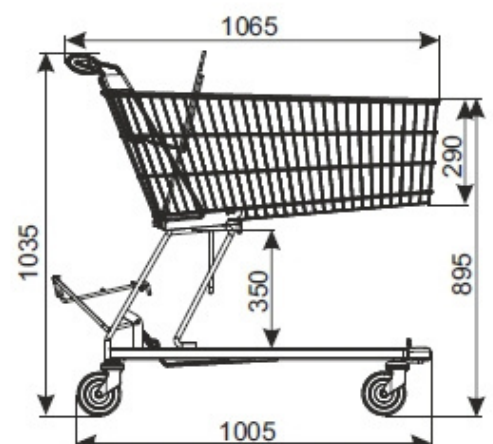


In the standard version shopping trolley has standard wheels. Optional accessories (inter alia wheels for travelator or with brake, coin lock, the logo and other accessories) require separate arrangements.  
 Note: If you use wheels for travelator, maximum loading of the trolley is 130 kg.

## SHOPPING TROLLEY CLASSIC 155P (with the shelf for multi-pack)



<b>TYPE</b>	Classic 155P
<b>BASKET CAPACITY</b>	143 l
<b>LOADING OF BASKET</b>	143 kg
<b>LOADING OF THE SHELF FOR MULTI-PACK</b>	30 kg
<b>TOTAL LOADING</b>	210 kg
<b>WHEEL DIAMETER</b>	125 mm
<b>FINISH</b>	zinc plated + thermal setting lacquer
<b>NESTING DISTANCE</b>	245 mm



In the standard version shopping trolley has standard wheels. Optional accessories (inter alia wheels for travelator or with brake, coin lock, the logo and other accessories) require separate arrangements.

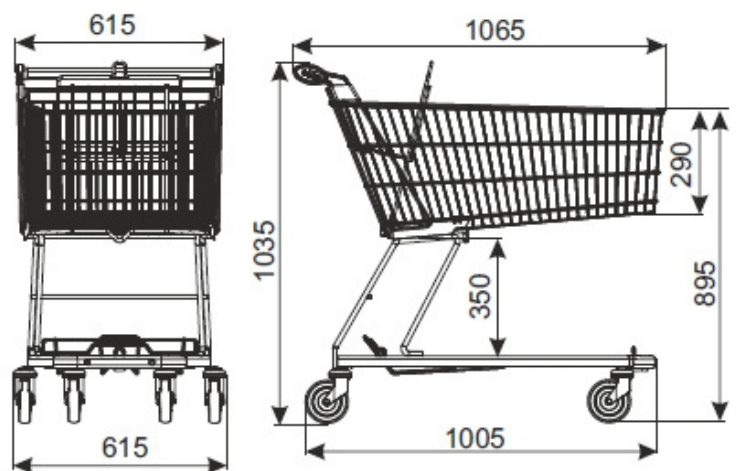
Note: If you use wheels for travelator, maximum loading of the trolley is 130 kg.

## SHOPPING TROLLEY CLASSIC 155



<b>TYPE</b>	Classic 155
<b>BASKET CAPACITY</b>	143 l
<b>LOADING OF BASKET</b>	143 kg
<b>TOTAL LOADING</b>	190 kg
<b>WHEEL DIAMETER</b>	125 mm
<b>FINISH</b>	zinc plated + thermal setting lacquer
<b>NESTING DISTANCE</b>	245 mm

In the standard version shopping trolley has standard wheels. Optional accessories (inter alia wheels for travelator or with brake, coin lock, the logo and other accessories) require separate arrangements.  
 Note: If you use wheels for travelator, maximum loading of the trolley is 130 kg.



## SHOPPING TROLLEY CLASSIC 180FP



<b>TYPE</b>	Classic 180FP
<b>BASKET CAPACITY</b>	177 l
<b>LOADING OF THE SHELF FOR MULTI-PACK</b>	30 kg
<b>LOADING</b>	207 kg
<b>WHEEL DIAMETER</b>	125 mm
<b>FINISH</b>	zinc plated + thermal setting lacquer
<b>NESTING DISTANCE</b>	205 mm



In the standard version shopping trolley has standard wheels. Optional accessories (inter alia wheels with brake, coin lock, the logo and other accessories) require separate arrangements.

## SHOPPING TROLLEY CLASSIC 180F



<b>TYPE</b>	Classic 180F
<b>BASKET CAPACITY</b>	177 l
<b>LOADING</b>	177 kg
<b>WHEEL DIAMETER</b>	125 mm
<b>FINISH</b>	zinc plated + thermal setting lacquer
<b>NESTING DISTANCE</b>	205 mm

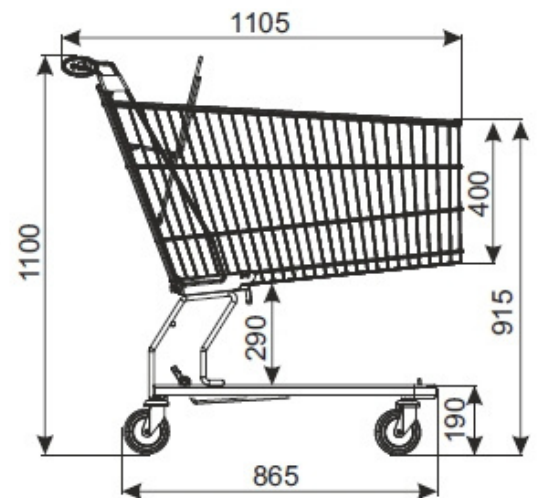


In the standard version shopping trolley has standard wheels. Optional accessories (inter alia wheels for travelator or with brake, coin lock, the logo and other accessories) require separate arrangements. Note: If you use wheels for travelator, maximum loading of the trolley is 130 kg.

## SHOPPING TROLLEY CLASSIC 180K



<b>TYPE</b>	Classic 180K
<b>BASKET CAPACITY</b>	180 l
<b>LOADING OF BASKET</b>	180 kg
<b>TOTAL LOADING</b>	230 kg
<b>WHEEL DIAMETER</b>	125 mm
<b>FINISH</b>	zinc plated + thermal setting lacquer
<b>NESTING DISTANCE</b>	220 mm



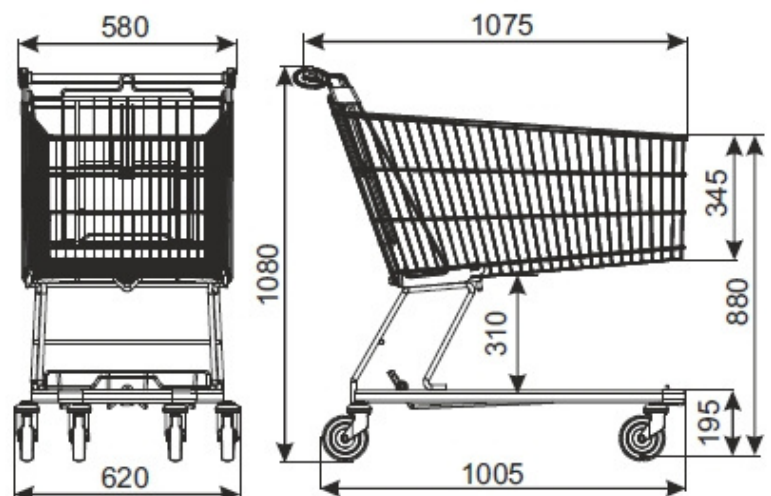
In the standard version shopping trolley has standard wheels. Optional accessories (inter alia wheels for travelator or with brake, coin lock, the logo and other accessories) require separate arrangements.  
 Note: If you use wheels for travelator, maximum loading of the trolley is 130 kg.

## SHOPPING TROLLEY CLASSIC 185



<b>TYPE</b>	Classic 185
<b>BASKET CAPACITY</b>	178 l
<b>LOADING OF BASKET</b>	178 kg
<b>TOTAL LOADING</b>	228 kg
<b>WHEEL DIAMETER</b>	125 mm
<b>FINISH</b>	zinc plated + thermal setting lacquer
<b>NESTING DISTANCE</b>	245 mm

In the standard version shopping trolley has standard wheels. Optional accessories (inter alia wheels for travelator or with brake, coin lock, the logo and other accessories) require separate arrangements.  
 Note: If you use wheels for travelator, maximum loading of the trolley is 130 kg.



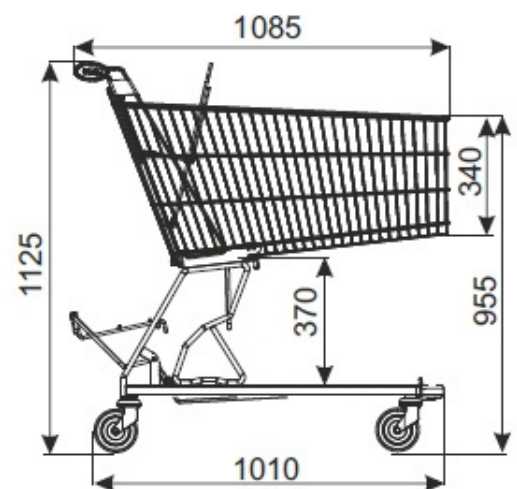


## SHOPPING TROLLEY CLASSIC 185MP (with the shelf for multi-pack)



<b>TYPE</b>	Classic 185MP
<b>BASKET CAPACITY</b>	178 l
<b>LOADING OF BASKET</b>	178 kg
<b>LOADING OF THE SHELF FOR MULTI-PACK</b>	30 kg
<b>TOTAL LOADING</b>	258 kg
<b>WHEEL DIAMETER</b>	125 mm
<b>FINISH</b>	zinc plated + thermal setting lacquer
<b>NESTING DISTANCE</b>	245 mm

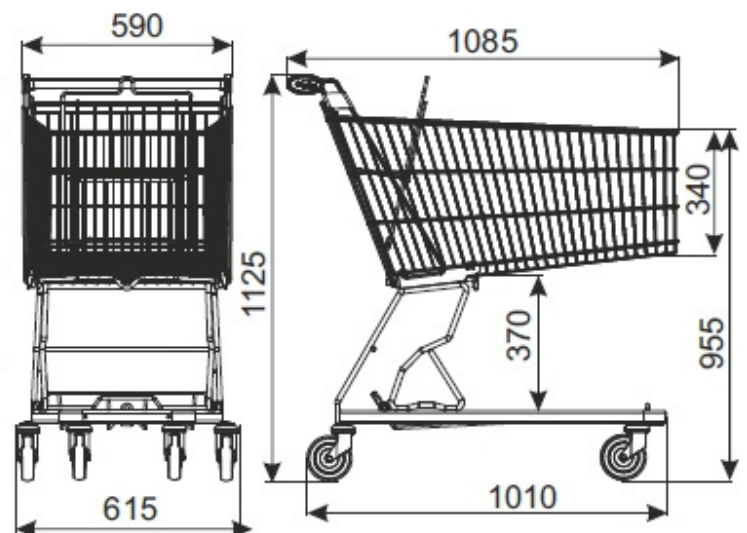
In the standard version shopping trolley has standard wheels. Optional accessories (inter alia wheels for travelator or with brake, coin lock, the logo and other accessories) require separate arrangements.  
 Note: If you use wheels for travelator, maximum loading of the trolley is 130 kg.



## SHOPPING TROLLEY CLASSIC 185M



<b>TYPE</b>	Classic 185M
<b>BASKET CAPACITY</b>	178 l
<b>LOADING OF BASKET</b>	178 kg
<b>TOTAL LOADING</b>	228
<b>WHEEL DIAMETER</b>	125 mm
<b>FINISH</b>	zinc plated + thermal setting lacquer
<b>NESTING DISTANCE</b>	245 mm

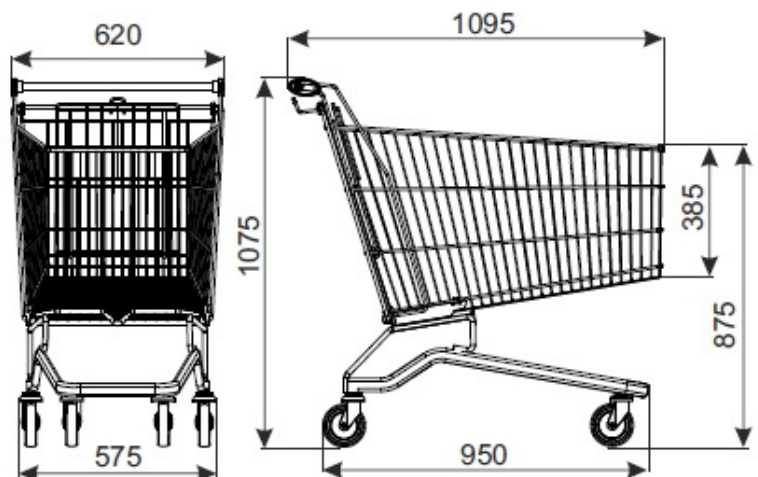


In the standard version shopping trolley has standard wheels. Optional accessories (inter alia wheels for travelator or with brake, coin lock, the logo and other accessories) require separate arrangements. Note: If you use wheels for travelator, maximum loading of the trolley is 130 kg.

## SHOPPING TROLLEY CLASSIC 210F



<b>TYPE</b>	Classic 210F
<b>BASKET CAPACITY</b>	205 l
<b>LOADING</b>	205 kg
<b>WHEEL DIAMETER</b>	125 mm
<b>FINISH</b>	zinc plated + thermal setting lacquer
<b>NESTING DISTANCE</b>	250 mm

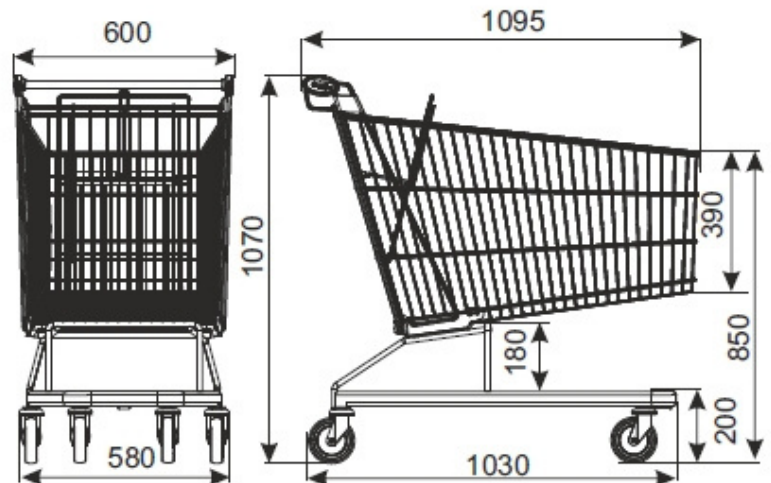


In the standard version shopping trolley has standard wheels. Optional accessories (inter alia wheels for travelator or with brake, coin lock, the logo and other accessories) require separate arrangements. Note: If you use wheels for travelator, maximum loading of the trolley is 130 kg.

## SHOPPING TROLLEY CLASSIC 210A



<b>TYPE</b>	Classic 210A
<b>BASKET CAPACITY</b>	203 l
<b>LOADING</b>	203 kg
<b>WHEEL DIAMETER</b>	125 mm
<b>FINISH</b>	zinc plated + thermal setting lacquer
<b>NESTING DISTANCE</b>	250 mm

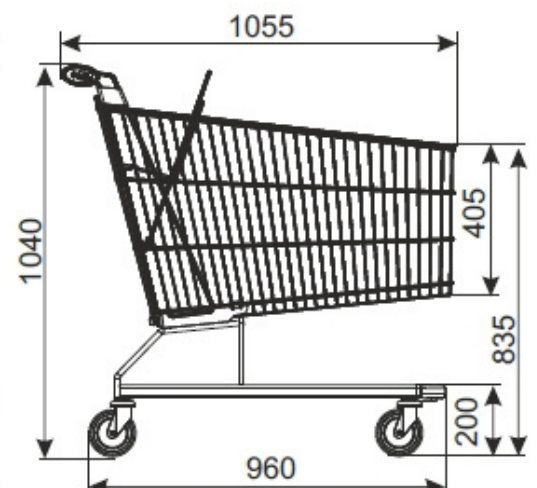


In the standard version shopping trolley has standard wheels. Optional accessories (inter alia wheels for travelator or with brake, coin lock, the logo and other accessories) require separate arrangements.  
 Note: If you use wheels for travelator, maximum loading of the trolley is 130 kg.

## SHOPPING TROLLEY CLASSIC 212A



<b>TYPE</b>	Classic 212A
<b>BASKET CAPACITY</b>	206 l
<b>LOADING</b>	206 kg
<b>WHEEL DIAMETER</b>	125 mm
<b>FINISH</b>	zinc plated + thermal setting lacquer
<b>NESTING DISTANCE</b>	245 mm

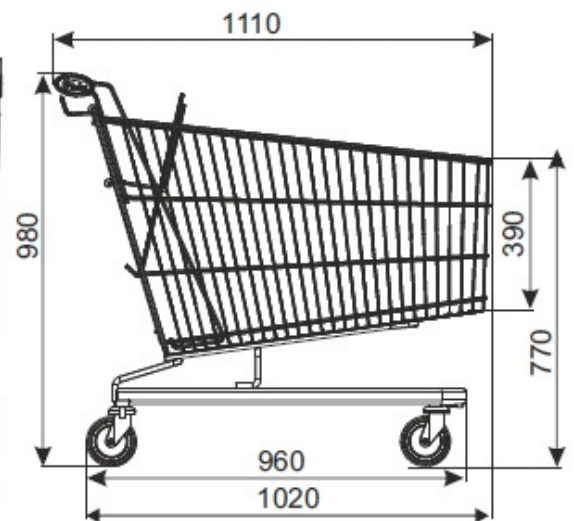


In the standard version shopping trolley has standard wheels. Optional accessories (inter alia wheels for passenger conveyors or with brake, coin lock, the logo and other accessories) require separate arrangements. Note: If you use wheels for passenger conveyors, maximum loading of the trolley is 130 kg.

## SHOPPING TROLLEY CLASSIC 210CC



<b>TYPE</b>	Classic 210CC
<b>BASKET CAPACITY</b>	203 l
<b>LOADING</b>	203 kg
<b>WHEEL DIAMETER</b>	125 mm
<b>FINISH</b>	zinc plated + thermal setting lacquer
<b>NESTING DISTANCE</b>	250 mm



In the standard version shopping trolley has standard wheels. Optional accessories (inter alia wheels for travelator or with brake, coin lock, the logo and other accessories) require separate arrangements. Note: If you use wheels for travelator, maximum loading of the trolley is 130 kg.

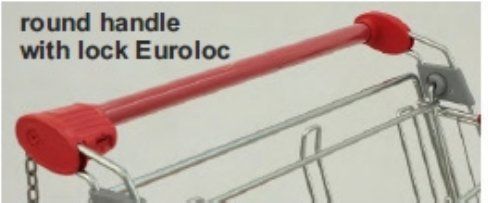
# ACCESSORIES FOR TROLLEYS

## Oval handle FG Coex Ergogrip

Available colors: yellow, blue, red, anthracite. With antistatic strip, easy way of changing the graphics, optionally with coin lock.



## Other types of handles and coin lock



## Plastic elements - a large range of colors



INFO@TOPIKA.SI

## Divider for basket Avant 90 Divider for basket Avant 140/ 215



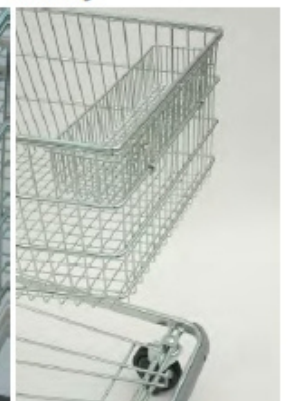
## Plastic hook



## Advertising frame (for graphic 277x205 mm), two-sided



## Basket for small parts to the shopping trolley



## Wheels for trolleys

Different types of wheels, mostly produced by reputable company TENTE: wheels for even surface, plastic wheels, wheels for escalator, wheels with brakes.



## Plastic protectors for basket

