

SPECIAL TROLLEYS

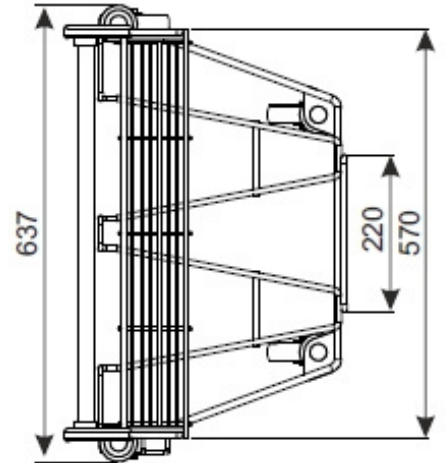
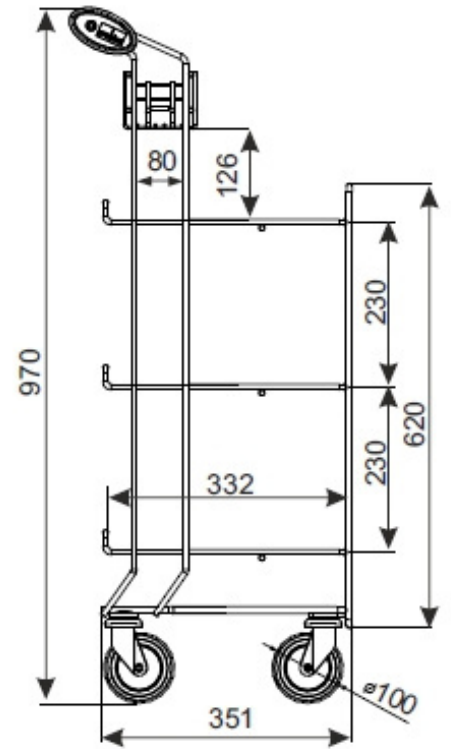
POSEBNI VOZIČKI | SPECIALNA KOLICA



TROLLEY FOR TRAYS



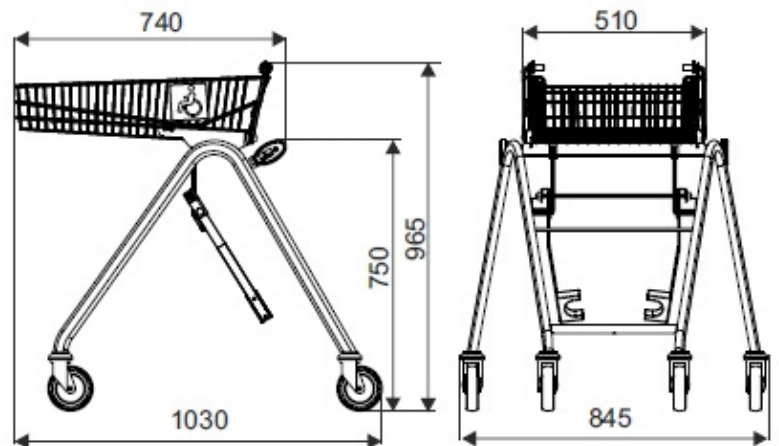
Finish:
zinc plated + thermal setting lacquer.



TROLLEY FOR DISABLED WTN-1



TYPE	Trolley for disabled WTN-1
BASKET CAPACITY	45 l
LOADING	150 kg
WHEEL DIAMETER	125 mm
NESTING DISTANCE	240 mm



LUGGAGE TROLLEY VARIO E1



Mainly used at airports, railway stations and hotels.

Capacity:

Up to 4 pieces of luggages. Upper basket for handy luggage. Practical bag hook.

Service and safety:

High quality of protective handle (grey colour), front bumper and sloped bottom platform allow the safety of luggage. Trolley can be in option with coin lock.

Personalization (optional):

Advertising plate with dimensions 400x200 mm.

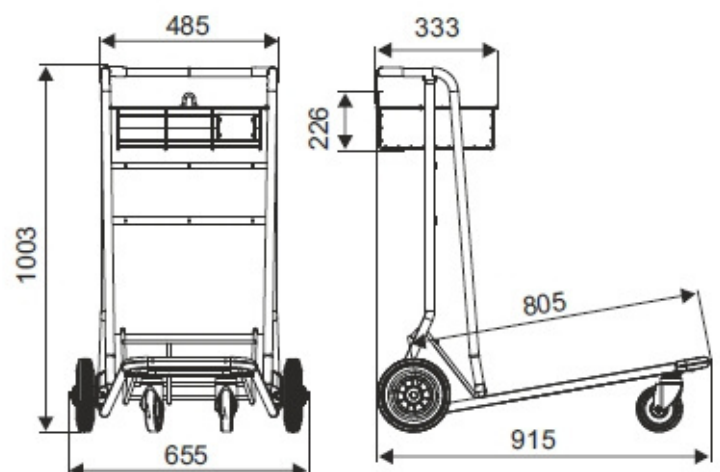
Coating:

zinc galvanized + lacquer.

Options: construction can be powder coated or made of stainless steel.

Rollen:

2 fixed back wheels Ø 200 mm,
2 front swivel wheels Ø 125 mm.



TYPE	Vario E1
TOTAL CAPACITY	250 kg
NESTING DISTANCE	340 mm

LUGGAGE TROLLEY VARIO E2



Mainly used at airports, railway stations and hotels.

Capacity:

Up to 4 pieces of luggages. Upper basket for handy luggage. Practical bag hook.

Service and safety:

High quality of protective handle (grey colour), front bumper and sloped bottom platform allow the safety of luggage.

Personalization (optional):

Advertising plate with dimensions 467x388 mm.

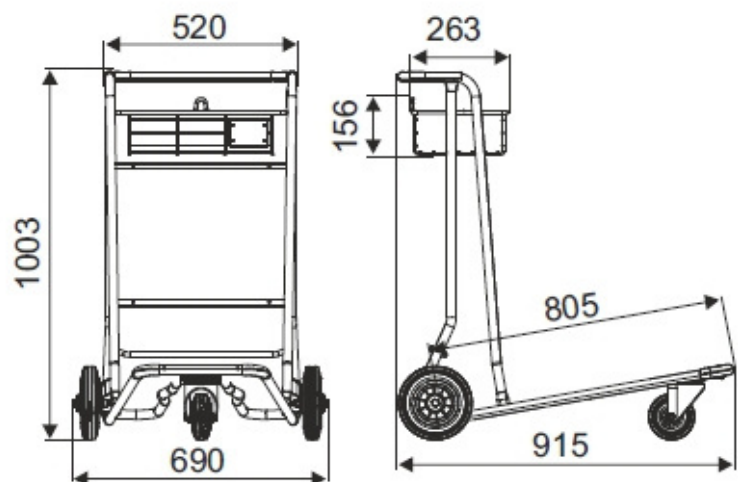
Coating:

zinc galvanized + lacquer.

Options: construction can be powder coated or made of stainless steel.

Wheels:

2 fixed back wheels Ø 200mm, 1 swivel front wheel Ø 125 mm.



TYPE	Vario E2
TOTAL CAPACITY	250 kg
NESTING DISTANCE	270 mm

LUGGAGE TROLLEY VARIO G1



Multipurpose luggage trolley with simple braking system. Designed mainly for airports, railway stations and hotels.

TYPE	Vario G1
LOADING	250 kg
WHEEL DIAMETER	200 mm
NESTING DISTANCE	310 mm

Load capacity:

250kg, up to 4 pieces of luggage.

Sloped lower platform safely holds the pieces of luggage. Upper basket for hand luggage. Practical bag hook. Front bumper. Brake system is operated by handle. Optional coin lock.

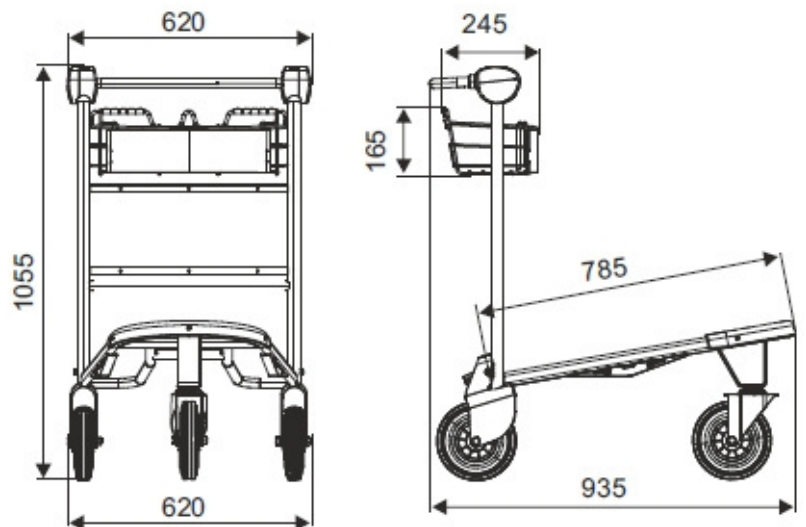
Personalization (optional):

- advertising plate with dimensions 470x288 mm,
- advertising plate on basket

Standard finish:

zinc galvanized + lacquer.

Options: construction can be powder coated or made of stainless steel.



ORDER PICKING TROLLEY



Trolley in combination with slide-in box for packaging. (The slide-in boxes are not included in the equipment of the trolley.)



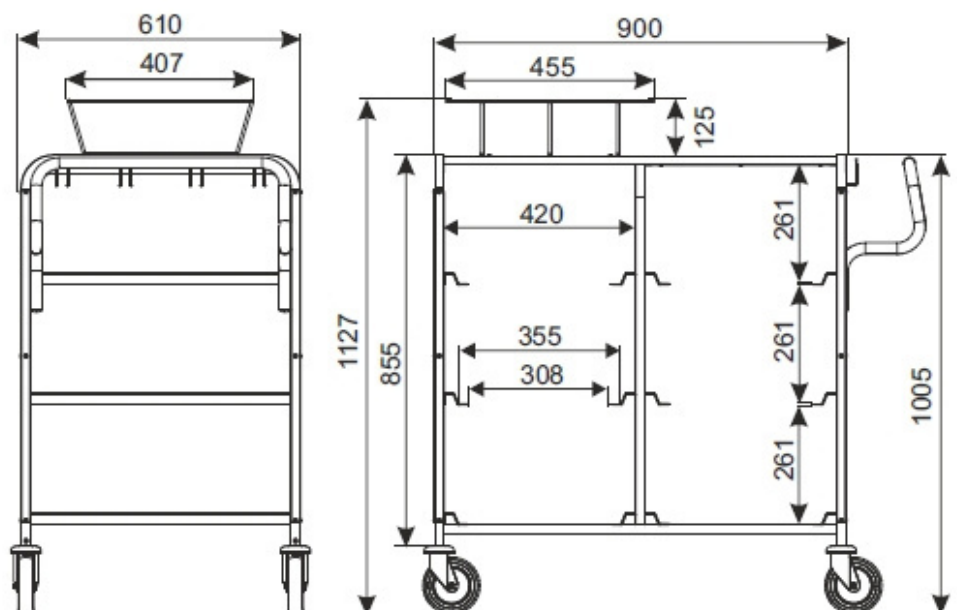
Finish: zinc plated+ lacquer.

Technical data: the structure of the trolley is made of a section and holders made of sheet metal intended for slide-in shelves, wire basket at the top and perforated sheet metal shelf, 4 swivel castors.

Wheel diameter: 125 mm.

Loading of one loading place: 25 kg

Total loading: 150 kg



SERVICE TROLLEY WITH BASKETS



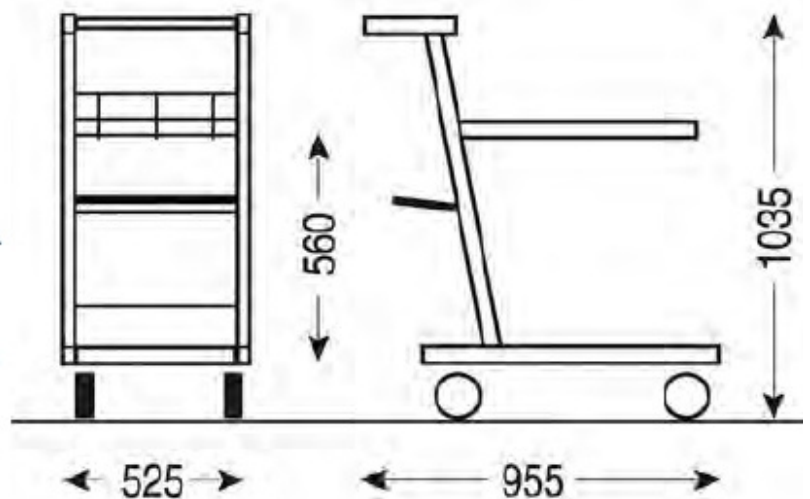
TYPE	Service trolley with baskets
LOADING	200 kg
WHEEL DIAMETER	125 mm

Simple and convenient service trolley will be necessary during service work.

It allows loads up to 200kg thanks to two platforms. Swivel wheels \varnothing 125mm ensure optimal maneuverability. Two fixed platforms and clipboard A4 allow convenient sorting of items and preparation of works. Corner bumpers protect the trolley and ensure durability. Two zinc baskets with dimension: length 600x width 400x height 300m.

Standard finish:

construction - zinc plated + powder coating
basket - zinc plated + lacquer



SERVICE TROLLEY WITHOUT BASKETS

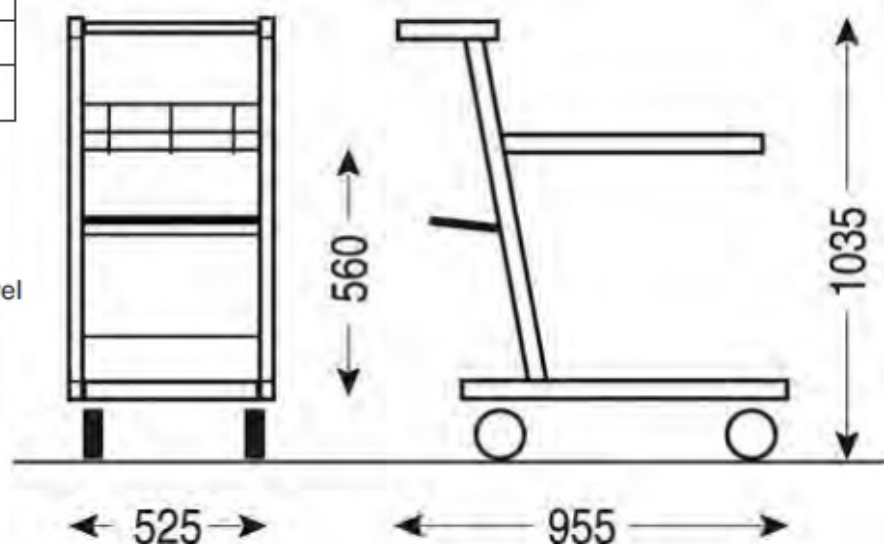


TYPE	Service trolley without baskets
LOADING	200 kg
WHEEL DIAMETER	125 mm

That simple and practical trolley will be necessary for service work.

The permissible loading is up to 200 kg thanks to two platforms. The construction of trolley and swivel wheels \varnothing 125 mm allow optimal manoeuvrability of trolley. Two fixed platforms and dipboard A4 allow convenient way of goods' sorting and preparing of work. Corner bumpers are the protectors of trolley and they allow its stability.

Standard finish:
zinc plated + powder coating.



TROLLEY VARIO WKR V.2 WITH HANDLES FOR BAG

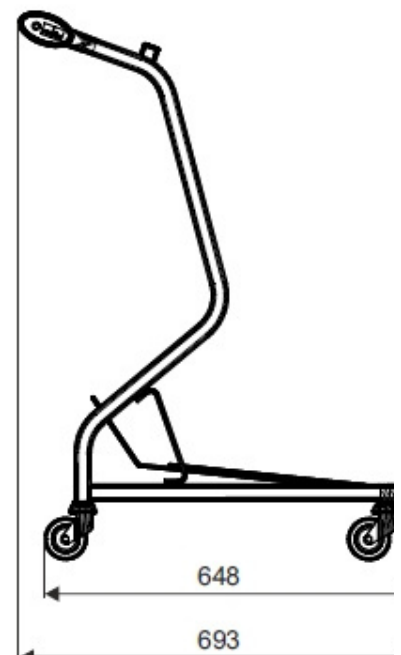
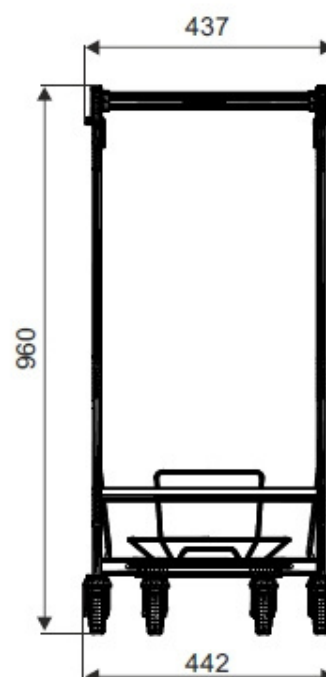


TYPE	Vario WKR v.2 with handles for bag
LOADING	40 kg
WHEEL DIAMETER	75 mm
NESTING DISTANCE	210 mm

Trolley with wire shelf and hooks for hanging shopping bag. (The cart is sold without bags).



Additional equipment: phone holder.



ACCESSORIES FOR TROLLEYS

Oval handle FG Coex Ergogrip

Available colors: yellow, blue, red, anthracite. With antistatic strip, easy way of changing the graphics, optionally with coin lock.



Other types of handles and coin lock



Plastic elements - a large range of colors



INFO@TOPIKA.SI

Divider for basket Avant 90 Divider for basket Avant 140/ 215



Plastic hook



Advertising frame (for graphic 277x205 mm), two-sided



Basket for small parts to the shopping trolley



Wheels for trolleys

Different types of wheels, mostly produced by reputable company TENTE: wheels for even surface, plastic wheels, wheels for escalator, wheels with brakes.



Plastic protectors for basket

