

TRANSPORT TROLLEYS

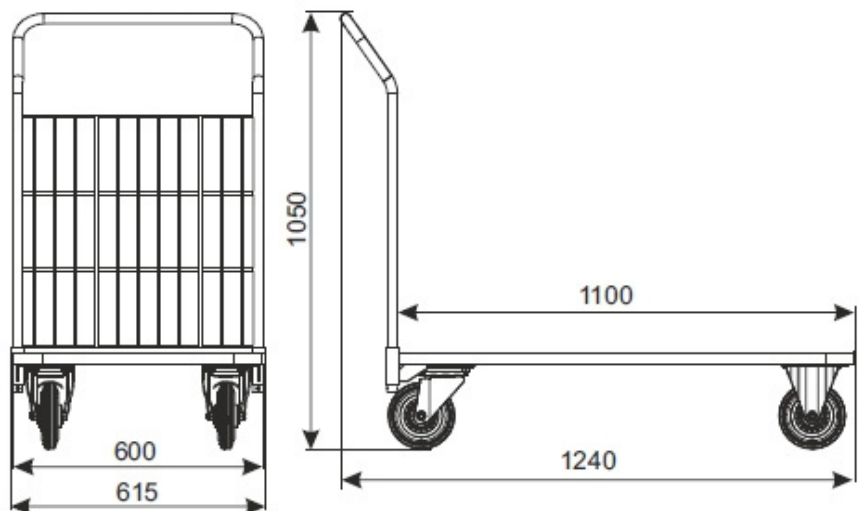
TRANSPORTNI VOZIČKI | TRANSPORTNA KOLICA



PALLET P2-1100X600



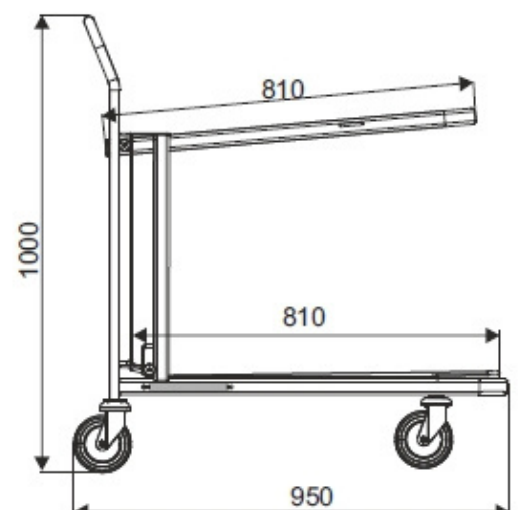
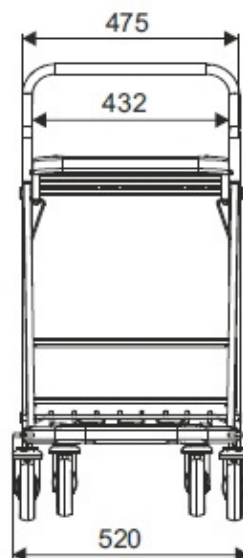
TYPE	Pallet P2-1100x600
LOADING	400 kg
WHEEL DIAMETER	160 mm



TRANSPORT TROLLEY VARIO LIGHT



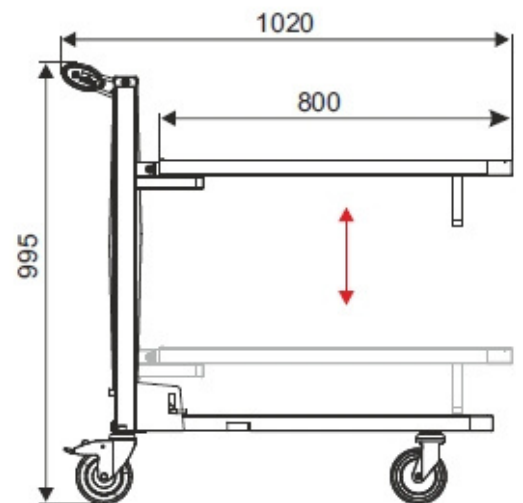
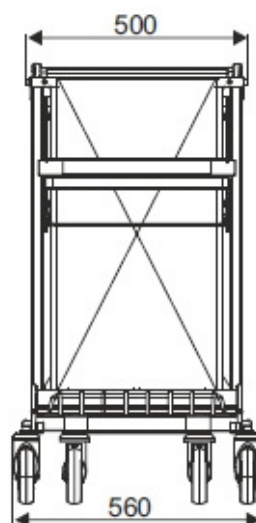
TYPE	Vario Light
LOADING OF THE UPPER SHELF	100 kg
TOTAL LOADING	300 kg
WHEEL DIAMETER	125 mm
NESTING DISTANCE	270 mm



TRANSPORT TROLLEY VARIO HEAVY



TYPE	Vario Heavy
TOTAL LOADING	200 kg
WHEEL DIAMETER	125 mm
NESTING DISTANCE	300 mm



The automatically lowering shelf as the load increases and the possibility of folding it increases the loading comfort and allows for ergonomic use of the loading area of the trolley. The trolley has 4 swivel castors, including 2 with a brake.

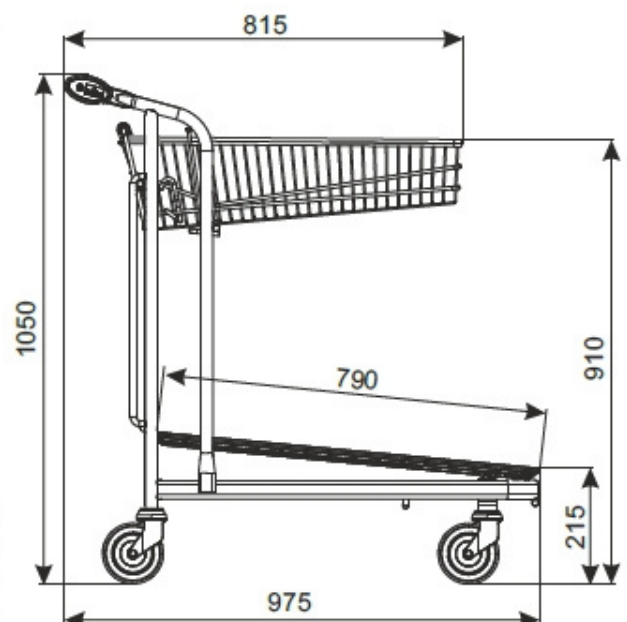
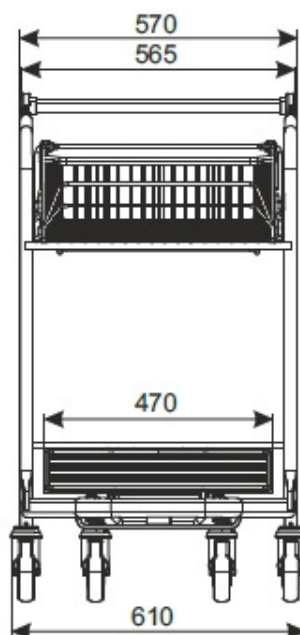
Standard finish:
zinc plated+lacquer.

TRANSPORT TROLLEY VARIO WTP-3



TYPE	Vario WTP-3
BASKET CAPACITY	45 l
LOADING OF BASKET	45 kg
TOTAL LOADING	300 kg
WHEEL DIAMETER	125 mm
NESTING DISTANCE	285 mm

In the standard version shopping trolley has standard wheels. Optional accessories (inter alia wheels with brake, coin lock, logo and other accessories) require separate arrangements.

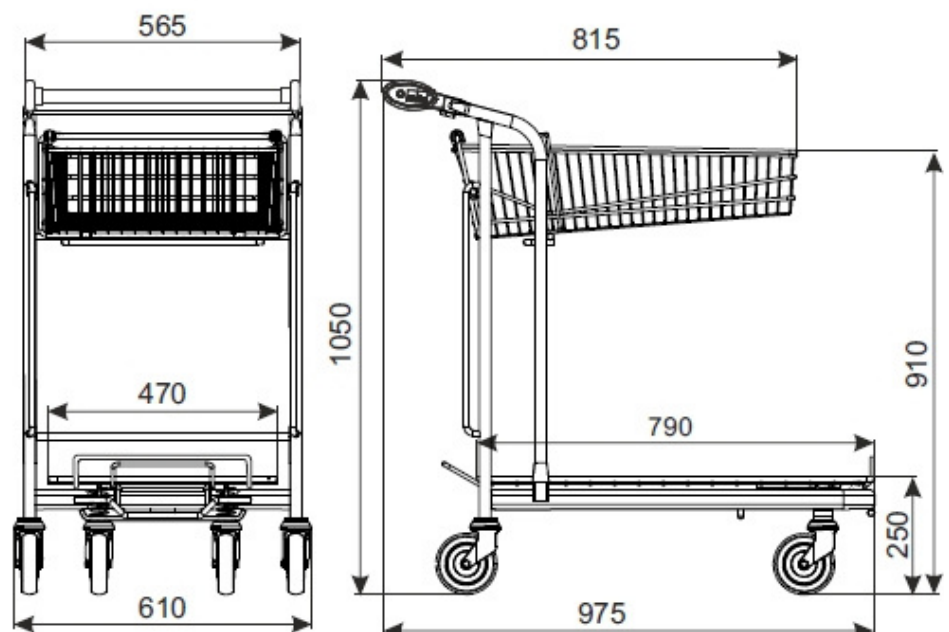


TRANSPORT TROLLEY VARIO WTP-3 FOR TRAVELATOR



TYPE	Vario WTP-3 for travelator
BASKET CAPACITY	45 l
LOADING OF BASKET	45 kg
TOTAL LOADING	130 kg
WHEEL DIAMETER	125 mm
NESTING DISTANCE	285 mm

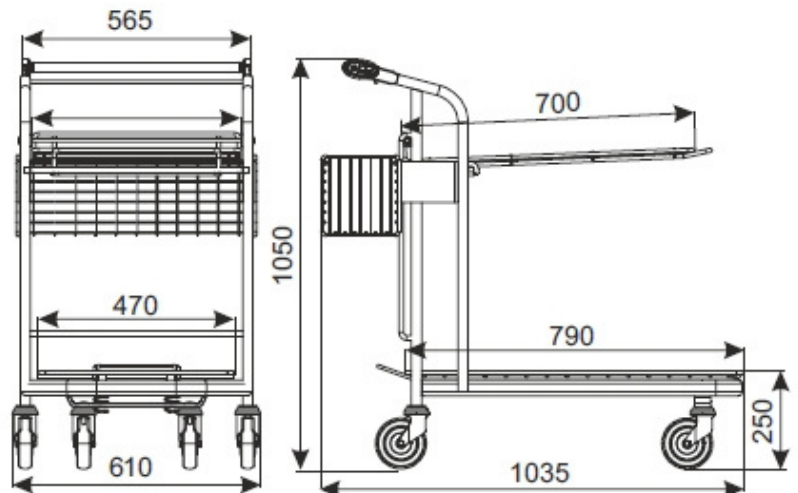
The trolley has wheels for travelator and front stop barrier. Optional accessories (inter alia coin lock, logo and other accessories) require separate arrangements.



TRANSPORT TROLLEY VARIO WTP-3KP (with the shelf and the basket)



TYPE	Vario WTP-3KP
BASKET CAPACITY	20 l
LOADING OF BASKET	20 kg
LOADING OF SHELF	20 kg
TOTAL LOADING	300 kg
WHEEL DIAMETER	125 mm
NESTING DISTANCE	390 mm



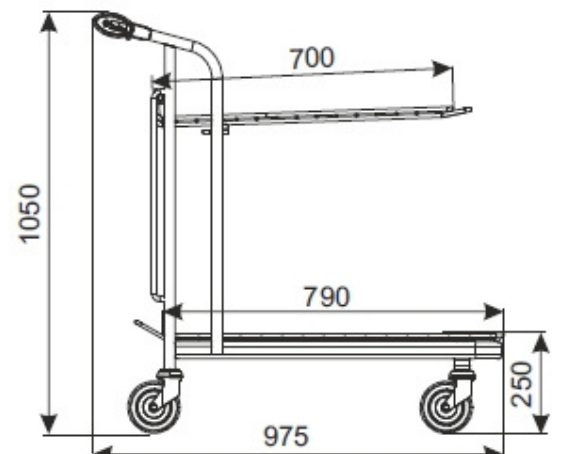
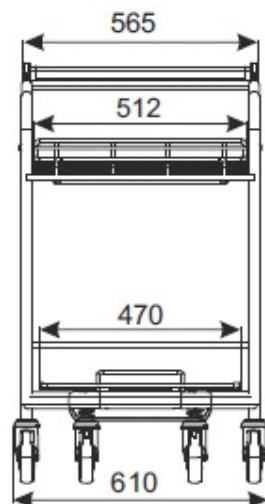
In the standard version shopping trolley has standard wheels. Optional accessories (inter alia wheels with brake, coin lock, logo and other accessories) require separate arrangements.

TRANSPORT TROLLEY VARIO WTP-3D (with wire shelf)



TYPE	Vario WTP-3D
LOADING OF BASKET	20 kg
TOTAL LOADING	300 kg
WHEEL DIAMETER	125 mm
NESTING DISTANCE	285 mm

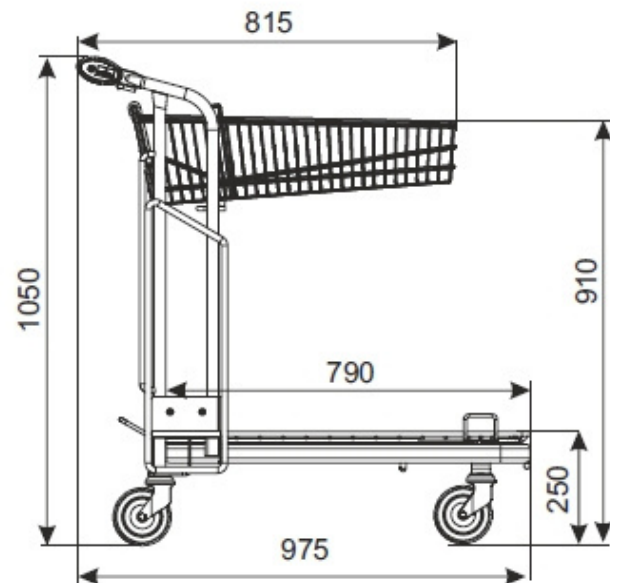
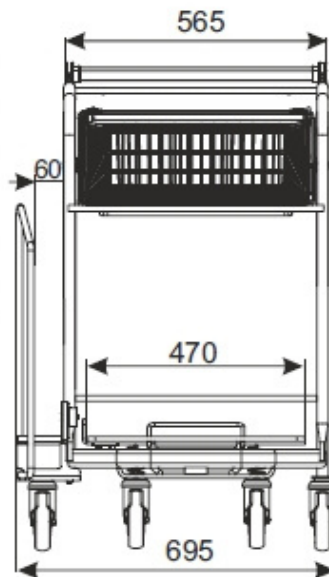
In the standard version shopping trolley has standard wheels. Optional accessories (inter alia wheels with brake, coin lock, logo and other accessories) require separate arrangements.



TRANSPORT TROLLEY VARIO WTP-3A



TYPE	Vario WTP-3A
BASKET CAPACITY	45 l
LOADING OF BASKET	45 kg
LOADING OF	50 kg
ADDITIONAL SIDE SET	
TOTAL LOADING	300 kg
WHEEL DIAMETER	125 mm
NESTING DISTANCE	285 mm



The additional set mounted on the side of the trolley is intended for transport of a long items with dimensions not exceeding 1000mm height and 2400mm length, ie tubes, strips, boards, doors.

Standard finish: galvanized zinc,

In the standard version shopping trolley has standard wheels. Optional accessories (inter alia wheels with brake, coin lock, logo and other accessories) require separate arrangements.

TRANSPORT TROLLEY VARIO WTP4

The trolley has a wire platform, a lower basket and an upper basket. The upper basket can be lifted upwards, which allows to increase the loading area of the wire platform. The mounted actuator prevents the basket from falling spontaneously.

Standard finish: zinc plated+lacquer.

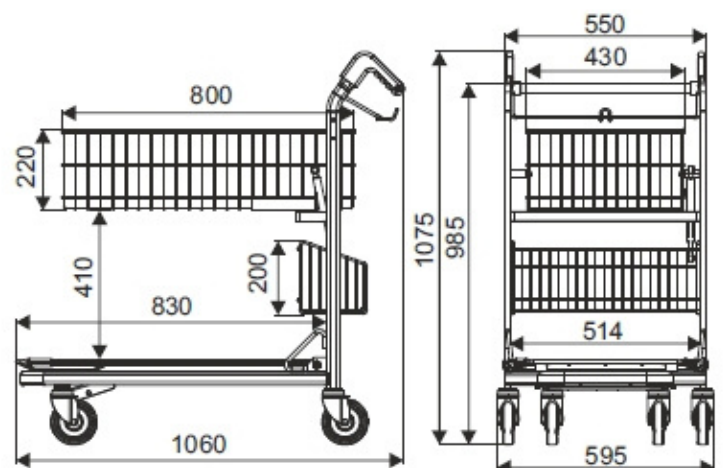


TYPE	Vario WTP4
LOADING OF THE UPPER BASKET	80 kg
LOADING OF THE LOWER BASKET	20 kg
CAPACITY OF THE LOWER BASKET	13 L
TOTAL LOADING	200 kg
WHEEL DIAMETER	125 mm
NESTING DISTANCE	300 mm

Optional equipment:

- the fifth wheel

- Side handle for the coin lock

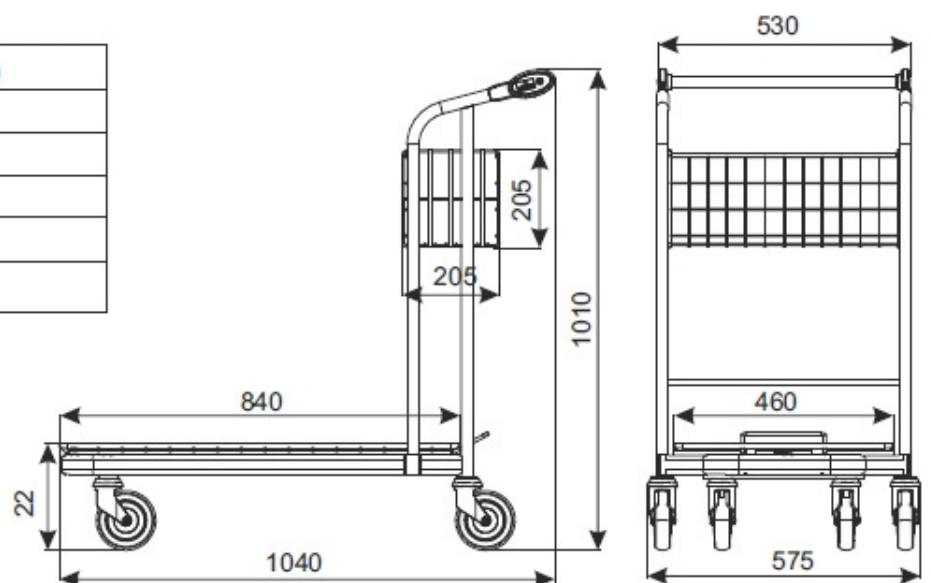


In the standard version shopping trolley has standard wheels. Optional accessories (inter alia wheels with brake, coin lock, logo and other accessories) require separate arrangements.

TRANSPORT TROLLEY VARIO 70 (PN-1)



TYPE	Vario 70 (PN-1)
BASKET CAPACITY	18 l
LOADING OF BASKET	20 kg
TOTAL LOADING	300 kg
WHEEL DIAMETER	125 mm
NESTING DISTANCE	250 mm



TRANSPORT TROLLEY VARIO 90



TYPE	Vario 90
BASKET CAPACITY	32 l
LOADING OF BASKET	32 kg
TOTAL LOADING	300 kg
WHEEL DIAMETER	125 mm
NESTING DISTANCE	270 mm

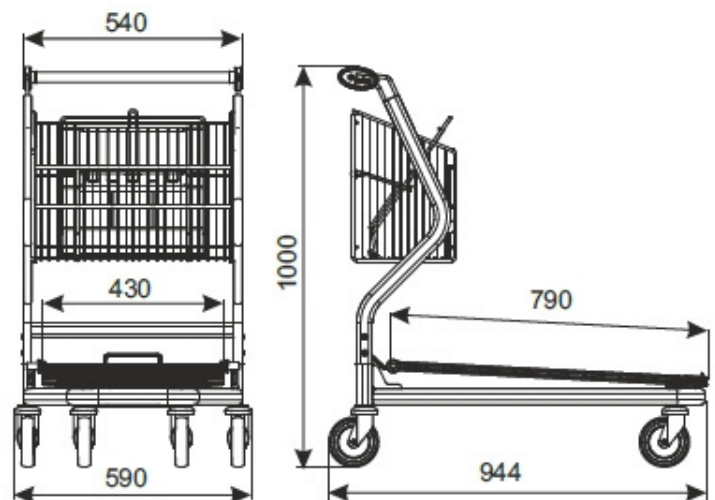
Trolley is available in the option:

- with the wire platform,
- with full platform (platform of plywood, anti-slip, waterproof, double-sided foiled).

Standard finish:

zinc plated, sides are additionally powder coated, what enriches the aesthetics of the trolley and composes with color scheme of the shop.

In the standard version shopping trolley has standard wheels. Optional accessories (inter alia wheels with brake, coin lock, logo and other accessories) require separate arrangements.



TRANSPORT TROLLEY VARIO 90S (with folded basket)



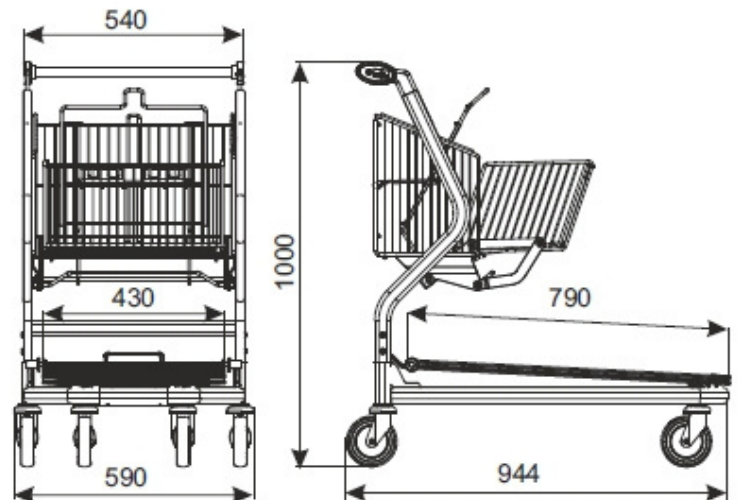
TYPE	Vario 90S
BASKET CAPACITY	30 l (folded basket) 55 l (unfolded basket)
LOADING OF BASKET	40 kg
TOTAL LOADING	300 kg
WHEEL DIAMETER	125 mm
NESTING DISTANCE	270 mm

Standard finish:

zinc plated, sides are additionally powder coated, what enriches the aesthetics of the trolley and composes with color scheme of the shop.

Trolley is available in the option:

- with the wire platform,
- with full platform (platform of plywood, anti-slip, waterproof, double-sided foiled).



In the standard version shopping trolley has standard wheels. Optional accessories (inter alia wheels with brake, coin lock, logo and other accessories) require separate arrangements.



TRANSPORT TROLLEY VARIO 110



TYPE	Vario 110
BASKET CAPACITY	37 l
LOADING OF BASKET	37 kg
TOTAL LOADING	300 kg
WHEEL DIAMETER	125 mm
NESTING DISTANCE	280 mm

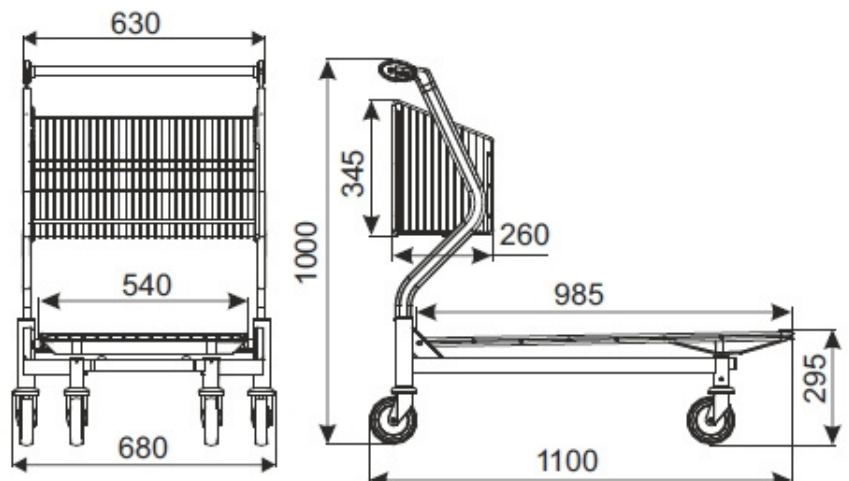
Trolley is available in the option:

- with the wire platform,
- with full platform (platform of plywood, anti-slip, waterproof, double-sided foiled).

Standard finish:

zinc plated, sides are additionally powder coated, what enriches the aesthetics of the trolley and composes with color scheme of the shop.

In the standard version shopping trolley has standard wheels. Optional accessories (inter alia wheels with brake, coin lock, logo and other accessories) require separate arrangements.



TRANSPORT TROLLEY VARIO 110S (with folded basket)



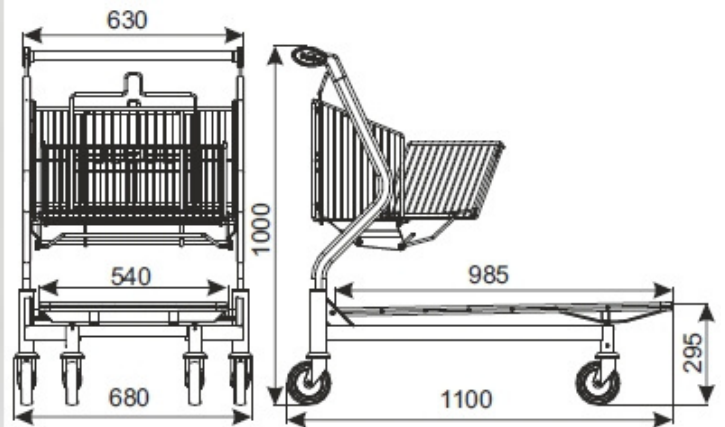
TYPE	Vario 110S
BASKET CAPACITY	40 l (folded basket) 65 l (unfolded basket)
LOADING OF BASKET	40 kg
TOTAL LOADING	300 kg
WHEEL DIAMETER	125 mm
NESTING DISTANCE	280 mm

Trolley is available in the option:

- with the wire platform,
- with full platform (platform of plywood, anti-slip, waterproof, double-sided foiled).

Standard finish:

zinc plated, sides are additionally powder coated, what enriches the aesthetics of the trolley and composes with color scheme of the shop.



unfolded basket

folded basket



In the standard version shopping trolley has standard wheels. Optional accessories (inter alia wheels with brake, coin lock, logo and other accessories) require separate arrangements.

TRANSPORT TROLLEY VARIO 110PK



As a standard is the trolley with one front bar (mounted to the platform).

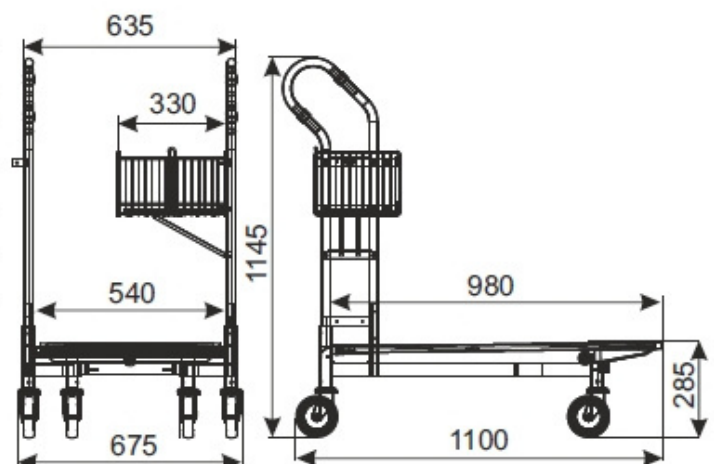
TYPE	Vario 110PK
BASKET CAPACITY	15 l
LOADING OF BASKET	15 kg
TOTAL LOADING	300 kg
WHEEL DIAMETER	125 mm
NESTING DISTANCE	275 mm

Standard finish:

zinc plated, sides are additionally powder coated, what enriches the aesthetics of the trolley and composes with color scheme of the shop.

ADDITIONAL EQUIPMENT:

In the standard version shopping trolley has standard wheels. Optional accessories (inter alia wheels with brake, coin lock, logo and other accessories) require separate arrangements.



TRANSPORT TROLLEY VARIO 115 with fixed basket



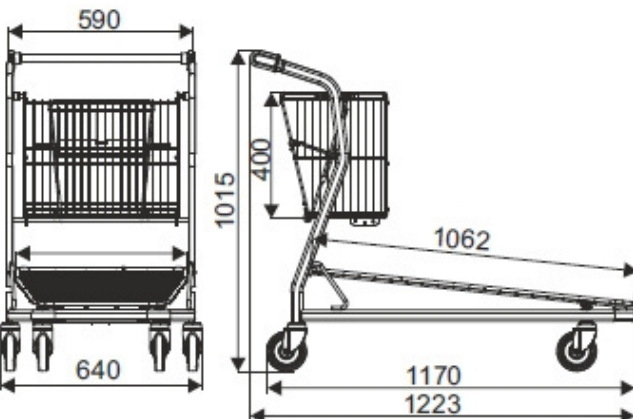
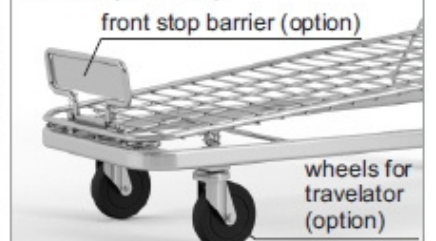
TYPE	Vario 115 (with fixed basket)
BASKET CAPACITY	50 l
LOADING OF BASKET	50 kg
TOTAL LOADING	250 kg
WHEEL DIAMETER	125 mm
NESTING DISTANCE	360 mm

Optional equipment:

- fifth wheel



- set for travelator (wheels for travelator and front stop barrier)



- full platform (platform of plywood, anti-slip, waterproof, double-sided foiled).

full platform (option)



In the standard version shopping trolley has standard wheels. Optional accessories (inter alia wheels for travelator or with brake, coin lock, logo and other accessories) require separate arrangements.

TRANSPORT TROLLEY VARIO 115 with folded basket



Optional equipment:

- full platform (platform of plywood, anti-slip, waterproof, double-sided foiled).

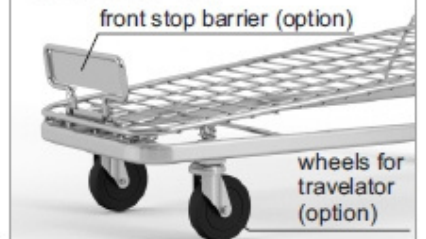


TYPE	Vario 115 (with folded basket)
BASKET CAPACITY	45/ 75l
LOADING OF BASKET	50 kg
TOTAL LOADING	250 kg
WHEEL DIAMETER	125 mm
NESTING DISTANCE	360 mm

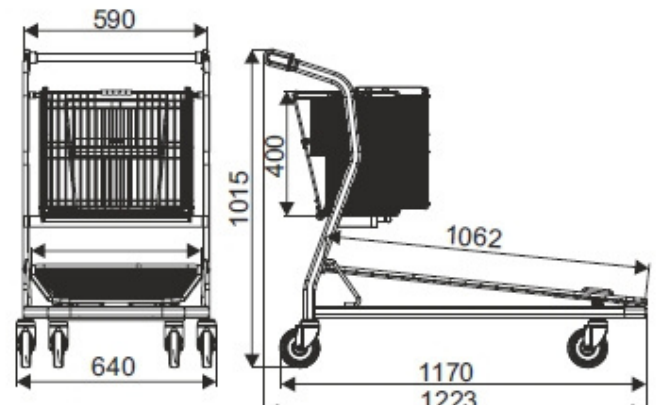
- fifth wheel



- set for travelator (wheels for travelator and front stop barrier)



In the standard version shopping trolley has standard wheels. Optional accessories (inter alia wheels for travelator or with brake, coin lock, logo and other accessories) require separate arrangements.



TRANSPORT TROLLEY VARIO 115 with additional set



The additional set mounted on the side of the trolley is intended for transport of items with dimensions not exceeding 1000mm in height and 2400mm in length, ie.: tubes, strips, boards, doors

The trolley is available in several variants: *with fixed basket with toddler seat*

with fixed basket without toddler seat

with folded basket

Basket:
 - folded,
 - fixed with toddler seat,
 - fixed without toddler seat.

Platform:
 - wire,
 - full (platform of plywood, anti-slip, waterproof, double-sided foiled).



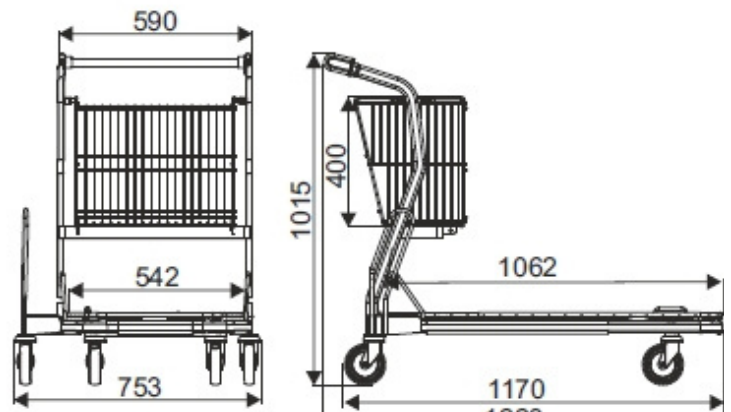
wire platform

full platforma



In the standard version shopping trolley has standard wheels. Optional accessories (inter alia wheels with brake, coin lock, logo and other accessories) require separate arrangements.

TYPE	Vario 115 with additional set
BASKET CAPACITY	50 l
LOADING OF BASKET	50 kg
LOADING OF ADDITIONAL SIDE SET	50 kg
TOTAL LOADING	250 kg
WHEEL DIAMETER	125 mm
NESTING DISTANCE	360 mm



TRANSPORT TROLLEY VARIO 120



TYPE	Vario 120
BASKET CAPACITY	40 l
LOADING OF BASKET	40 kg
TOTAL LOADING	400 kg
WHEEL DIAMETER	160 mm
NESTING DISTANCE	320 mm

Trolley is available in the option:

- with the wire platform,
- with full platform (platform of plywood, anti-slip, waterproof, double-sided foiled).

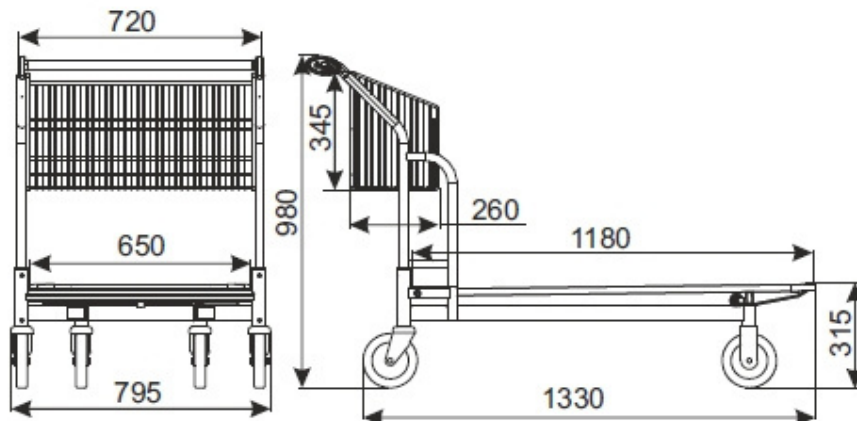
Standard finish:

zinc plated, sides are additionally powder coated, what enriches the aesthetics of the trolley and composes with color scheme of the shop.



In the standard version shopping trolley has standard wheels. Optional accessories (inter alia wheels with brake, coin lock, logo and other accessories) require separate arrangements.

Clipboard A4 for Vario 120 (option)



TRANSPORT TROLLEY VARIO 120S (with folded basket)



TYPE	Vario 120S
BASKET CAPACITY	40 l (folded basket) 70 l (unfolded basket)
LOADING OF BASKET	40 kg
TOTAL LOADING	400 kg
WHEEL DIAMETER	160 mm
NESTING DISTANCE	320 mm

Trolley is available in the option:

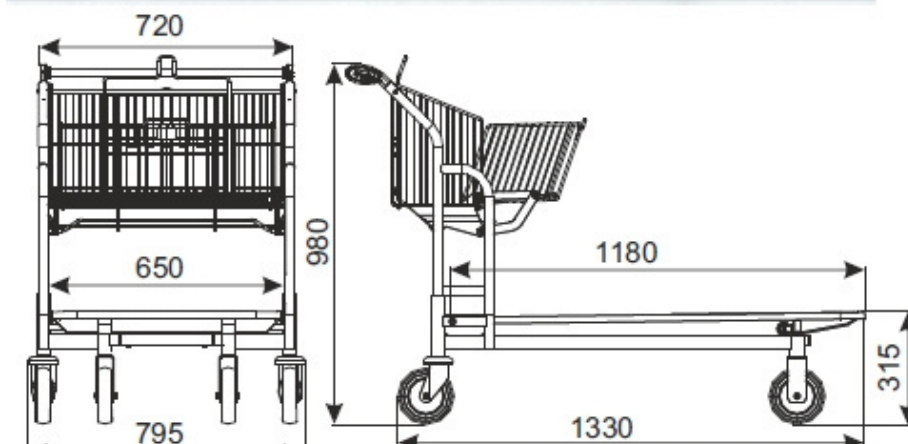
- with the wire platform,
- with full platform (platform of plywood, anti-slip, waterproof, double-sided foiled).



Standard finish:

zinc plated, sides are additionally powder coated, what enriches the aesthetics of the trolley and composes with color scheme of the shop.

In the standard version shopping trolley has standard wheels. Optional accessories (inter alia wheels with brake, coin lock, logo and other accessories) require separate arrangements.



TRANSPORT TROLLEY VARIO 125



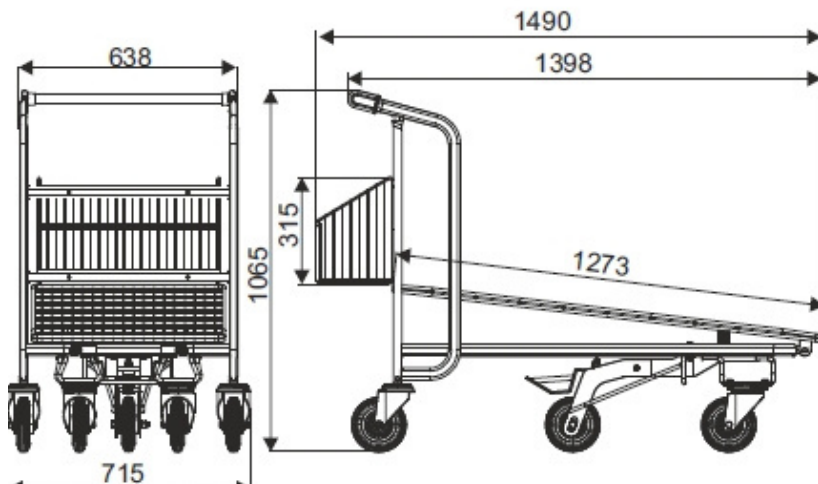
Optional equipment

- full platform (platform of plywood, anti-slip, waterproof, double-sided foiled),
- wire basket,
- fifth wheel.



TYPE	Vario 125
BASKET CAPACITY	27 l
LOADING OF BASKET	30 kg
TOTAL LOADING	350 kg
WHEEL DIAMETER	160 mm
NESTING DISTANCE	370 mm

In the standard version shopping trolley has standard wheels. Optional accessories (inter alia wheels with brake, coin lock, logo and other accessories) require separate arrangements.



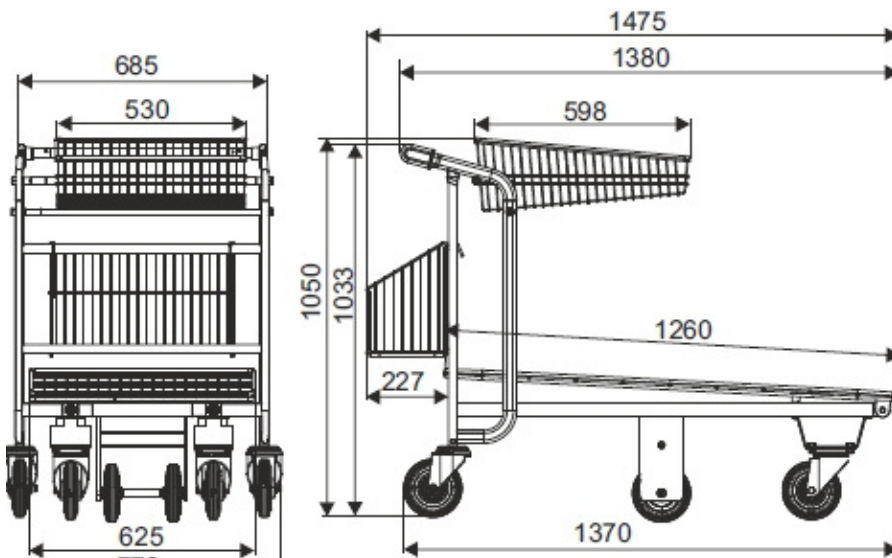
TRANSPORT TROLLEY VARIO 125M



Optional equipment:
- rear basket



TYPE	Vario 125M
LOADING OF THE UPPER BASKET	50 kg
LOADING OF THE REAR BASKET (option)	30 kg
TOTAL LOADING	450 kg
WHEEL DIAMETER	160 mm
NESTING DISTANCE	350 mm



In the standard version shopping trolley has standard wheels. Optional accessories (inter alia wheels with brake, coin lock, logo and other accessories) require separate arrangements.

TRANSPORT TROLLEY CARRY 80

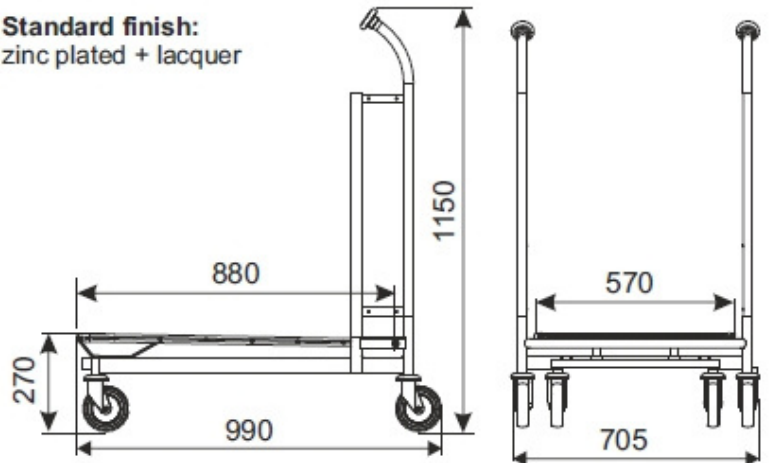


Trolley is available in the option:

- with the wire platform,
- with full platform (platform of plywood, anti-slip, waterproof, double-sided foiled).

TYPE	Carry 80
LOADING	300 kg
WHEEL DIAMETER	125 mm
NESTING DISTANCE	285 mm

Standard finish:
zinc plated + lacquer



ADDITIONAL EQUIPMENT:

In the standard version shopping trolley has standard wheels. Optional accessories (inter alia wheels with brake, coin lock, logo and other accessories) require separate arrangements.

TRANSPORT TROLLEY CARRY 90



As a standard is the trolley with one front bar (mounted to the lifted hatch) or optional without bars.

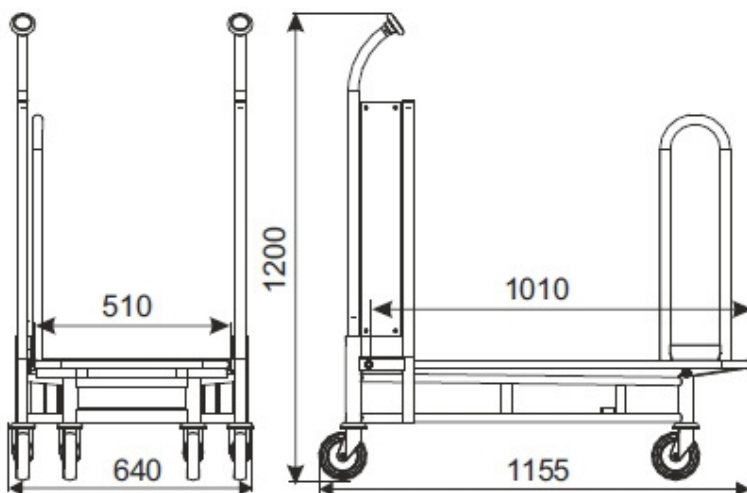
TYPE	Carry 90
LOADING	300 kg
WHEEL DIAMETER	125 mm
NESTING DISTANCE	250 mm

Standard finish:

zinc plated, sides are additionally powder coated, what enriches the aesthetics of the trolley and composes with color scheme of the shop.

ADDITIONAL EQUIPMENT:

In the standard version shopping trolley has standard wheels. Optional accessories (inter alia wheels with brake, coin lock, logo and other accessories) require separate arrangements.



TRANSPORT TROLLEY CARRY 95

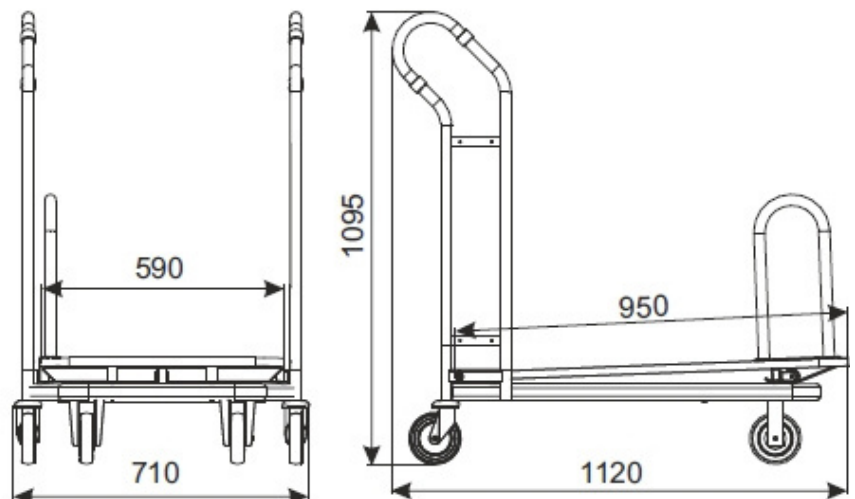


TYPE	Carry 95
LOADING	300 kg
WHEEL DIAMETER	125 mm
NESTING DISTANCE	310 mm

Standard finish:

zinc plated, optionally legs are additionally powder coated.

Trolley with full platforms is available in the option with one bar or without bars.



ADDITIONAL EQUIPMENT:

In the standard version shopping trolley has standard wheels. Optional accessories (inter alia wheels with brake, coin lock, logo and other accessories) require separate arrangements.

TRANSPORT TROLLEY CARRY 100

full platform



Trolley with full platforms is available in the option with one or two front bar (mounted to the lifted hatch) or without bars. Wire platform without bars.

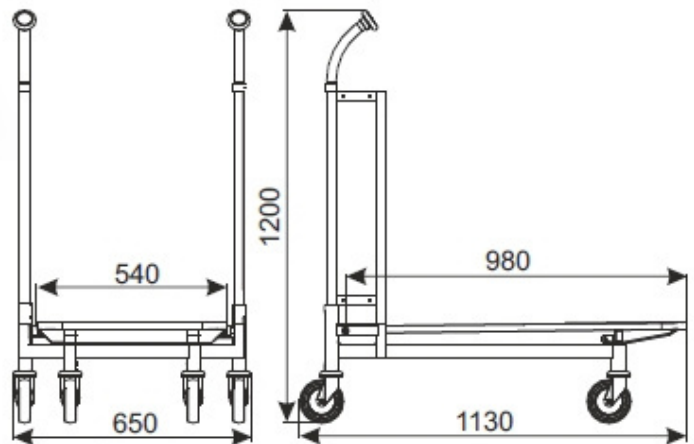
TYPE	Carry 100
LOADING	300 kg
WHEEL DIAMETER	125 mm
NESTING DISTANCE	275 mm

Trolley is available in the option:

- with the wire platform,
- with full platform (platform of plywood, anti-slip, waterproof, double-sided foiled).

Standard finish:

zinc plated, sides are additionally powder coated, what enriches the aesthetics of the trolley and composes with color scheme of the shop.



wire platform



ADDITIONAL EQUIPMENT:

In the standard version shopping trolley has standard wheels. Optional accessories (inter alia wheels with brake, coin lock, logo and other accessories) require separate arrangements.



Bar



Mast

TRANSPORT TROLLEY CARRY 100 FOR TRAVELATOR

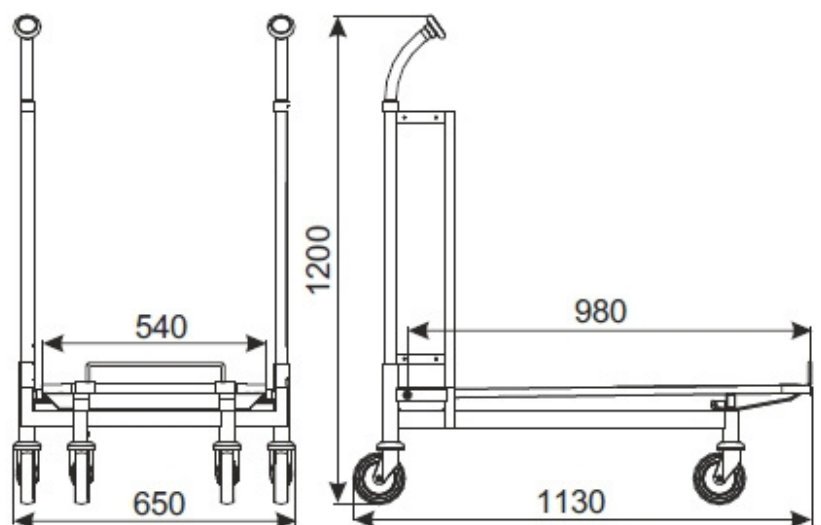


TYPE	Carry 100 for travelator
LOADING	130 kg
WHEEL DIAMETER	125 mm
NESTING DISTANCE	275 mm

The trolley has full platform (platform of plywood, anti-slip, waterproof, double-sided foiled), wheels for travelator and front stop barrier.

Standard finish:

zinc plated, sides are additionally powder coated, what enriches the aesthetics of the trolley and composes with color scheme of the shop.



TRANSPORT TROLLEY CARRY 100ZR (with closed handle)



Trolley is available in the option with one or two front bar (mounted to the lifted hatch) or without bars.

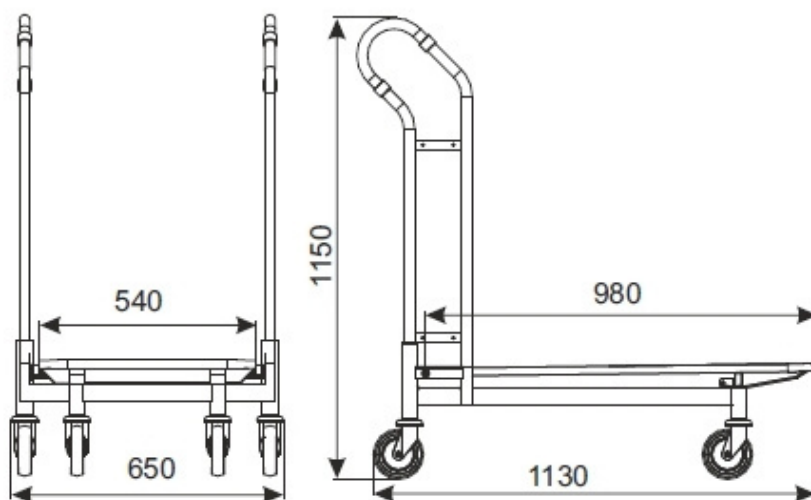
TYPE	Carry 100ZR
LOADING	300 kg
WHEEL DIAMETER	125 mm
NESTING DISTANCE	275 mm

Standard finish:

zinc plated, sides are additionally powder coated, what enriches the aesthetics of the trolley and composes with color scheme of the shop.

ADDITIONAL EQUIPMENT:

In the standard version shopping trolley has standard wheels. Optional accessories (inter alia wheels with brake, coin lock, logo and other accessories) require separate arrangements.



TRANSPORT TROLLEY CARRY 120



Trolley is available in the option:

- with the wire platform,
- with full platform (platform of plywood, anti-slip, waterproof, double-sided foiled).

TYPE	Carry 120
LOADING	400 kg
WHEEL DIAMETER	160 mm
NESTING DISTANCE	320 mm

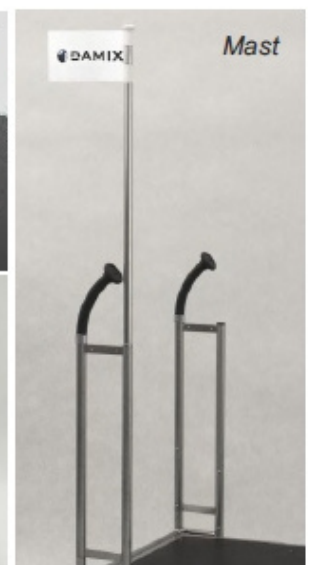
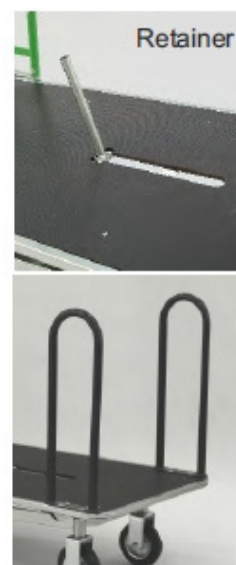
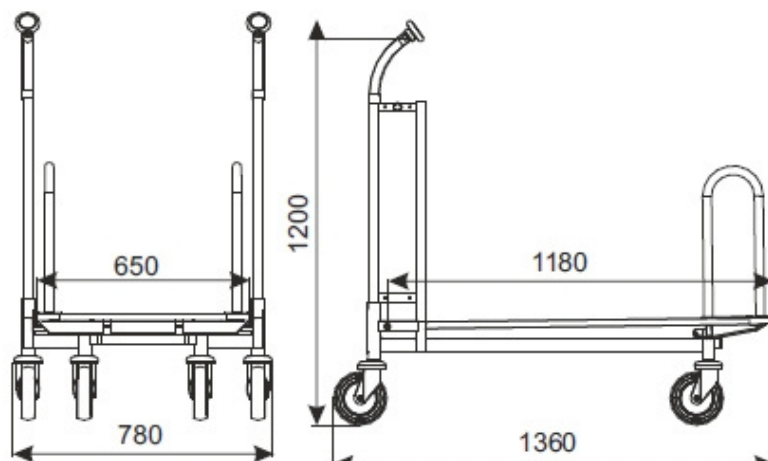
As a standard is the trolley with the wooden platform have two front bars (mounted to the lifted hatch), optional is available with one bar or without bars. Wire platform without bars.

Standard finish:

zinc plated, sides are additionally powder coated, what enriches the aesthetics of the trolley and composes with color scheme of the shop.

ADDITIONAL EQUIPMENT:

In the standard version shopping trolley has standard wheels. Optional accessories (inter alia wheels with brake, coin lock, logo and other accessories) require separate arrangements.

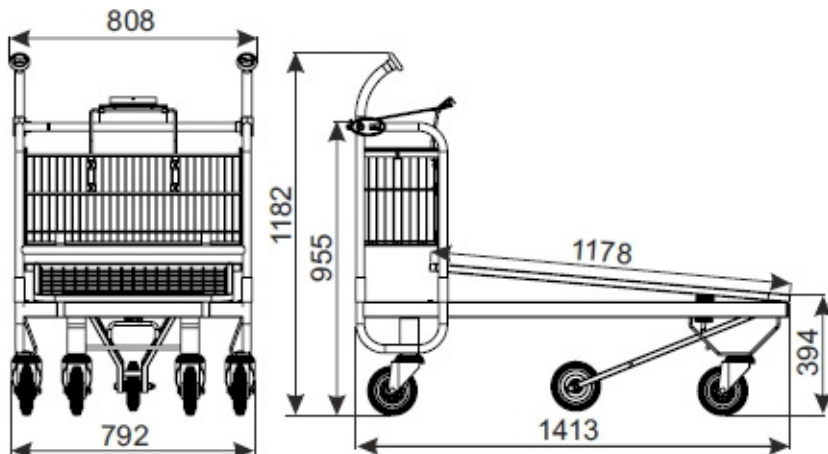


TRANSPORT TROLLEY CARRY 120M



TYPE	Carry 120M
BASKET CAPACITY	50 l
LOADING	500 kg
WHEEL DIAMETER	160 mm
FINISH	zinc plated + thermal setting lacquer
NESTING DISTANCE	340 mm

Additional equipment:
Clipboard A4.



TRANSPORT TROLLEY CARRY 160



As a standard is the trolley with two front bars (mounted to the lifted hatch), optional is available with one bar or without bars.

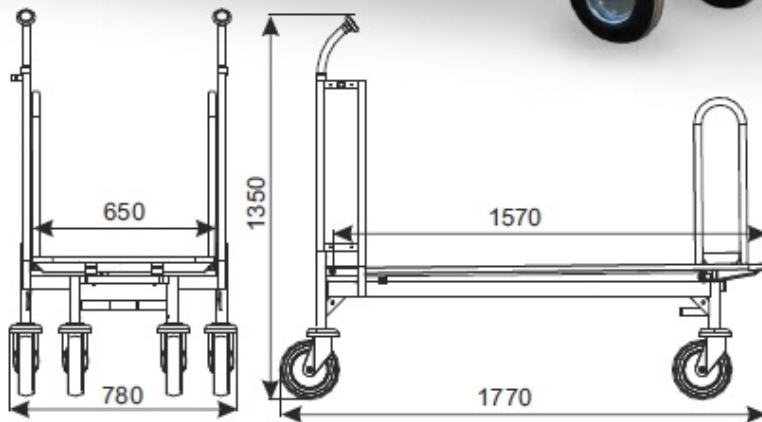
TYPE	Carry 160
LOADING	500 kg
WHEEL DIAMETER	200 mm
NESTING DISTANCE	445 mm

Standard finish:

zinc plated, sides are additionally powder coated, what enriches the aesthetics of the trolley and composes with color scheme of the shop.

ADDITIONAL EQUIPMENT:

In the standard version shopping trolley has standard wheels. Optional accessories (inter alia wheels with brake, coin lock, logo and other accessories) require separate arrangements.



Trolley with mast



Retainer



Bar



TRANSPORT TROLLEY CARRY 160 with the fifth wheel

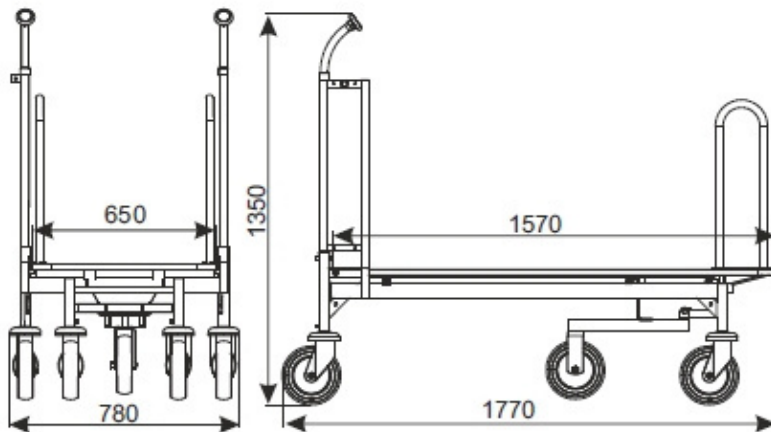


As a standard is the trolley with two front bars (mounted to the lifted hatch), optional is available with one bar or without bars.

TYPE	Carry 160
LOADING	500 kg
WHEEL DIAMETER	200 mm
NESTING DISTANCE	445 mm

Standard finish:

zinc plated, sides are additionally powder coated, what enriches the aesthetics of the trolley and composes with color scheme of the shop.

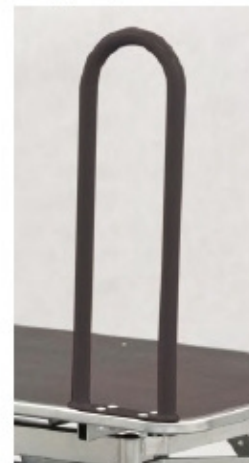


The fifth wheel makes it easy to make turns with the stocked trolley.

ADDITIONAL EQUIPMENT:

In the standard version shopping trolley has standard wheels. Optional accessories (inter alia wheels with brake, coin lock, logo and other accessories) require separate arrangements.

Retainer



Trolley with mast



Bar



PANEL TRANSPORTER CARRY WP1A



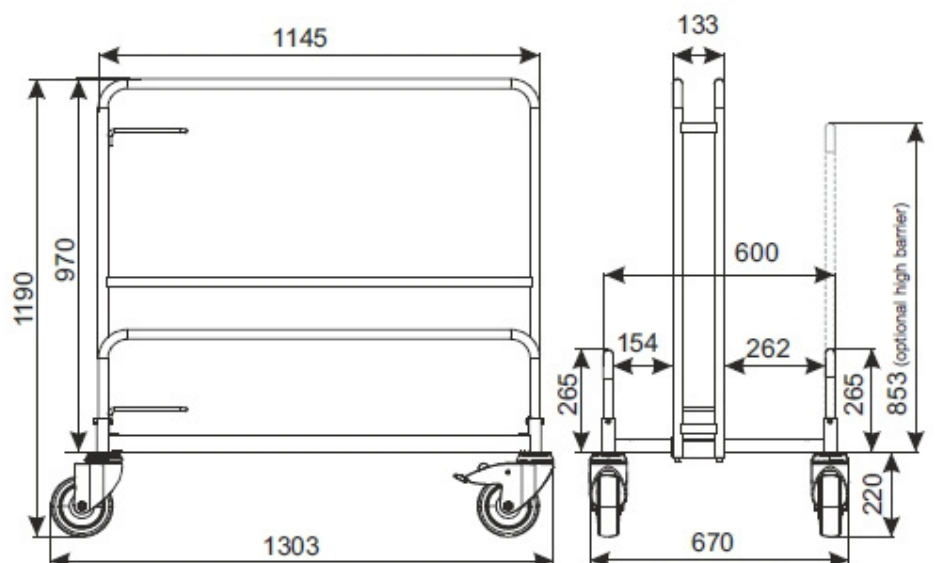
The trolley with a high barrier H- 853



TYPE	Carry WP1A
LOADING	300 kg
WHEEL DIAMETER	160 mm

Trolley for transport of drywall, furniture boards, plywoods, doors, etc. with a height not exceeding 1500 mm.

the trolley is optionally available :
 - with a high barrier H- 853

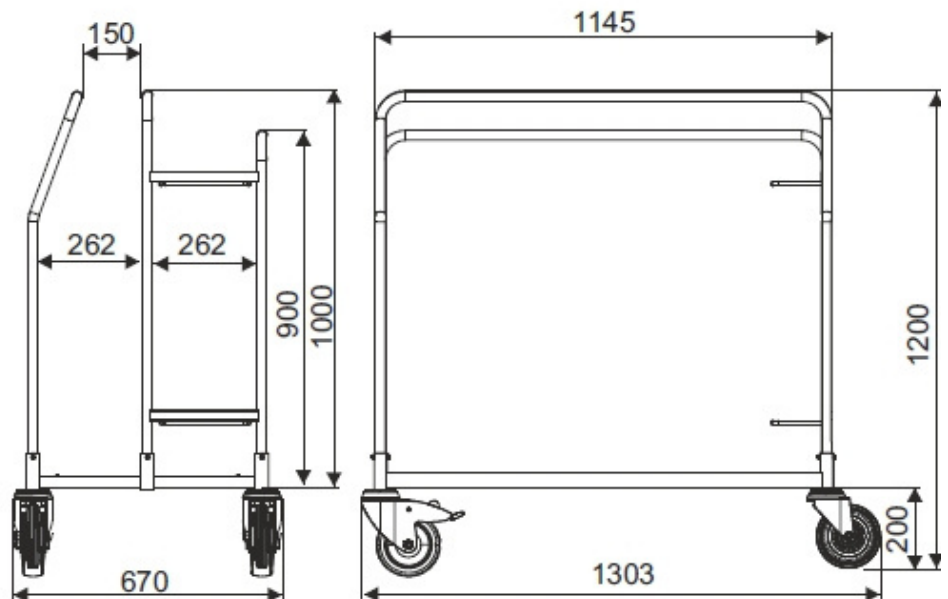


PANEL TRANSPORTER CARRY WP1B



TYPE	Carry WP1B
LOADING	300 kg
WHEEL DIAMETER	160 mm

Trolley for transport of drywall, furniture boards, plywoods, doors, etc. with a height not exceeding 1800 mm.

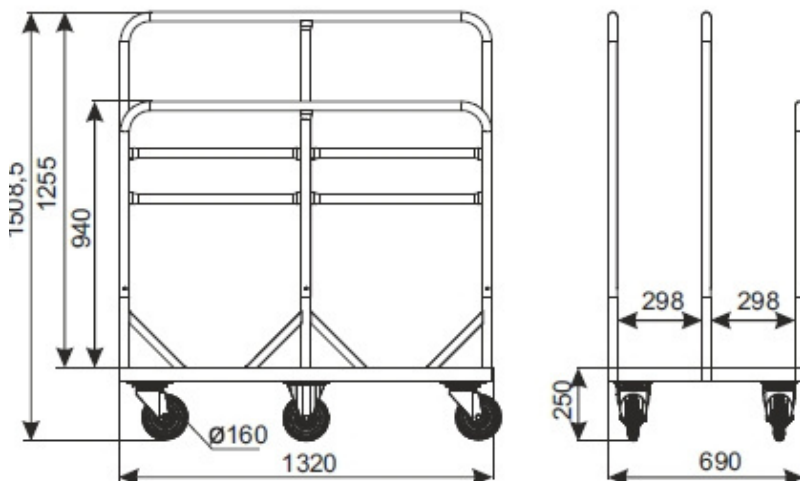


PANEL TRANSPORTER CARRY WP3



TYPE	Carry WP3
TOTAL LOADING	300 kg
LOADING OF BASKET	30kg
WHEEL DIAMETER	160 mm

Trolley for transport of drywall, furniture boards, plywoods, doors, etc. with a height not exceeding 2000 mm.



*Optional equipment:
basket to the transport trolley WP3*

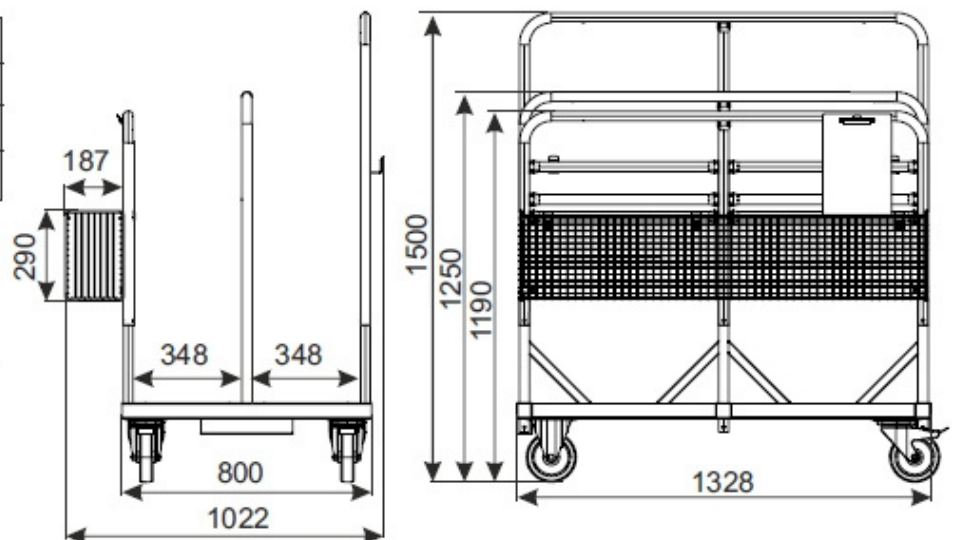


PANEL TRANSPORTER CARRY WP3B



TYPE	Carry WP3B
TOTAL LOADING	300 kg
LOADING OF BASKET	50 kg
WHEEL DIAMETER	160 mm

Trolley for transport of drywall, furniture boards, plywoods, doors, etc. with a height not exceeding 2000 mm, optionally with wire basket.



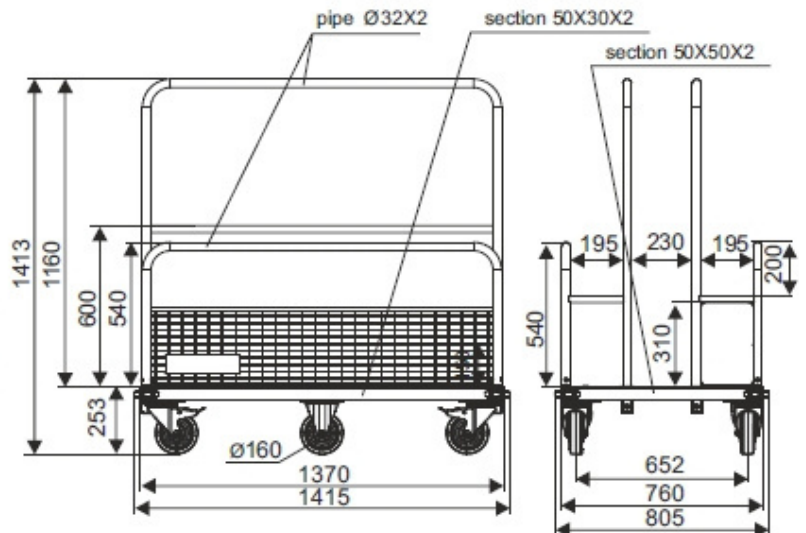
PANEL TRANSPORTER CARRY WP6B



TYPE	Carry WP6B
TOTAL LOADING	350 kg
LOADING OF BASKET	50 kg
WHEEL DIAMETER	160 mm

Trolley for transport of drywall, furniture boards, plywoods, doors, etc. with a height not exceeding 2100mm.

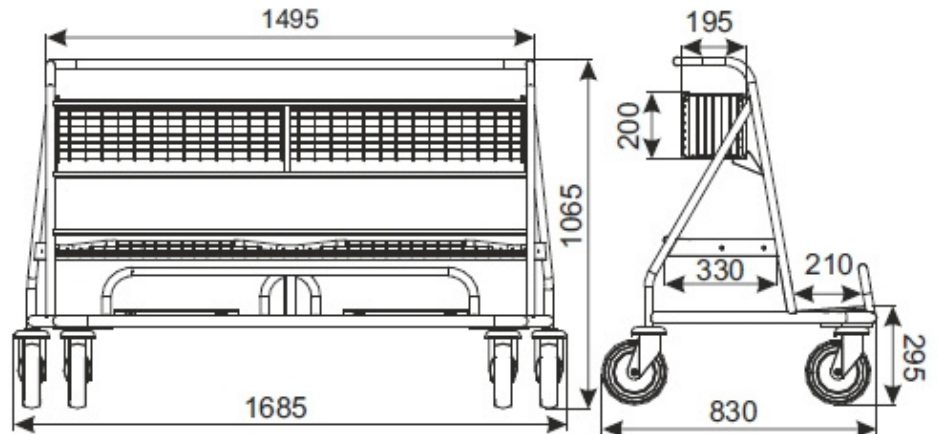
Mounting the railings to the base



PANEL TRANSPORTER CARRY WP4



TYPE	Carry WP4
TOTAL LOADING	300 kg
LOADING OF SHELF	50 kg
LOADING OF BASKET	50 kg
WHEEL DIAMETER	200 mm
NESTING DISTANCE	280 mm



Trolley for transport of drywall, furniture boards, plywoods, doors, etc. with a height of exceeding 1250 mm.

In the standard version, the trolley has 4 swivel wheels, including 1 with a brake.

ADDITIONAL EQUIPMENT:

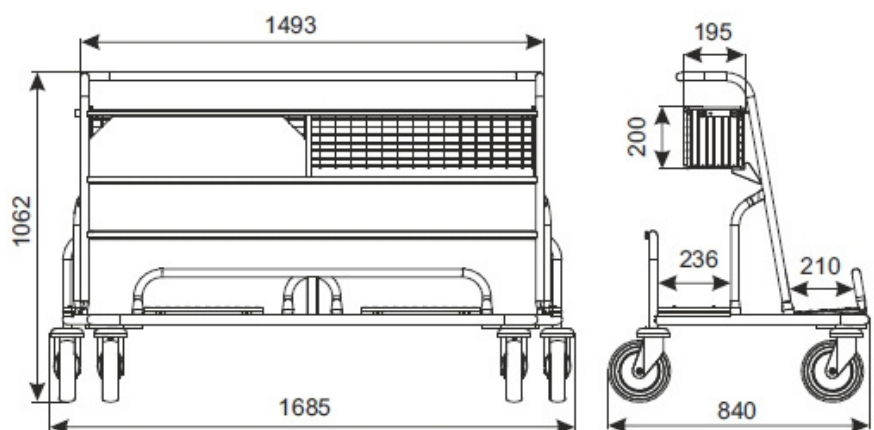
- basket,
- shelf,
- board with logo.

Additionally the trolley is equipped with a wire basket to transport small parts.

PANEL TRANSPORTER CARRY WP4A



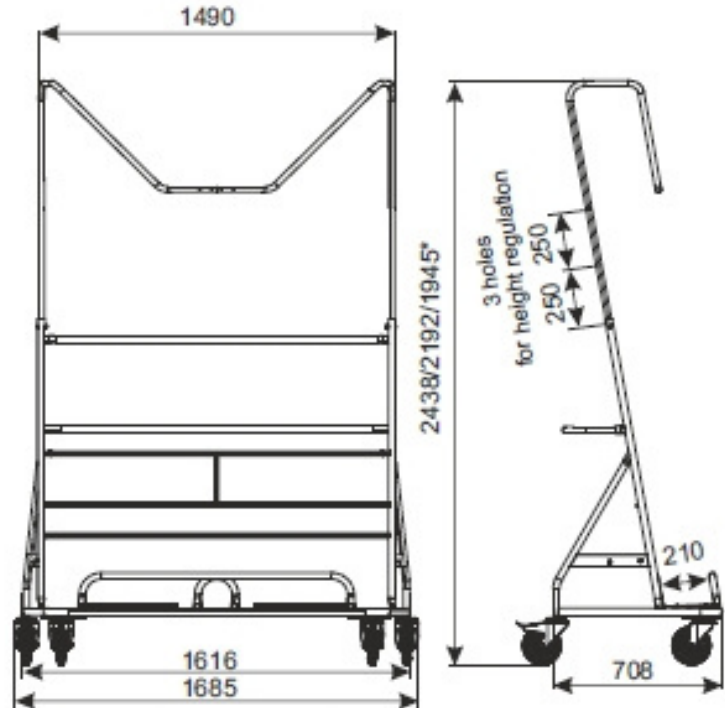
TYPE	Carry WP4A
TOTAL LOADING	300 kg
LOADING OF BASKET	50 kg
WHEEL DIAMETER	200 mm
NESTING DISTANCE	430 mm



Trolley for transport of drywall, furniture boards, plywoods, doors, etc. with a height not exceeding 1250 mm.

Additionally the trolley is equipped with a wire basket to transport small parts.

PANEL TRANSPORTER CARRY WP4BW



* 2438 mm - the first level of regulation (the handle of trolley is mounted on bottom hole)
 2192 mm - the second level of regulation (the handle of trolley is mounted on middle hole)
 1945 mm - the third level of regulation (the handle of trolley is mounted on upper hole)

TYPE	Carry WP4BW
LOADING	200 kg
WHEEL DIAMETER	160 mm
NESTING DISTANCE	280 mm

The trolley is intended to carry cardboard and gypseous plates as well furniture plates, plywoods and door till the height 2100 mm. Optionally the trolley can be equipped with shelf and wire basket for small items.



trolley with a plate

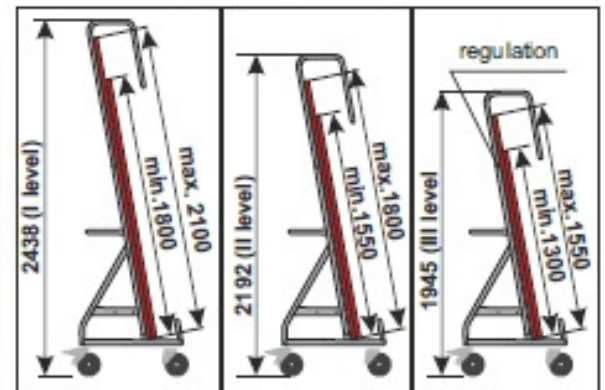
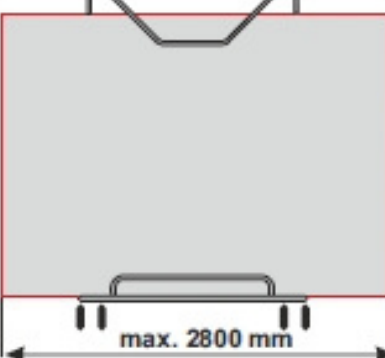
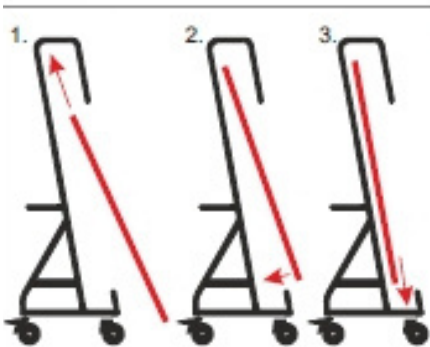


trolley with additional equipment (wire shelf and basket)

Maximum and minimum height of plate for a particular level of regulation:

The way of the plate putting:

The maximum width of plate:

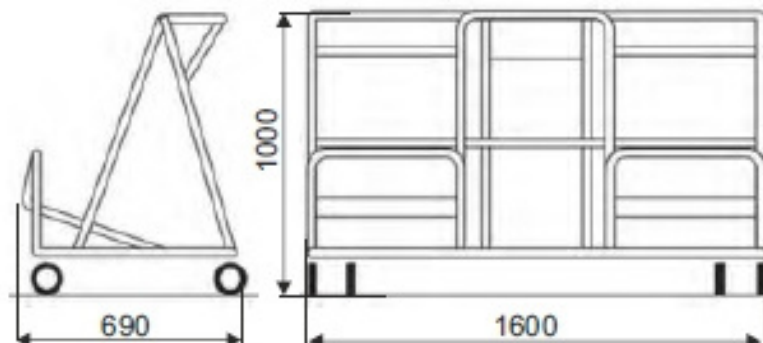


PANEL TRANSPORTER CARRY WP5



It's convenient trolley dedicated for transporting different panels, for example furniture panels, cardboard panels, gypseous panels, plywoods, door, boards. Solid construction of trolleys allows the capacity up to 300 kg. The trolley can be equipped with an antitheft mast with flag.

TYPE	CARRY WP5
TOTAL LOADING	300 kg
WHEEL DIAMETER	160 mm
NESTING DISTANCE	300 mm



Wheels Ø 160 mm - 2 back wheels with brakes ensure the safety of goods on trolley. Coin lock system and the mast anti-theft with customisable flag allow you to be vigilant against theft.

Capacity:

Trolley's dimensions allow to locate large products.

Coating:

Zinc + powder coating

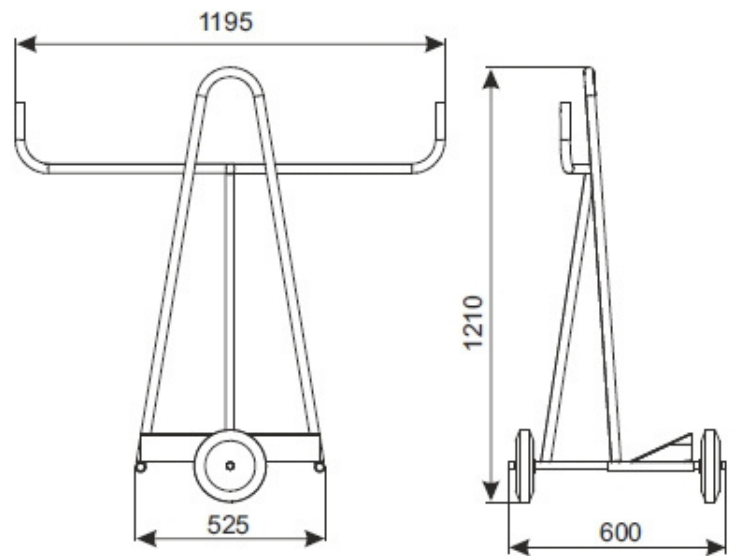
Options:

- one or two baskets,
- metal sheet
- mast with possibility of personalized flag.

SINGLE-AXLE CARRIAGE FOR PANELS



Finish:
Zinc plated
+ powder coating
Wheel diameter: **200 mm**



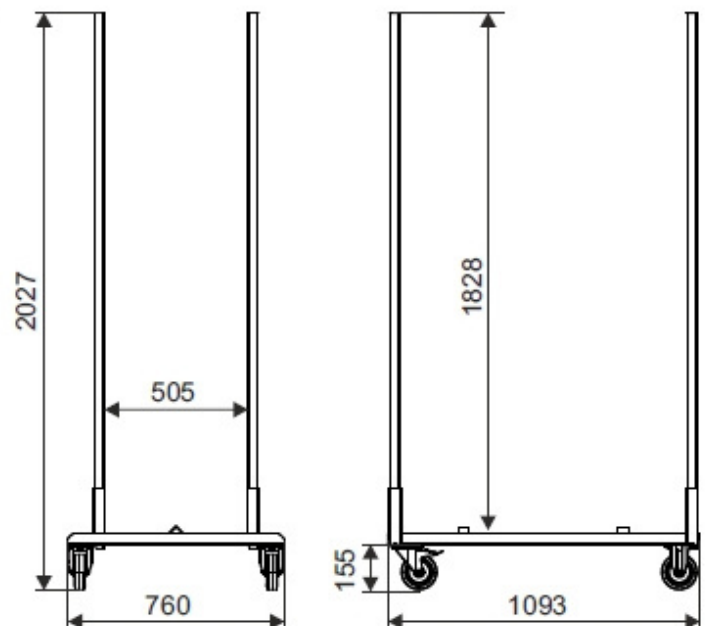
TROLLEY FOR FENCE PANELS



Standard finish: zinc plated + lacquer, frame: hot-dip zinc.

Technical data: Construction made of sections, 4 wheels with a diameter of 125 mm (2 pcs. Fixed castors, 2 pcs. Swivel wheels with brake).

Maximum loading: 100 kg



ACCESSORIES FOR TROLLEYS

Oval handle FG Coex Ergogrip

Available colors: yellow, blue, red, anthracite. With antistatic strip, easy way of changing the graphics, optionally with coin lock.



Other types of handles and coin lock



Plastic elements - a large range of colors



INFO@TOPIKA.SI

Divider for basket Avant 90
Divider for basket
Avant 140/ 215



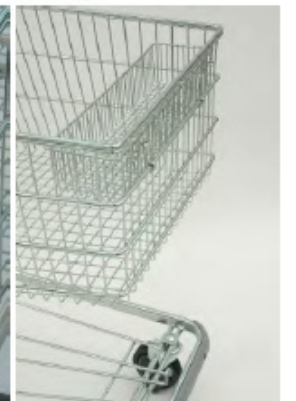
Plastic hook



Advertising frame
(for graphic 277x205 mm),
two-sided



Basket for small
parts to the shopping
trolley



Wheels for trolleys

Different types of wheels, mostly produced by reputable company TENTE: wheels for even surface, plastic wheels, wheels for escalator, wheels with brakes.



Plastic protectors for basket

